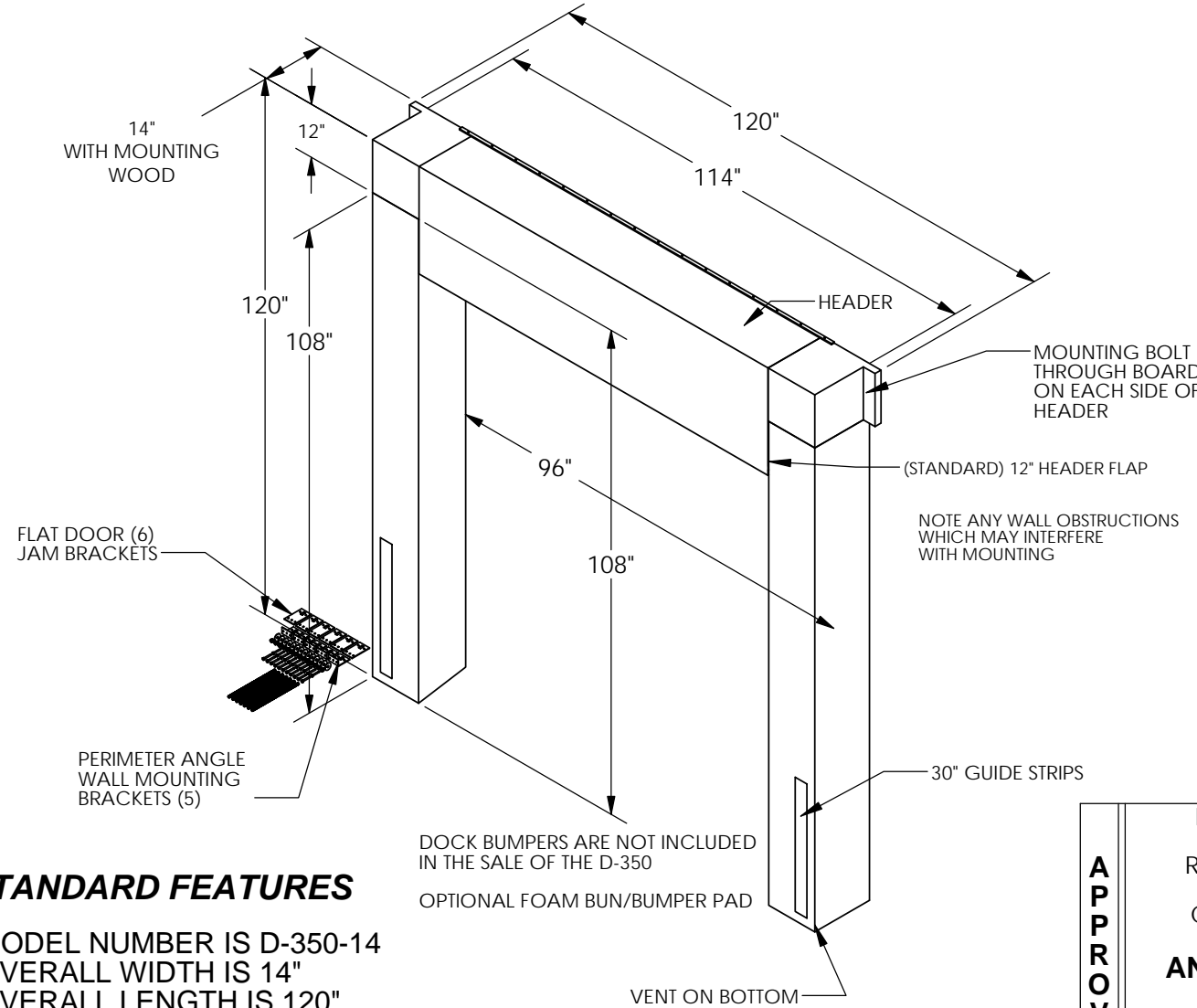


# DOCK SEAL - D-350-14

APPROX WEIGHT: 136.42 lbs.  
 DOES NOT INCLUDE WEIGHT OF POWER OR PACKAGING!!!

\*\*\* ANY ADDITIONS, DELETIONS, OR OMISSIONS MUST BE CORRECTED ON THIS DRAWING AS THIS DRAWING WILL BE CONSIDERED ALL INCLUSIVE \*\*\*

ALL GRAPHICS PROVIDED ARE FOR REFERENCE ONLY. IF CERTAIN DIMENSIONS ARE CRITICAL PLEASE VERIFY THOSE DIMENSIONS WITH YOUR SALESPERSON



## \*OPTIONS:

- FULL HEIGHT GUIDE STRIPS, (30" STANDARD)
  - 18" HIGH HEADER (12 STANDARD)
  - 12" HEADER FLAT
  - BOTTOM FOAM BUN / BUMPER PAD
  - 54 OUNCE FACING
  - SLOPED VERTICAL SIDES DOR INCLINED OR DECLINED DOCK APPROACH
  - ARMOUR PLEATS
    - TOP THREE FEET 8" EXPOSURE
    - FULL HEIGHT 8" EXPOSURE
    - FULL HEIGHT 4" EXPOSURE (MOST PROTECTION)
- \*AVAILABLE AT ADDITIONAL COSTS

**UNIT IS SPECIAL AND NON RETURNABLE**

DIMENSION TOLERANCE  $\pm 1/4"$

## STANDARD FEATURES

MODEL NUMBER IS D-350-14  
 OVERALL WIDTH IS 14"  
 OVERALL LENGTH IS 120"  
 USABLE LENGTH IS 96"  
 OVERALL HEIGHT IS 120"  
 USEABLE HEIGHT IS 108"

## SPECIAL FEATURES

NONE

DOCK BUMPERS ARE NOT INCLUDED IN THE SALE OF THE D-350  
 OPTIONAL FOAM BUN/BUMPER PAD

\*\* ANY ADDITIONS, DELETIONS, OR OMISSIONS MUST BE CORRECTED ON THIS DRAWING, AS THIS DRAWING WILL BE CONSIDERED ALL INCLUSIVE. \*\*

APPROVAL	I, THE UNDERSIGNED, AGREE THAT THE PRODUCT AS REPRESENTED SATISFIES DESIGN AND DIMENSION REQUIREMENTS. I ALSO ACKNOWLEDGE MY DUTY TO CONFIRM PRODUCT AND INSTALLATION COMPLIANCE WITH ALL APPLICABLE FEDERAL, STATE AND LOCAL REGULATIONS AND STANDARDS.	
	<b>ANY MODIFIED UNITS ARE NON-RETURNABLE</b>	
	[ ] As drawn      [ ] As marked	
	Signed: _____	Date: _____
Printed Name: _____		
<b>LEAD TIME WILL START UPON RECEIPT OF SIGNED APPROVAL DRAWING</b>		

FOR INTERNAL USE ONLY PROJECT SIGN OFF	
SALES	
ENG.	
FAB.	
POWER	

DISTRIBUTOR'S NAME:		P.O.#
VESTIL MANUFACTURING		X
DRAWN BY: BCN		W.O.#
DATE: 3/7/2016		X
REFERENCE: X	SCALE: 1:32	SALES: X
QUOTED LEAD TIME: X	QUOTE #	FILE NAME:
	X	35-007-025