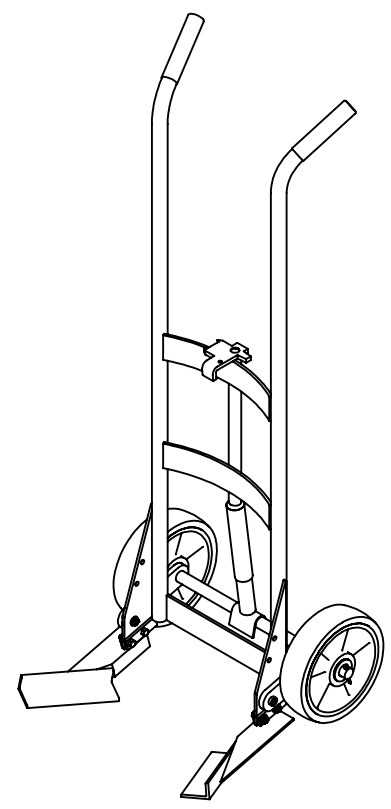
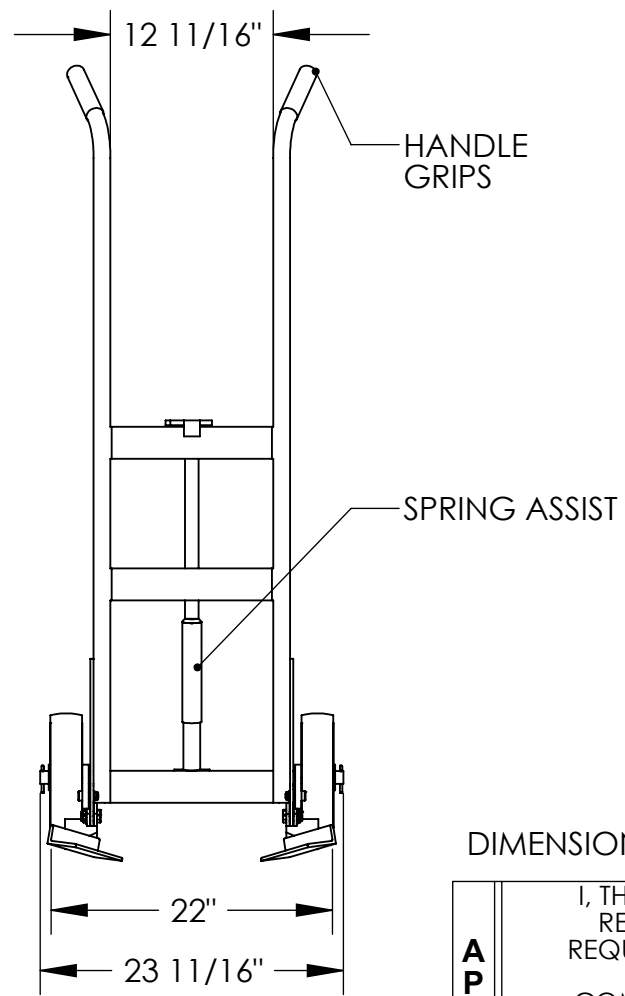
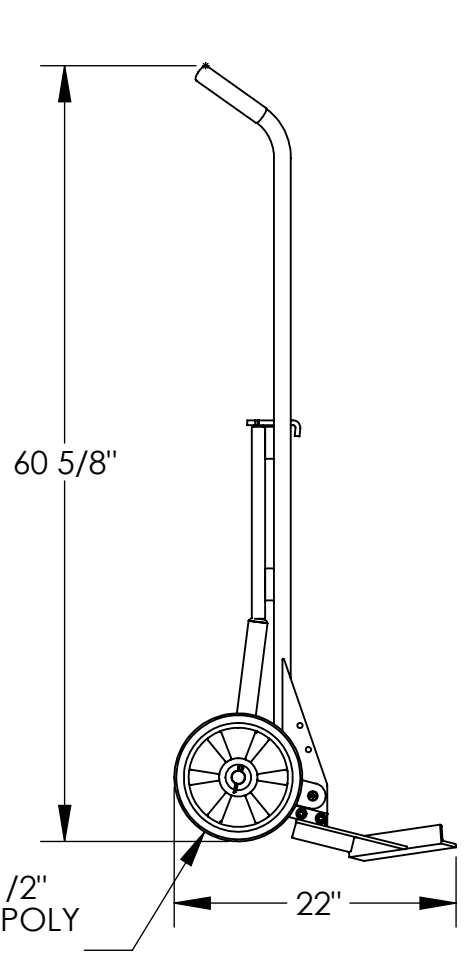


# DRUM TRUCK WITH SPRING ASSIST-DBT-P-SA-PO

APPROX WEIGHT: 62.84 lbs.  
DOES NOT INCLUDE WEIGHT OF POWER OR PACKAGING!!!

\*\*\* ANY ADDITIONS, DELETIONS, OR OMISSIONS MUST BE CORRECTED ON THIS DRAWING AS THIS DRAWING WILL BE CONSIDERED ALL INCLUSIVE \*\*\*  
ALL GRAPHICS PROVIDED ARE FOR REFERENCE ONLY. IF CERTAIN DIMENSIONS ARE CRITICAL PLEASE VERIFY THOSE DIMENSIONS WITH YOUR SALESPERSON



DIMENSION TOLERANCE 1/4"

## STANDARD FEATURES

- MODEL NUMBER IS DBT-P-SA-PO
- OVERALL WIDTH IS 23 11/16"
- USABLE WIDTH IS 22"
- OVERALL LENGTH IS 22"
- OVERALL HEIGHT IS 60 5/8"
- SPRING LOADED AXLE
- Ø10" X 2 1/2" POLY ON POLY WHEELS
- FOR USE WITH PLASTIC DRUMS ONLY
- TOUGH BAKED IN POWDER COATED YELLOW FINISH

## SPECIAL FEATURES

NONE

**ANY MODIFIED UNITS ARE NON-RETURNABLE**

[ ] As drawn      [ ] As marked

Signed: \_\_\_\_\_ Date: \_\_\_\_\_

Printed Name: \_\_\_\_\_

**LEAD TIME WILL START UPON RECEIPT OF SIGNED APPROVAL DRAWING**

DISTRIBUTOR'S NAME:		P.O.#
<b>VESTIL MANUFACTURING</b>		X
DRAWN BY: B.HORN		DATE: 7/16/2016
REFERENCE: X		SALES: X
QUOTED LEAD TIME: X		SCALE: 1:15
QUOTE # X		FILE NAME: 09-007-209

FOR INTERNAL USE ONLY PROJECT SIGN OFF	
SALES	
ENG.	
FAB.	
POWER	

APPROVAL