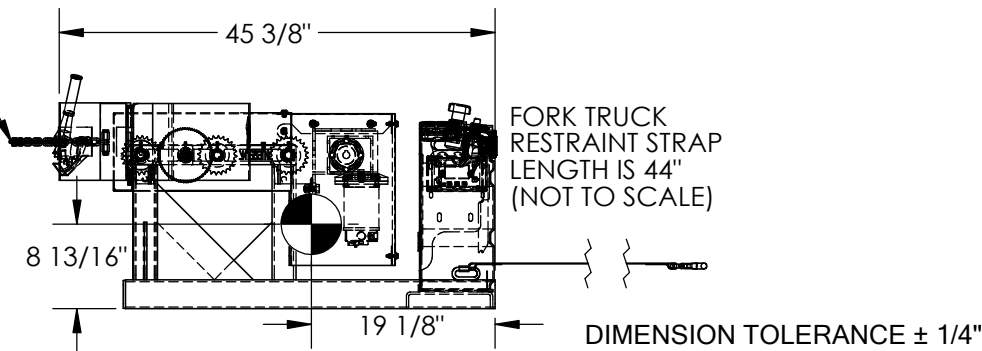
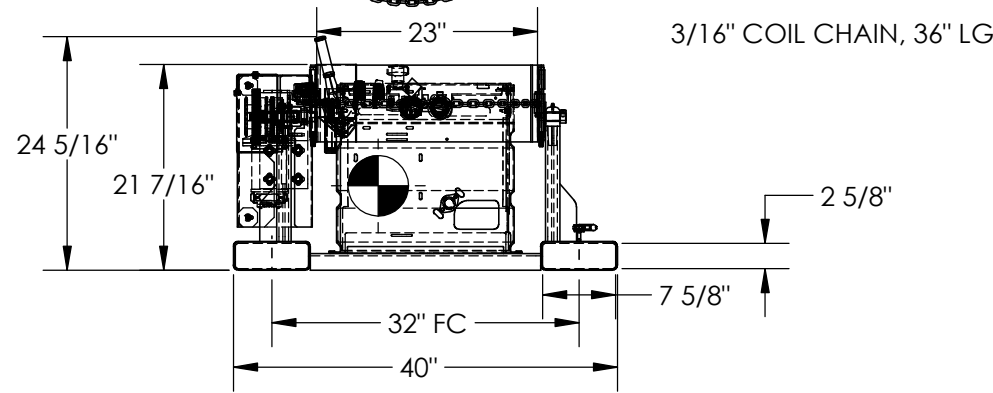
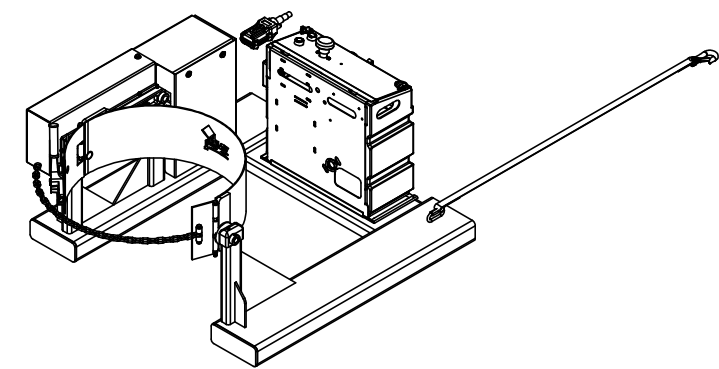
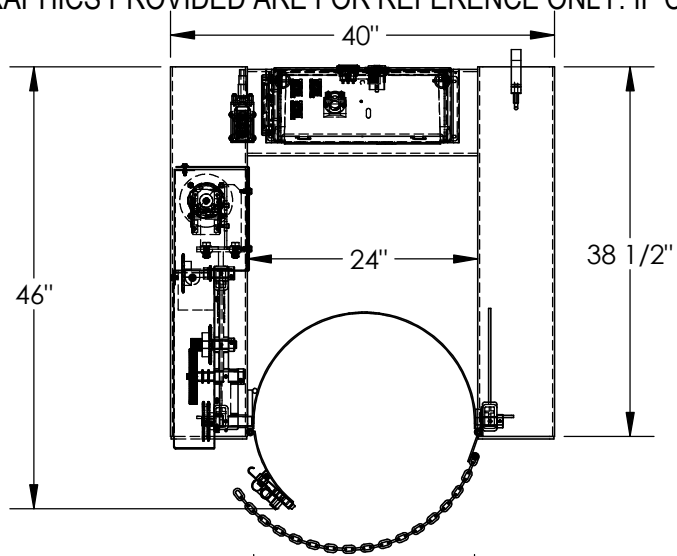


# FORK TRUCK DRUM CARRIER/ROTATOR - DCR-205-12-DC

APPROX WEIGHT: 287.00 lbs.  
DOES NOT INCLUDE WEIGHT OF POWER OR PACKAGING!!!

\*\*\* ANY ADDITIONS, DELETIONS, OR OMISSIONS MUST BE CORRECTED ON THIS DRAWING AS THIS DRAWING WILL BE CONSIDERED ALL INCLUSIVE \*\*\*

ALL GRAPHICS PROVIDED ARE FOR REFERENCE ONLY. IF CERTAIN DIMENSIONS ARE CRITICAL PLEASE VERIFY THOSE DIMENSIONS WITH YOUR SALESPERSON



## STANDARD FEATURES

- MODEL NUMBER IS DCR-205-12-DC
- OVERALL WIDTH IS 40"
- OVERALL LENGTH IS 46"
- OVERALL HEIGHT IS 24 5/16"
- FITS 1- 55 GALLON DRUM
- MAX CAPACITY IS 1,200 LBS.
- FORK TRUCK RESTRAINT CHAIN LENGTH IS 56"
- FORK POCKET CENTER-TO-CENTER IS 32"
- USABLE FORK POCKET SIZE IS 7 5/8" X 2 5/8"
- BUNG WRENCH INCLUDED (NOT SHOWN)
- LOST LOAD IS 275 LBS. (APPROX)
- EFFECTIVE THICKNESS IS FORK LENGTH MINUS 38 1/2"
- HANDHELD PUSH BUTTON CONTROL, W/ 8FT. EXTENDED COIL CORD
- ON BOARD BATTERY CHARGER AND INDICATOR GAUGE
- FRAME IS DURABLE BAKED IN POWDER COATED YELLOW FINISH
- CRADLE IS DURABLE BAKED IN POWDER COATED BLUE FINISH

## SPECIAL FEATURES

- NONE
- APPROX. WEIGHT / LOST LOAD = 287.00
- MINIMUM EFFECTIVE THICKNESS = FORK LENGTH MINUS 38 1/2"
- VERTICAL CENTER OF GRAVITY = 8 13/16"
- HORIZONTAL CENTER OF GRAVITY = 19 1/8"
- NEVER EXCEED LOAD CENTER RATING PER FORKTRUCK MANUFACTURERS GUIDELINES.
- DO NOT USE THIS FORK TRUCK ATTACHMENT IF LOAD WILL EXCEED FORK TRUCK MANUFACTURER'S LOAD CENTER RATING

**APPROVAL**

I, THE UNDERSIGNED, AGREE THAT THE PRODUCT AS REPRESENTED SATISFIES DESIGN AND DIMENSION REQUIREMENTS. I ALSO ACKNOWLEDGE MY DUTY TO CONFIRM PRODUCT AND INSTALLATION COMPLIANCE WITH ALL APPLICABLE FEDERAL, STATE AND LOCAL REGULATIONS AND STANDARDS.

**UNITS REQUIRING APPROVAL DRAWINGS OR MODIFIED ARE NON-RETURNABLE**

As drawn       As marked

Signed: \_\_\_\_\_ Date: \_\_\_\_\_

Printed Name: \_\_\_\_\_

LEAD TIME WILL START UPON RECEIPT OF SIGNED APPROVAL DRAWING

|                      |             |                       |
|----------------------|-------------|-----------------------|
| DISTRIBUTOR'S NAME:  |             | P.O.#                 |
| VESTIL MANUFACTURING |             | X                     |
| DRAWN BY: CRA        |             | W.O.#                 |
| DATE: 9/30/2013      |             | X                     |
| REFERENCE: X         | SCALE: 1:18 | SALES: X              |
| QUOTED LEAD TIME: X  | QUOTE # X   | FILE NAME: 09-007-112 |