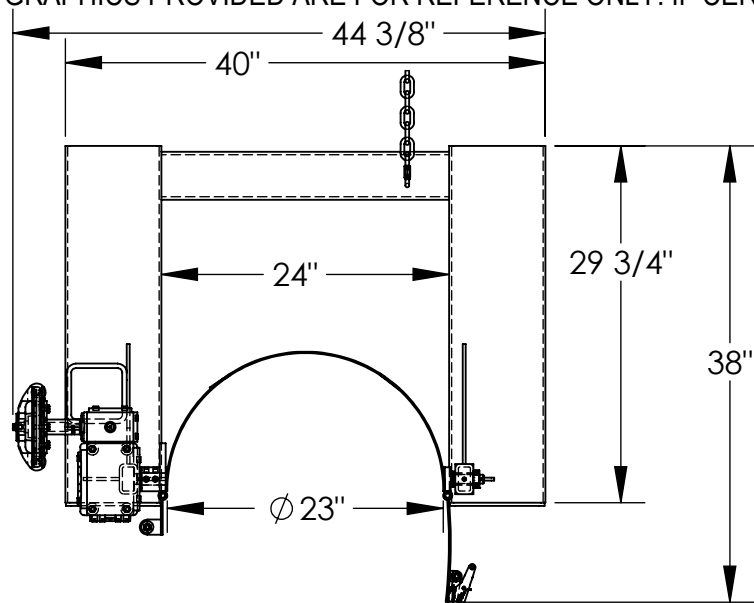


FORK TRUCK DRUM CARRIER/ROTATOR - DCR-205-20

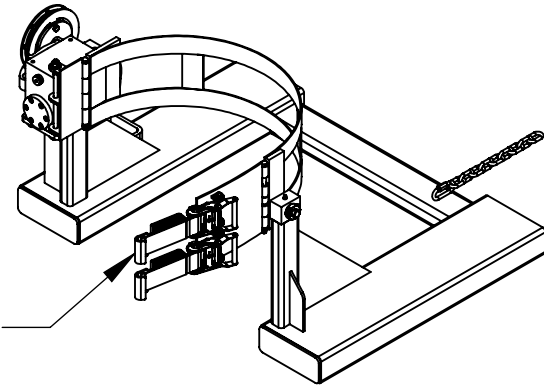
APPROX WEIGHT: 226.35 lbs.
DOES NOT INCLUDE WEIGHT OF POWER OR PACKAGING!!!

*** ANY ADDITIONS, DELETIONS, OR OMISSIONS MUST BE CORRECTED ON THIS DRAWING AS THIS DRAWING WILL BE CONSIDERED ALL INCLUSIVE ***

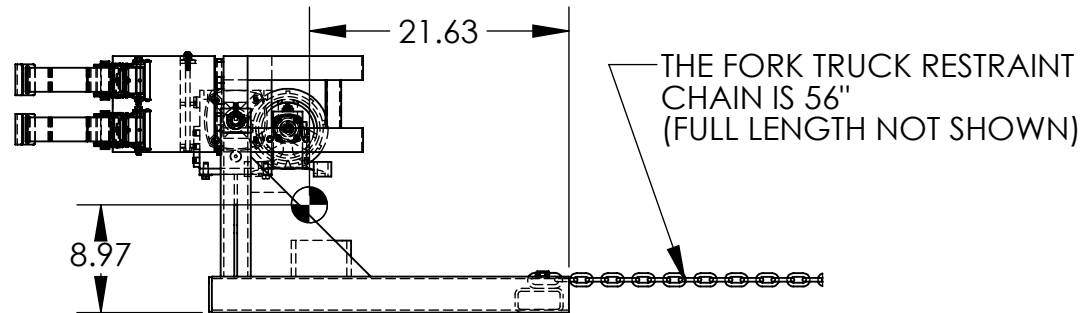
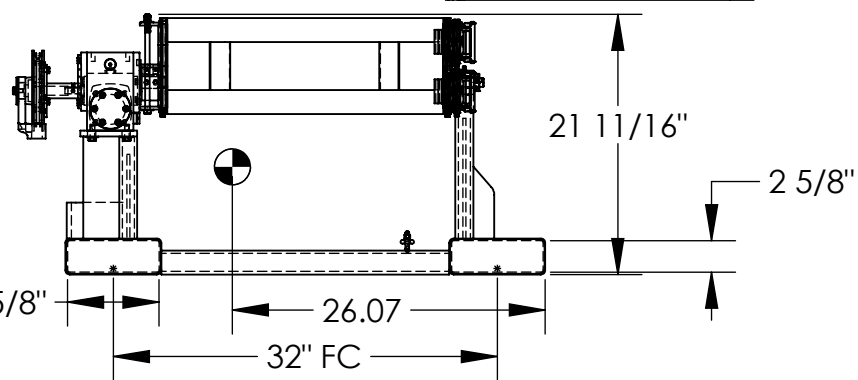
ALL GRAPHICS PROVIDED ARE FOR REFERENCE ONLY. IF CERTAIN DIMENSIONS ARE CRITICAL PLEASE VERIFY THOSE DIMENSIONS WITH YOUR SALESPERSON



NOTE:
2 STAGE WORM GEAR
SPEED REDUCER
RATIO 60:1



(2) 2" X 36"
RATCHET STRAPS



STANDARD FEATURES

MODEL NUMBER IS DCR 205-20
OVERALL WIDTH IS 44 3/8"
OVERALL LENGTH W/ DRUM IS 38"
OVERALL HEIGHT IS 21 11/16"
FITS 1- 55 GALLON DRUM
MAX. CAPACITY IS 2,000 LBS
FORK TRUCK RESTRAINT CHAIN LENGTH IS 56"
15' ROTATION PULL CHAIN (NOT SHOWN)
FORK POCKET CENTER-TO-CENTER IS 32"
USABLE FORK POCKET SIZE IS 7 5/8" X 2 5/8"
BUNG WRENCH INCLUDED (NOT SHOWN)
LOST LOAD IS 229 LBS. (APPROX)
EFFECTIVE THICKNESS IS FORK LENGTH MINUS 29 3/4"
FRAME IS TOUGH BAKED IN POWDER COATED YELLOW FINISH
CRADLE IS TOUGH BAKED IN POWDER COATED BLUE FINISH
NEVER EXCEED LOAD CENTER RATING PER FORK TRUCK MANUFACTURER'S GUIDELINES
DO NOT USE THIS FORK TRUCK ATTACHMENT IF LOAD WILL EXCEED FORK TRUCK
MANUFACTURER'S LOAD CENTER RATING.

SPECIAL FEATURES

NONE

DIMENSION
TOLERANCE ± 1/2"

FOR INTERNAL USE ONLY PROJECT SIGN OFF	
SALES	
ENG.	
FAB.	
POWER	

APPROVAL

I, THE UNDERSIGNED, AGREE THAT THE PRODUCT AS REPRESENTED SATISFIES DESIGN AND DIMENSION REQUIREMENTS. I ALSO ACKNOWLEDGE MY DUTY TO CONFIRM PRODUCT AND INSTALLATION COMPLIANCE WITH ALL APPLICABLE FEDERAL, STATE AND LOCAL REGULATIONS AND STANDARDS.

ANY MODIFIED UNITS ARE NON-RETURNABLE

[] As drawn [] As marked

Signed: _____ Date: _____

Printed Name: _____

LEAD TIME WILL START UPON RECEIPT OF SIGNED APPROVAL DRAWING

DISTRIBUTOR'S NAME:		P.O.#
VESTIL MANUFACTURING		X
DRAWN BY: CRA		W.O.#
DATE: 8/28/2013		X
REFERENCE: X	SCALE: 1:16	SALES: X
QUOTED LEAD TIME: X	QUOTE #	FILE NAME:
	X	09-007-109