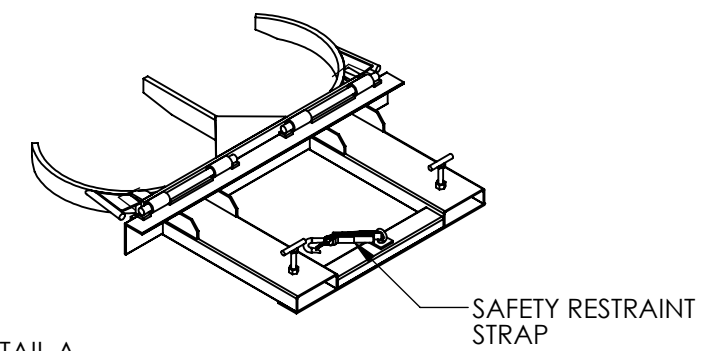
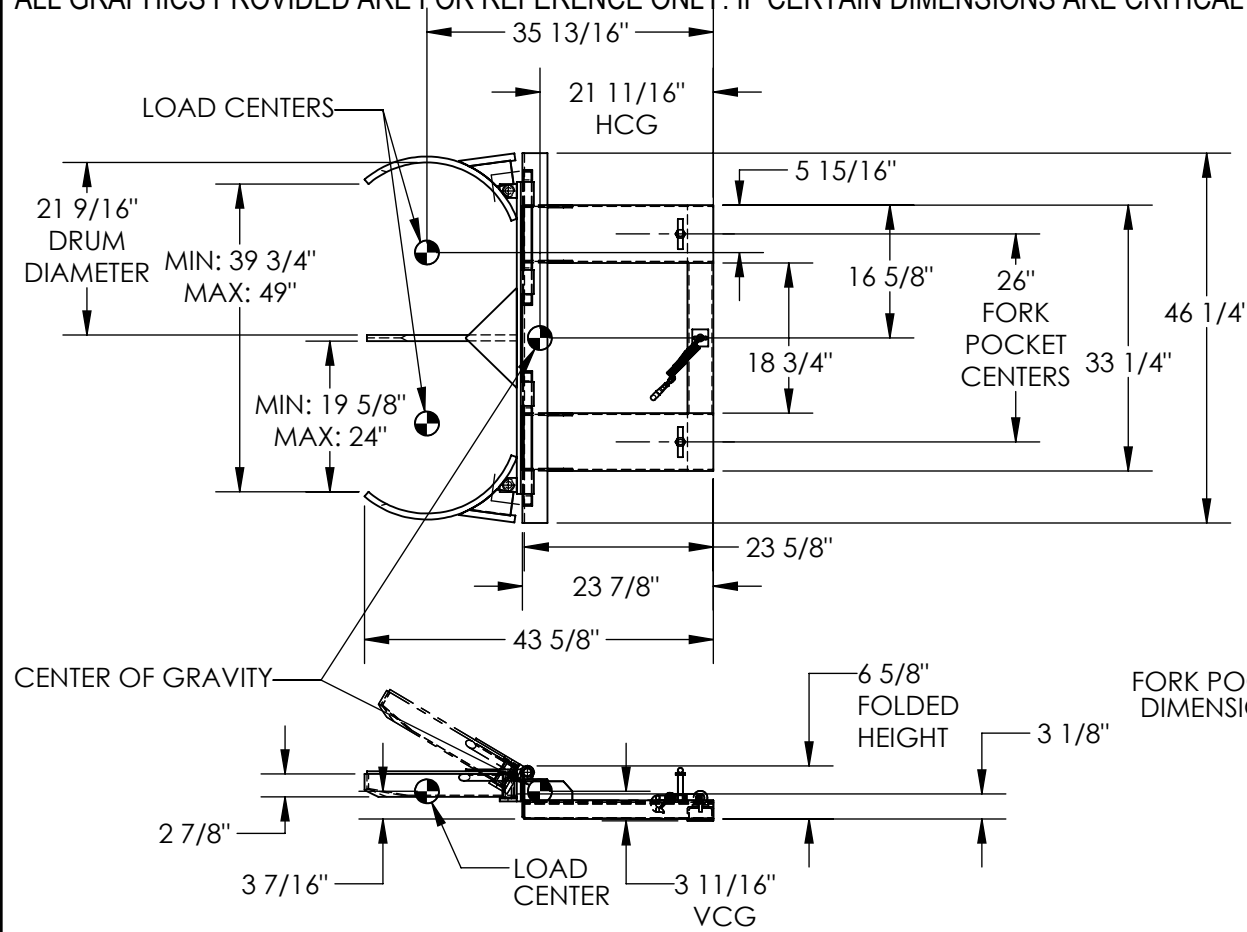


# DRUM GRIPPERS - DGD-55-D

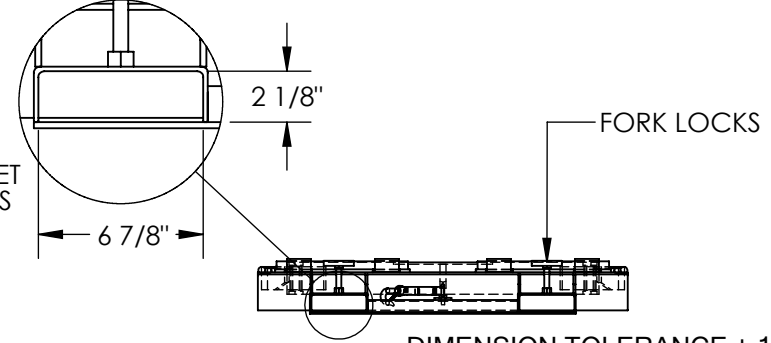
APPROX WEIGHT: 156.10 lbs.  
DOES NOT INCLUDE WEIGHT OF POWER OR PACKAGING!!!

\*\*\* ANY ADDITIONS, DELETIONS, OR OMISSIONS MUST BE CORRECTED ON THIS DRAWING AS THIS DRAWING WILL BE CONSIDERED ALL INCLUSIVE \*\*\*

ALL GRAPHICS PROVIDED ARE FOR REFERENCE ONLY. IF CERTAIN DIMENSIONS ARE CRITICAL PLEASE VERIFY THOSE DIMENSIONS WITH YOUR SALESPERSON



DETAIL A  
SCALE 1 : 8



DIMENSION TOLERANCE ± 1/2"

## STANDARD FEATURES

- MODEL NUMBER IS DGD-55-D
- OVERALL WIDTH IS 46 1/4"
- USABLE WIDTH MIN: 39 3/4", MAX: 49"
- OVERALL LENGTH IS 43 5/8"
- USABLE LENGTH IS 23 5/8"
- OVERALL FOLDED HEIGHT IS 9 3/8"
- MAX UNIFORM CAPACITY IS 2,000 LBS.
- FORK POCKET DIMENSIONS: 6 7/8" x 2 1/8" x 23 5/8"
- DURABLE BAKED IN POWDER COAT YELLOW FINISH

## SPECIAL FEATURES

NONE

APPROX. WEIGHT / LOST LOAD = 156.10  
 MINIMUM EFFECTIVE THICKNESS = FORK LENGTH MINUS 23 5/8"  
 VERTICAL CENTER OF GRAVITY = 3 11/16"  
 HORIZONTAL CENTER OF GRAVITY = 21 11/16"

NEVER EXCEED LOAD CENTER RATING PER FORKTRUCK MANUFACTURERS GUIDELINES.  
 DO NOT USE THIS FORK TRUCK ATTACHMENT IF LOAD WILL EXCEED FORK TRUCK MANUFACTURER'S LOAD CENTER RATING

**APPROVAL**

I, THE UNDERSIGNED, AGREE THAT THE PRODUCT AS REPRESENTED SATISFIES DESIGN AND DIMENSION REQUIREMENTS. I ALSO ACKNOWLEDGE MY DUTY TO CONFIRM PRODUCT AND INSTALLATION COMPLIANCE WITH ALL APPLICABLE FEDERAL, STATE AND LOCAL REGULATIONS AND STANDARDS.  
**UNITS REQUIRING APPROVAL DRAWINGS OR MODIFIED ARE NON-RETURNABLE**  
 As drawn     As marked

Signed: \_\_\_\_\_ Date: \_\_\_\_\_  
 Printed Name: \_\_\_\_\_  
 LEAD TIME WILL START UPON RECEIPT OF SIGNED APPROVAL DRAWING

DISTRIBUTOR'S NAME:		P.O.#
VESTIL MANUFACTURING		X
DRAWN BY: KJY		W.O.#
DATE: 06/25/12		X
REFERENCE: X	SCALE: 1:24	SALES: X
QUOTED LEAD TIME: X	QUOTE # X	FILE NAME:
		09-007-173