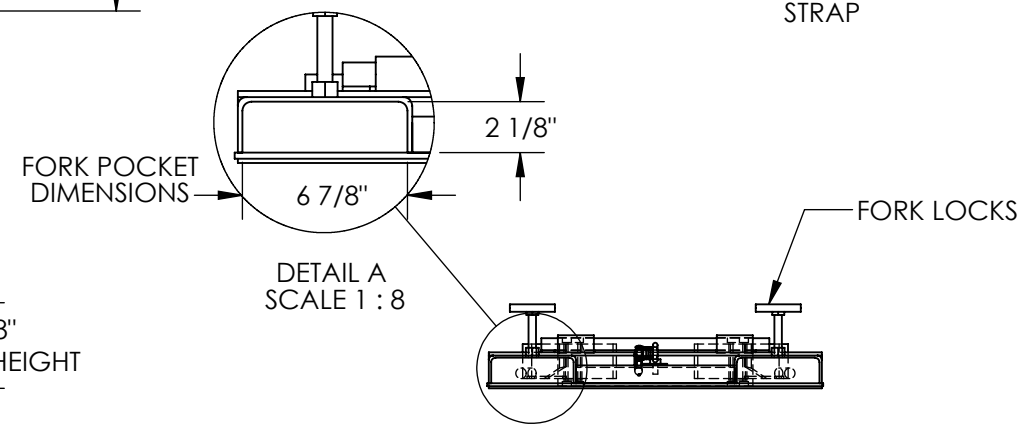
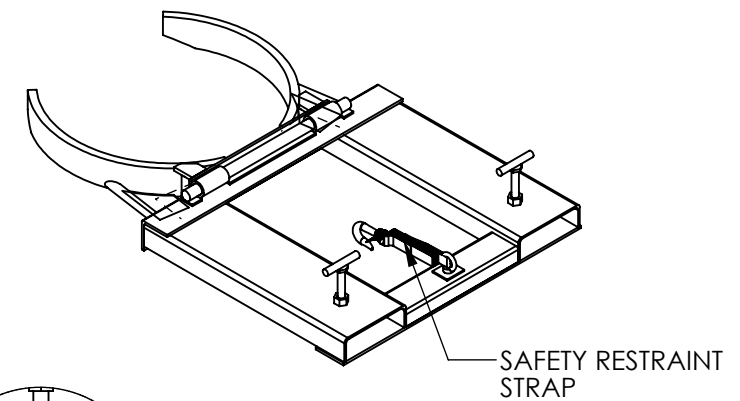
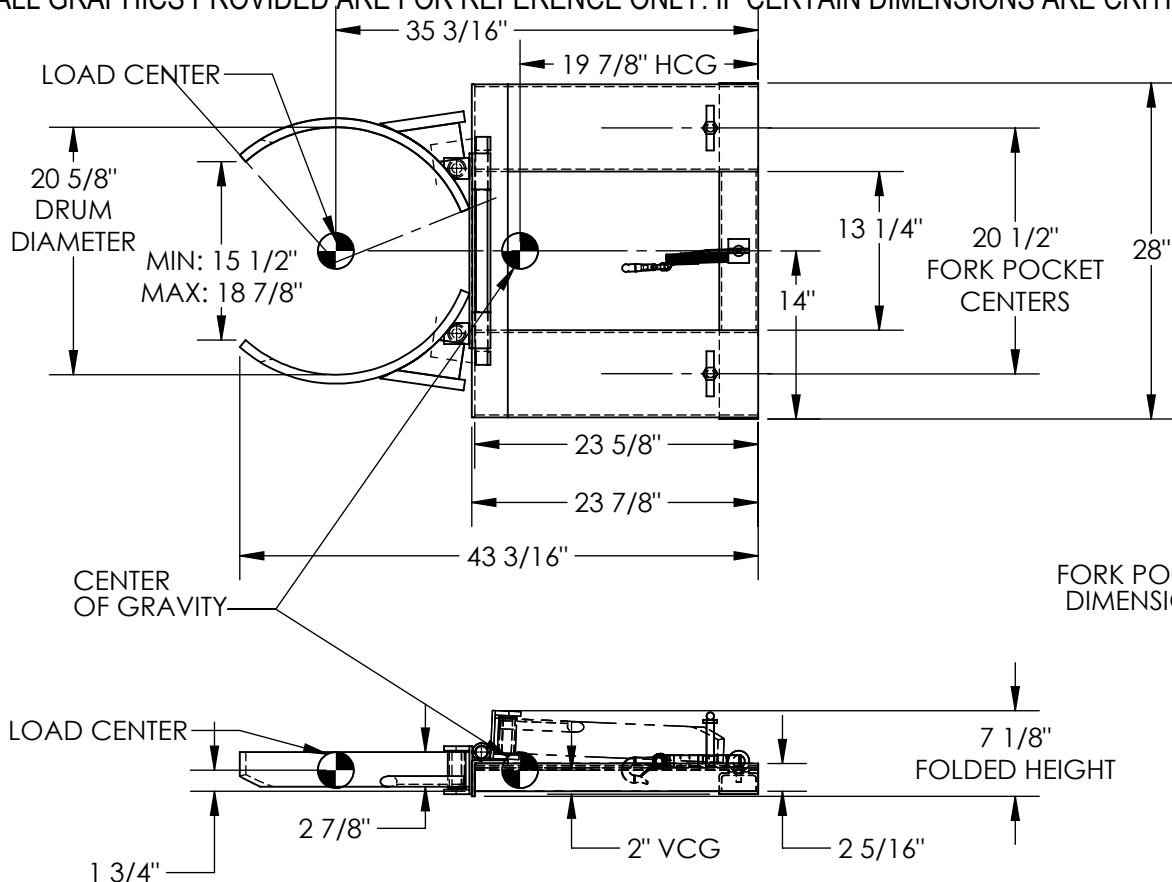


DRUM GRIPPERS - DGS-55-D

APPROX WEIGHT: 99.02 lbs.
 DOES NOT INCLUDE WEIGHT OF POWER OR PACKAGING!!!

*** ANY ADDITIONS, DELETIONS, OR OMISSIONS MUST BE CORRECTED ON THIS DRAWING AS THIS DRAWING WILL BE CONSIDERED ALL INCLUSIVE ***

ALL GRAPHICS PROVIDED ARE FOR REFERENCE ONLY. IF CERTAIN DIMENSIONS ARE CRITICAL PLEASE VERIFY THOSE DIMENSIONS WITH YOUR SALESPERSON



DIMENSION TOLERANCE ± 1/2"

STANDARD FEATURES

- MODEL NUMBER IS DGS-55-D
- OVERALL WIDTH IS 28"
- USABLE WIDTH MIN: 15 1/2"
- MAX: 18 7/8"
- OVERALL LENGTH IS 43 3/16"
- USABLE LENGTH IS 23 5/8"
- FOLDED HEIGHT IS 7 1/8"
- MAX UNIFORM CAPACITY IS 1,500 LBS.
- FORK POCKET DIMENSIONS:
6 7/8" x 2 1/8" x 23 5/8"
- DURABLE BAKED IN POWDER COATED YELLOW

APPROX. WEIGHT / LOST LOAD = 99.02
 MINIMUM EFFECTIVE THICKNESS =
 FORK LENGTH MINUS 23 5/8
 VERTICAL CENTER OF GRAVITY = 2"
 HORIZONTAL CENTER OF GRAVITY = 19 7/8"
 NEVER EXCEED LOAD CENTER
 RATING PER FORKTRUCK
 MANUFACTURERS GUIDELINES.
 DO NOT USE THIS FORK TRUCK
 ATTACHMENT IF LOAD WILL EXCEED
 FORK TRUCK MANUFACTURER'S
 LOAD CENTER RATING

SPECIAL FEATURES

NONE

APPROVAL

I, THE UNDERSIGNED, AGREE THAT THE PRODUCT AS REPRESENTED SATISFIES DESIGN AND DIMENSION REQUIREMENTS. I ALSO ACKNOWLEDGE MY DUTY TO CONFIRM PRODUCT AND INSTALLATION COMPLIANCE WITH ALL APPLICABLE FEDERAL, STATE AND LOCAL REGULATIONS AND STANDARDS.

UNITS REQUIRING APPROVAL DRAWINGS OR MODIFIED ARE NON-RETURNABLE

[] As drawn [] As marked

Signed: _____ Date: _____

Printed Name: _____

LEAD TIME WILL START UPON RECEIPT OF SIGNED APPROVAL DRAWING

DISTRIBUTOR'S NAME:		P.O.#
VESTIL MANUFACTURING		X
DRAWN BY: KJY		DATE: 06/22/12
REFERENCE: X		SCALE: 1:16
QUOTED LEAD TIME: X		QUOTE # X
		SALES: X
		FILE NAME: 09-007-172