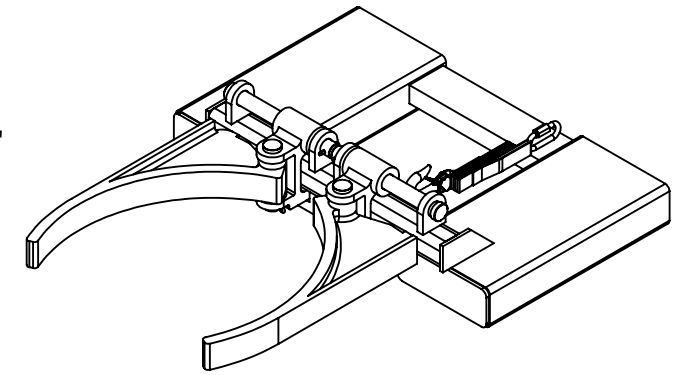
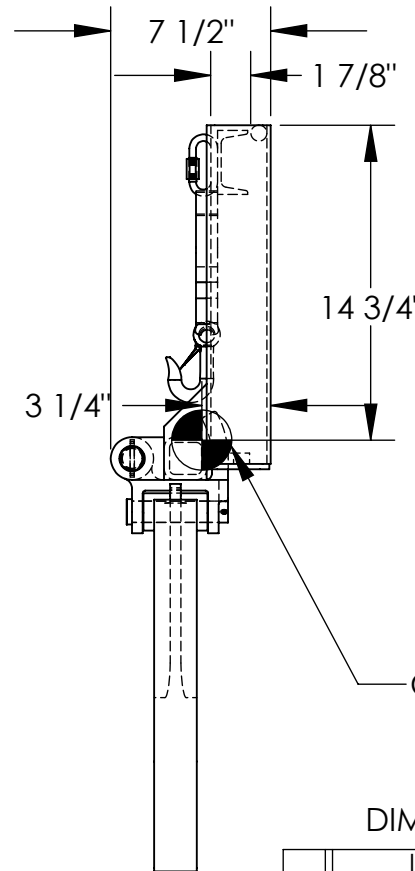
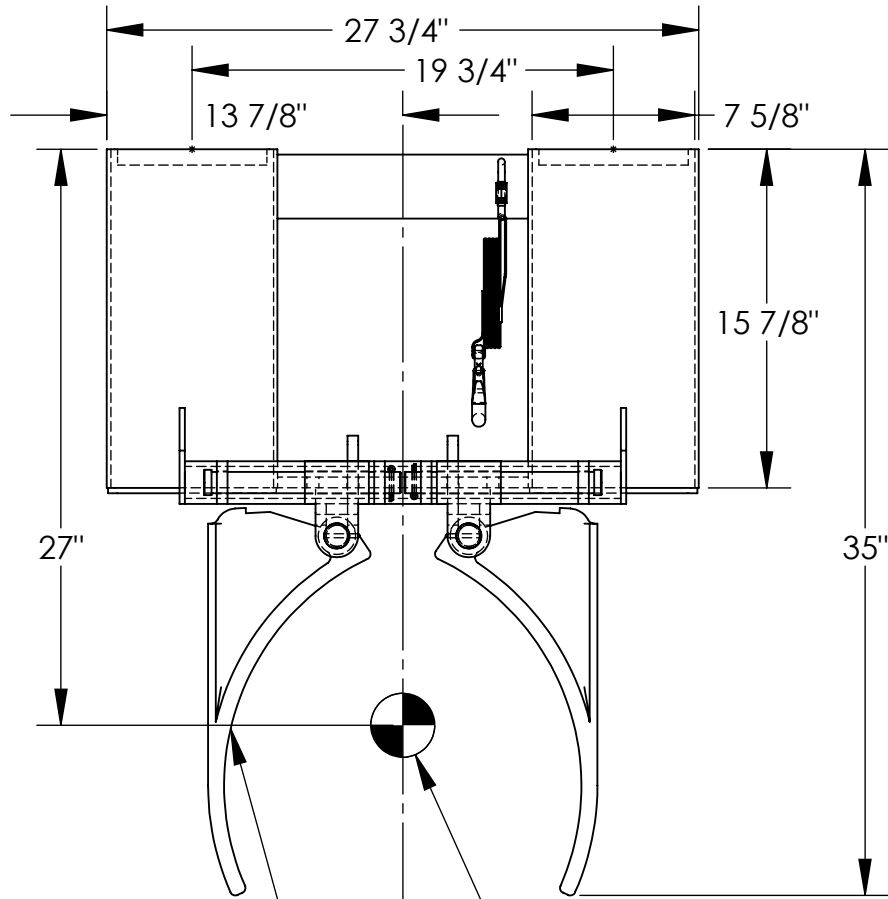


# SINGLE DRUM GRIPPER - DGS-A

APPROX WEIGHT: 106.34 lbs.  
DOES NOT INCLUDE WEIGHT OF POWER OR PACKAGING!!!

\*\*\* ANY ADDITIONS, DELETIONS, OR OMISSIONS MUST BE CORRECTED ON THIS DRAWING AS THIS DRAWING WILL BE CONSIDERED ALL INCLUSIVE \*\*\*

ALL GRAPHICS PROVIDED ARE FOR REFERENCE ONLY. IF CERTAIN DIMENSIONS ARE CRITICAL PLEASE VERIFY THOSE DIMENSIONS WITH YOUR SALESPERSON



DIM TOLERANCE +/- 1/4

## STANDARD FEATURES

MODEL NUMBER: DGS-A  
CAPACITY: 800 LBS.  
HOLDS A 30 AND/OR 55 GALLON STEEL DRUMS  
FORK POCKETS C-C = 19 3/4"  
FORK POCKET SIZE IS 7 5/8" W X 1 7/8" H  
LOST LOAD IS 110 LBS. (APPROX)  
EFFECTIVE THICKNESS IS FORK LENGTH MINUS 16"  
TOUGH BAKED IN POWDER COATED  
BLUE FINISH

NEVER EXCEED LOAD CENTER RATING PER FORK TRUCK MANUFACTURER'S GUIDELINES.  
DO NOT USE THIS FORK TRUCK ATTACHEMENT IF LOAD WILL EXCEED FORK TRUCK MANUFACTURER'S LOAD CENTER RATING.

## SPECIAL FEATURES

NONE

<b>APPROVAL</b>	I, THE UNDERSIGNED, AGREE THAT THE PRODUCT AS REPRESENTED SATISFIES DESIGN AND DIMENSION REQUIREMENTS. I ALSO ACKNOWLEDGE MY DUTY TO CONFIRM PRODUCT AND INSTALLATION COMPLIANCE WITH ALL APPLICABLE FEDERAL, STATE AND LOCAL REGULATIONS AND STANDARDS.	
	<b>ANY MODIFIED UNITS ARE NON-RETURNABLE</b>	
	[ ] As drawn      [ ] As marked	
	Signed: _____ Date: _____	
Printed Name: _____		
<b>LEAD TIME WILL START UPON RECEIPT OF SIGNED APPROVAL DRAWING</b>		

FOR INTERNAL USE ONLY PROJECT SIGN OFF	
SALES	
ENG.	
FAB.	
POWER	

DISTRIBUTOR'S NAME:		P.O.#
<b>VESTIL MANUFACTURING</b>		X
		W.O.#
DRAWN BY: KGY	DATE: 5/25/2005	SALES: X
REFERENCE: X	SCALE: 1:9	FILE NAME:
QUOTED LEAD TIME: X	QUOTE #	09-007-086
	X	