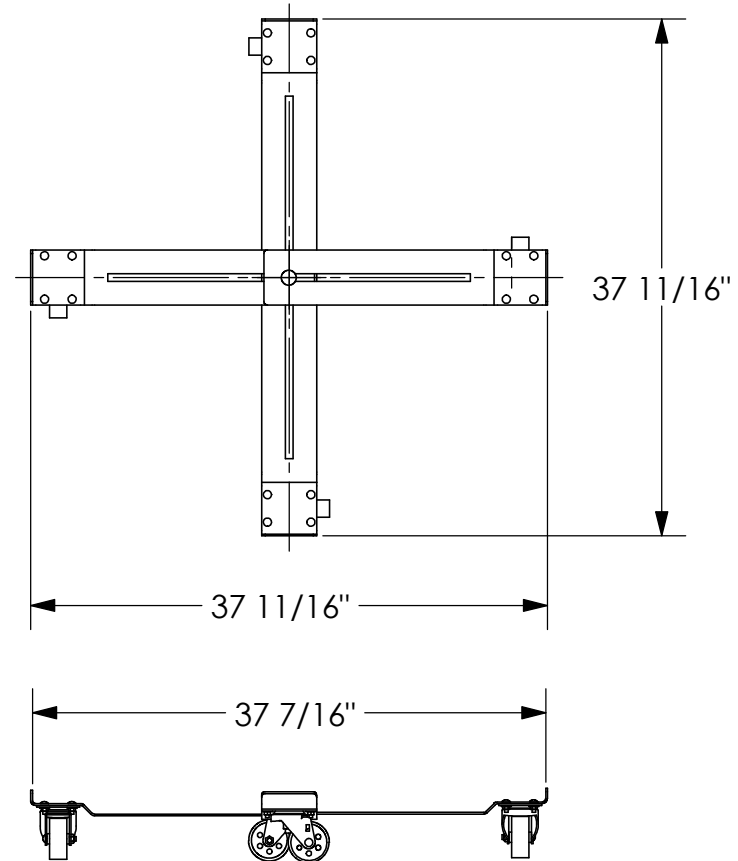
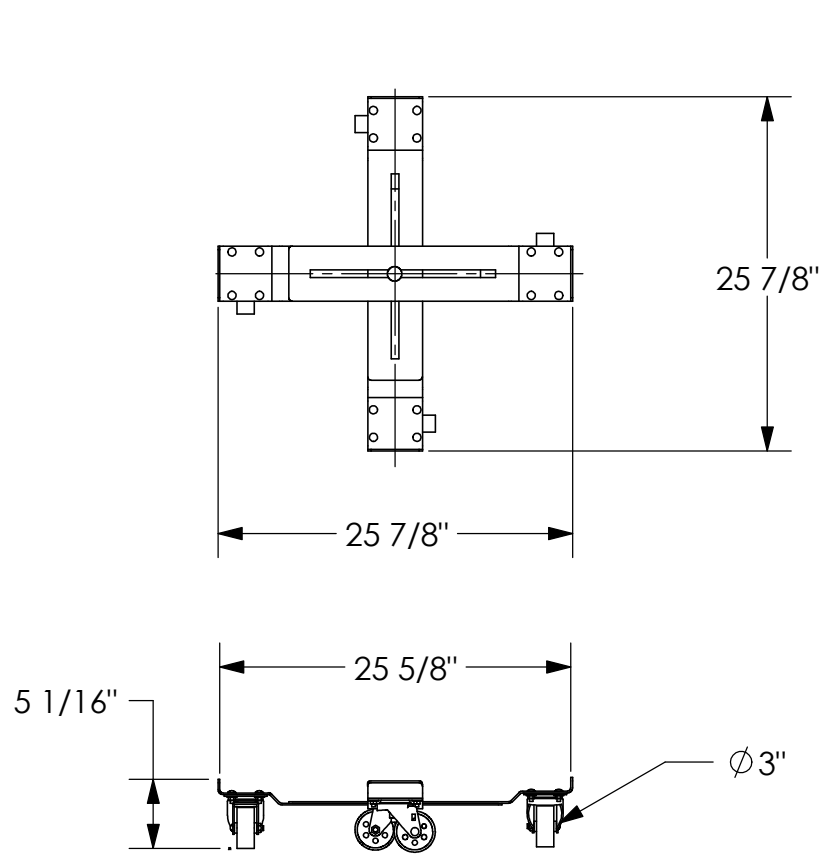


# ADJUSTABLE MOBILE DRUM DOLLY - DRUM-X-C

APPROX WEIGHT: 19.80 lbs.  
DOES NOT INCLUDE WEIGHT OF POWER OR PACKAGING!!!

\*\*\* ANY ADDITIONS, DELETIONS, OR OMISSIONS MUST BE CORRECTED ON THIS DRAWING AS THIS DRAWING WILL BE CONSIDERED ALL INCLUSIVE \*\*\*

ALL GRAPHICS PROVIDED ARE FOR REFERENCE ONLY. IF CERTAIN DIMENSIONS ARE CRITICAL PLEASE VERIFY THOSE DIMENSIONS WITH YOUR SALESPERSON



DIMENSION TOLERANCE  $\pm 1/4"$

## STANDARD FEATURES

- MODEL NUMBER IS DRUM-X-C
- COLLAPSED WIDTH IS 25 7/8"
- COLLAPSED LENGTH IS 25 7/8"
- COLLAPSED USABLE WIDTH IS 25 5/8"
- COLLAPSED USABLE LENGTH IS 25 5/8"
- EXTENDED WIDTH IS 37 11/16"
- EXTENDED LENGTH IS 37 11/16"
- EXTENDED USABLE WIDTH IS 37 7/16"
- EXTENDED USABLE LENGTH IS 37 7/16"
- OVERALL HEIGHT IS 5 1/16"
- CAPACITY IS 1200 LBS.
- CAST STEEL CASTERS

## SPECIAL FEATURES

NONE

APPROVAL

I, THE UNDERSIGNED, AGREE THAT THE PRODUCT AS REPRESENTED SATISFIES DESIGN AND DIMENSION REQUIREMENTS. I ALSO ACKNOWLEDGE MY DUTY TO CONFIRM PRODUCT AND INSTALLATION COMPLIANCE WITH ALL APPLICABLE FEDERAL, STATE AND LOCAL REGULATIONS AND STANDARDS.

**ANY MODIFIED UNITS ARE NON-RETURNABLE**

As drawn       As marked

Signed: \_\_\_\_\_ Date: \_\_\_\_\_

Printed Name: \_\_\_\_\_

LEAD TIME WILL START UPON RECEIPT OF SIGNED APPROVAL DRAWING

FOR INTERNAL USE ONLY PROJECT SIGN OFF	
SALES	
ENG.	
FAB.	
POWER	

DISTRIBUTOR'S NAME: <b>VESTIL MANUFACTURING</b>		P.O.# X
DRAWN BY: BW		W.O.# X
DATE: 3/1/08	SALES: X	FILE NAME: 33-007-183
REFERENCE: X	SCALE: 1:14	
QUOTED LEAD TIME: X	QUOTE # X	