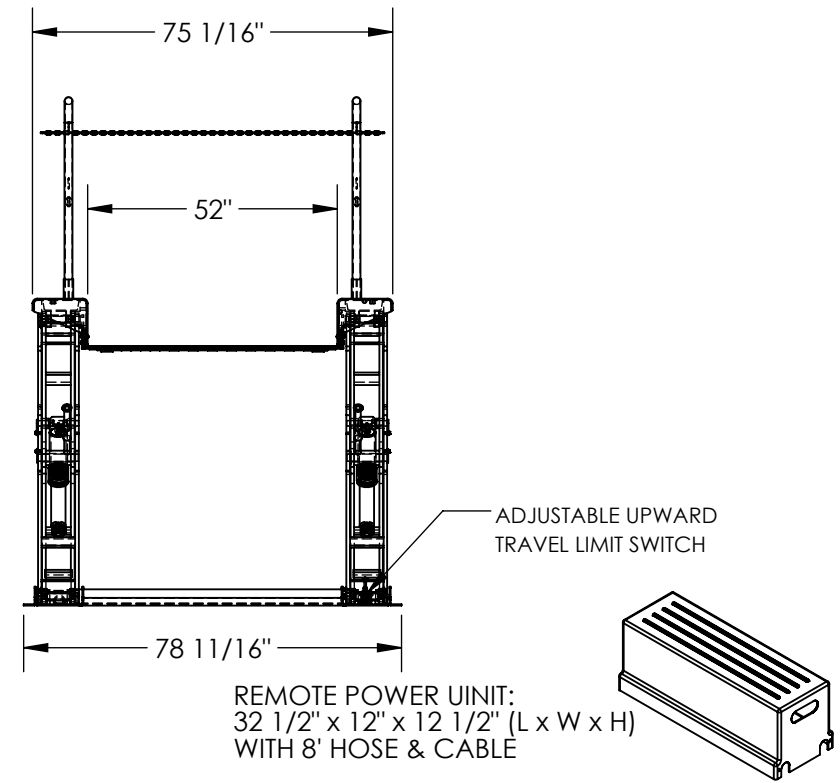
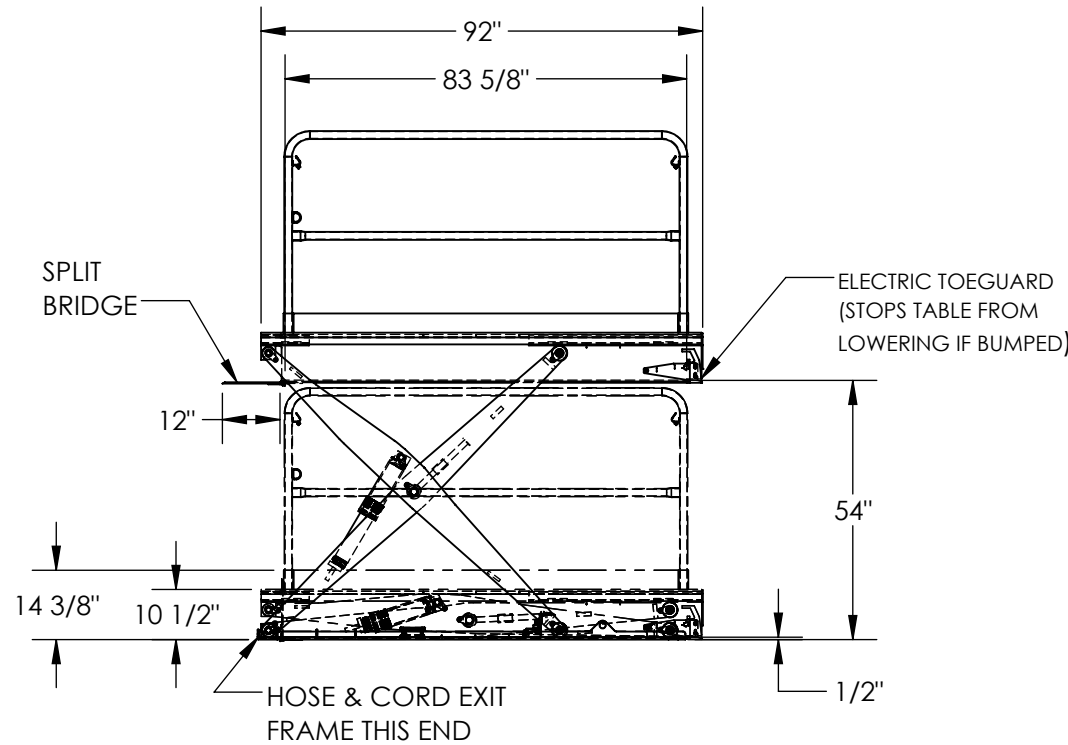


# GROUND LIFT SCISSOR TABLE - EHLTG-5284-3-54

APPROX WEIGHT: 2645.53 lbs.  
DOES NOT INCLUDE WEIGHT OF POWER OR PACKAGING!!!

\*\*\* ANY ADDITIONS, DELETIONS, OR OMISSIONS MUST BE CORRECTED ON THIS DRAWING AS THIS DRAWING WILL BE CONSIDERED ALL INCLUSIVE \*\*\*

ALL GRAPHICS PROVIDED ARE FOR REFERENCE ONLY. IF CERTAIN DIMENSIONS ARE CRITICAL PLEASE VERIFY THOSE DIMENSIONS WITH YOUR SALESPERSON



DIMENSION TOLERANCE ± 1/4"

DECK TOLERANCE ± 1/2"  
TABLE HEIGHT TOLERANCE ± 1/2"  
DECK FLATNESS ± 1/4"

## 460V 3 PHASE AC POWER

CONTACT FACTORY FOR  
OTHER POWER OPTIONS

### SPECIAL FEATURES

NONE

### STANDARD FEATURES

- MODEL NUMBER IS EHLTG-5284-3-54
- PLATFORM USABLE LENGTH IS 83 5/8"
- PLATFORM USABLE WIDTH IS 52"
- PLATFORM RAISED MAX HEIGHT IS 54"
- PLATFORM LOWERED MIN HEIGHT IS 1/2"
- OVERALL LENGTH IS 92"
- OVERALL WIDTH IS 78 11/16"
- 12" WIDE X 52" LONG SPLIT BRIDGE
- NON-REMOVABLE TOE BOARDS
- TABLE CAPACITY (EVENLY DISTRIBUTED)  
LOAD IS 3,000 LBS
- REMOTE POWER UNIT  
2 HP MOTOR (@ 3 PHASE)  
3/4 HP MOTOR (@ 1 PHASE)
- FOOT CONTROL WITH 8 FT. STRAIGHT CORD
- SAFETY MAINTENANCE PROPS
- DISPLACEMENT STYLE CYLINDERS  
INSTALLED ROD DOWN
- EMERGENCY SAFETY STOP HYDRAULIC FUSE  
IN EACH CYLINDER
- UPPER TRAVEL LIMIT SWITCH
- ELECTRIC PINCH POINT GUARD
- UNITS HAVE 2' TEST LEAD AND PIG TAIL
- DURABLE LIQUID PAINT BLUE FINISH WITH  
DURABLE BAKED IN POWDER COATED  
YELLOW FINISH REMOVABLE HAND RAILS

APPROVAL	I, THE UNDERSIGNED, AGREE THAT THE PRODUCT AS REPRESENTED SATISFIES DESIGN AND DIMENSION REQUIREMENTS. I ALSO ACKNOWLEDGE MY DUTY TO CONFIRM PRODUCT AND INSTALLATION COMPLIANCE WITH ALL APPLICABLE FEDERAL, STATE AND LOCAL REGULATIONS AND STANDARDS.	
	<b>UNITS REQUIRING APPROVAL DRAWINGS OR MODIFIED ARE NON-RETURNABLE</b>	
	[ ] As drawn      [ ] As marked	
	Signed: _____ Date: _____	
Printed Name: _____		
<b>LEAD TIME WILL START UPON RECEIPT OF SIGNED APPROVAL DRAWING</b>		

DISTRIBUTOR'S NAME:		P.O.#
<b>VESTIL MANUFACTURING</b>		X
		W.O.#
		X
DRAWN BY:	JWW	DATE: 08/15/2019
REFERENCE:	X	SALES: X
QUOTED LEAD TIME:	## WEEKS	SCALE: 1:40
	QUOTE #	N/A
		FILE NAME:
		04-007-114