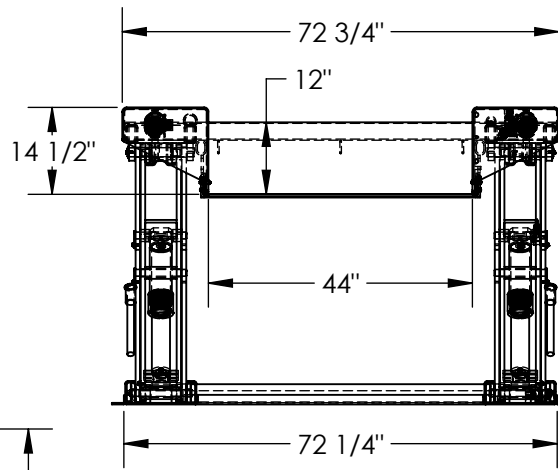
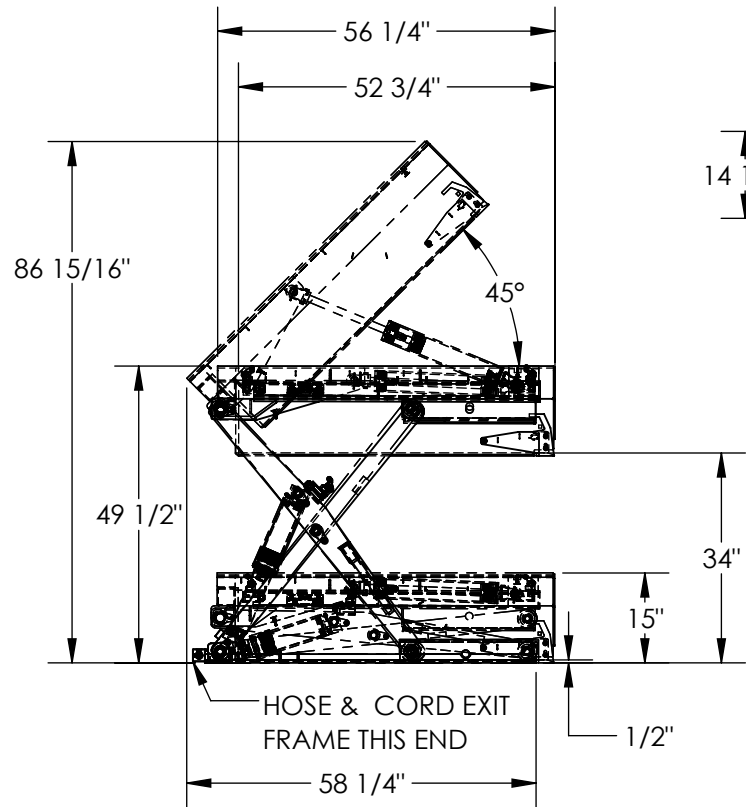


SCISSOR GROUND LIFT AND TILT - EHLTGT-4452-2-36

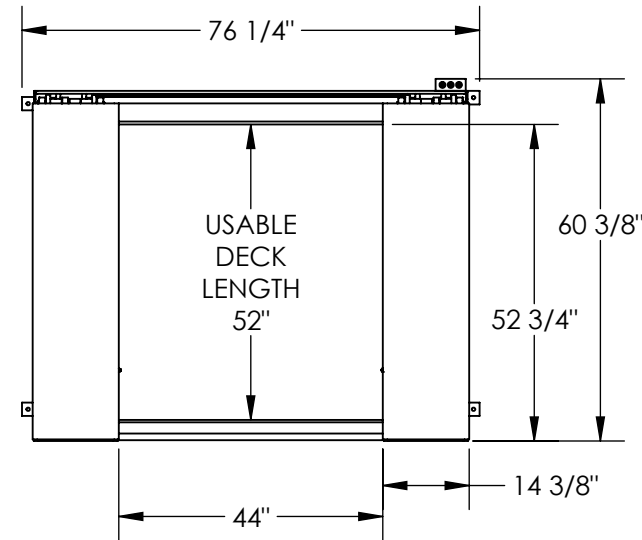
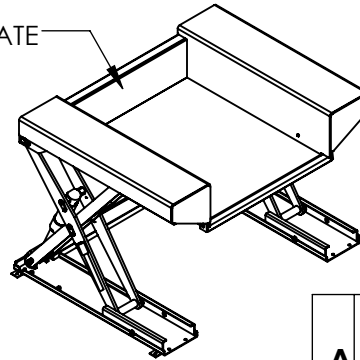
APPROX WEIGHT: 2072 lbs.
DOES NOT INCLUDE WEIGHT OF POWER OR PACKAGING!!!

*** ANY ADDITIONS, DELETIONS, OR OMISSIONS MUST BE CORRECTED ON THIS DRAWING AS THIS DRAWING WILL BE CONSIDERED ALL INCLUSIVE ***

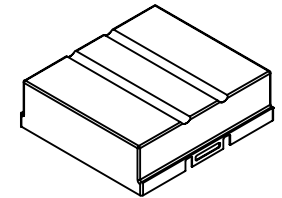
ALL GRAPHICS PROVIDED ARE FOR REFERENCE ONLY. IF CERTAIN DIMENSIONS ARE CRITICAL PLEASE VERIFY THOSE DIMENSIONS WITH YOUR SALESPERSON



12" HIGH
BACK PLATE



REMOTE POWER UNIT
24 1/2" x 22 1/2" x 7 1/2" (L x W x H)
WITH 8' HOSE & CABLE



STANDARD FEATURES

- MODEL NUMBER IS EHLTGT-4452-2-36
- PLATFORM USABLE LENGTH IS 52"
- PLATFORM USABLE WIDTH IS 44"
- PLATFORM RAISED MAX HEIGHT IS 34"
- PLATFORM LOWERED MIN HEIGHT IS 1/2"
- OVERALL LENGTH IS 56 1/4"
- OVERALL WIDTH IS 72 3/4"
- MAXIMUM TILT ANGLE IS 45°
- TABLE CAPACITY (EVENLY DISTRIBUTED)
LOAD IS 2,000 LBS
- REMOTE POWER UNIT
2 HP MOTOR (@ 3 PHASE)
3/4 HP MOTOR (@ 1 PHASE)
- CONTROL IS HANDHELD, 4 BUTTON, NEMA 4
PENDANT WITH MINIMUM 8' USABLE COIL CORD
- SAFETY MAINTENANCE PROPS
- DISPLACEMENT STYLE CYLINDERS
INSTALLED ROD DOWN
- EMERGENCY SAFETY STOP HYDRAULIC FUSE
IN EACH CYLINDER
- UPPER TRAVEL LIMIT SWITCH
- ELECTRIC PINCH POINT GUARD
- UNITS HAVE 2' TEST LEAD AND PIG TAIL
- DURABLE LIQUID PAINT BLUE FINISH

PLEASE CIRCLE SPECIFICATIONS:

POWER	<input checked="" type="checkbox"/> AC	<input type="checkbox"/> DC (12V)	<input type="checkbox"/> AIR/OIL
MOTOR VOLTAGE	<input type="checkbox"/> 115	<input type="checkbox"/> 208	<input checked="" type="checkbox"/> 230
DEDICATED CIRCUIT REQUIRED 60Hz			
MOTOR PHASE	<input type="checkbox"/> SINGLE	<input checked="" type="checkbox"/> THREE	
CONTROL	<input checked="" type="checkbox"/> HAND	<input type="checkbox"/> FOOT	

SPECIAL FEATURES

NONE

DIMENSION TOLERANCE ± 1/4"

I, THE UNDERSIGNED, AGREE THAT THE PRODUCT AS REPRESENTED SATISFIES DESIGN AND DIMENSION REQUIREMENTS. I ALSO ACKNOWLEDGE MY DUTY TO CONFIRM PRODUCT AND INSTALLATION COMPLIANCE WITH ALL APPLICABLE FEDERAL, STATE AND LOCAL REGULATIONS AND STANDARDS.

UNITS REQUIRING APPROVAL DRAWINGS OR MODIFIED ARE NON-RETURNABLE

[] As drawn [] As marked

Signed: _____ Date: _____

Printed Name: _____

LEAD TIME WILL START UPON RECEIPT OF SIGNED APPROVAL DRAWING

DISTRIBUTOR'S NAME:		P.O.#
VESTIL MANUFACTURING		X
DRAWN BY: ABR		W.O.#
DATE: 08/02/2019		X
REFERENCE: X	SCALE: 1:32	SALES: X
QUOTED LEAD TIME: ## WEEKS	QUOTE # X	FILE NAME:
		04-007-104