

LOW PROFILE "U" TYPE ELECTRIC LIFT TABLE, EHU-2

**SPECIAL UNITS ARE NON-RETURNABLE
*AVAILABLE AT ADDITIONAL COSTS

Deck tolerances +/- 1/2"
Table height tolerances +/- 1/2"

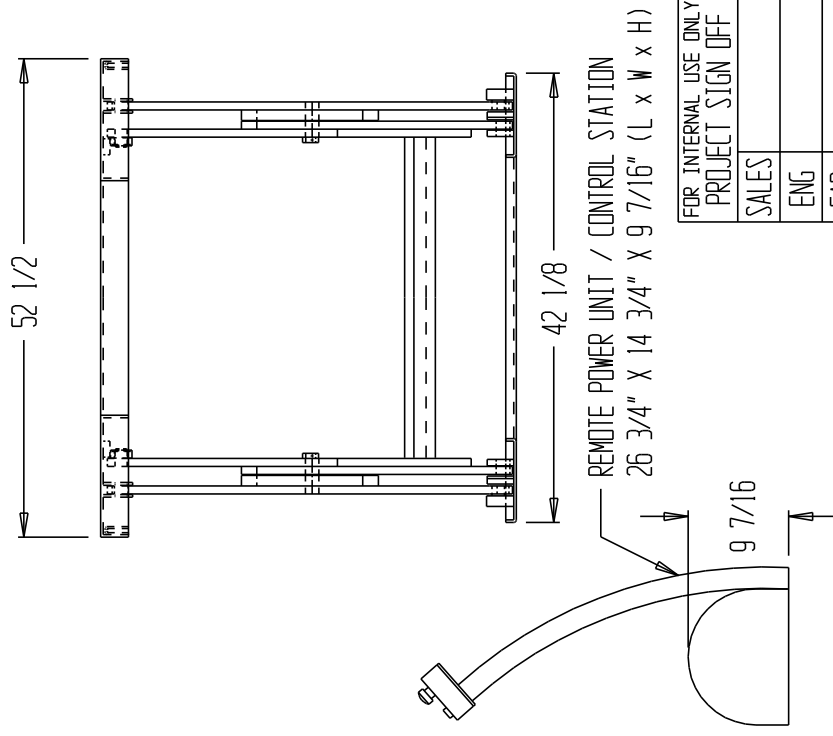
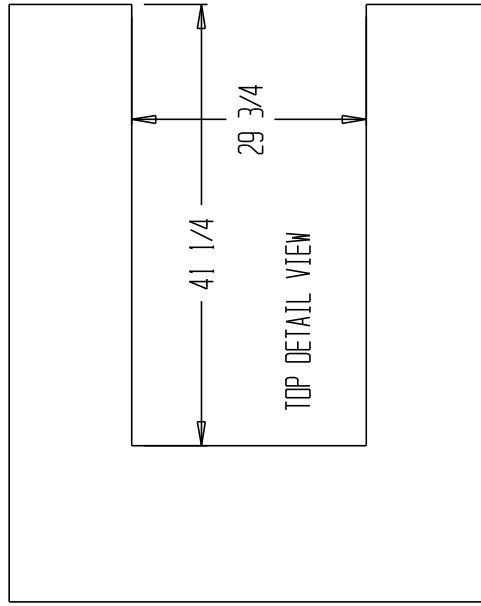
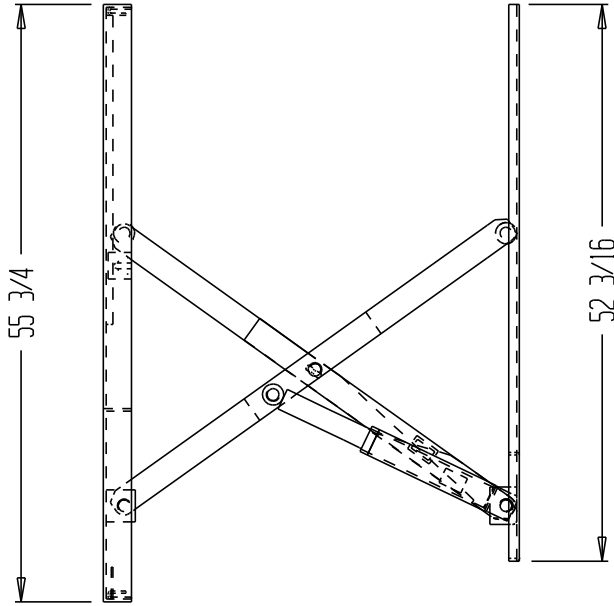
PRODUCTION WILL START UPON
RECEIPT OF SIGNED APPROVAL
DRAWING

STANDARD FEATURES

- MODEL NUMBER: EHU-2
- CAPACITY: 2,000 LBS
- PLATFORM WIDTH: 52 1/2"
- PLATFORM LENGTH: 56"
- PLATFORM RAISED HEIGHT: 33 7/8"
- PLATFORM LOWERED HEIGHT: 3 3/8"
- STANDARD REMOTE POWER UNIT / CONTROL STATION
- RAISE TIME (LOADED) = 15 SECONDS
- LOWER TIME (LOADED) = 32 SECONDS
- 115V AC SINGLE PHASE (ONLY)
- INCLUDES SAFETY MAINTENANCE PROPS
- WHEN PROPS ARE ENGAGED, OVERALL HEIGHT: 28"

SPECIAL FEATURES

NONE



FOR INTERNAL USE ONLY
PROJECT SIGN OFF
SALES
ENG
FAB.
POWER

I, THE UNDERSIGNED, AGREE THAT THE PRODUCT AS REPRESENTED SATISFIES DESIGN & DIMENSION REQUIREMENTS. I ALSO ACKNOWLEDGE MY DUTY TO CONFIRM PRODUCT & INSTALLATION COMPLIANCE WITH ALL APPLICABLE FEDERAL, STATE AND LOCAL REGULATIONS & STANDARDS.
ANY MODIFIED UNITS ARE NON-RETURNABLE

() As drawn () As marked
Signed: _____ Date: _____
Printed Name: _____

LEAD TIME WILL START UPON RECEIPT OF SIGNED APPROVAL DRAWING

DISTRIBUTOR'S NAME:

VESTIL MANUFACTURING

P.O.#: -

W.O.#: -

SALES: -

DATE: 6-7-07

REFERENCE: -

SCALE: 1:18

ORIG./FILE NAME:

QUOTED LEADTIME: -

QUOTE #: -

EHU-2

All graphics provided are for reference only.
If certain dimensions are critical please verify those dimensions with your salesperson

Any additions, deletions or omissions must be corrected on this drawing, as this drawing will be considered all inclusive.