

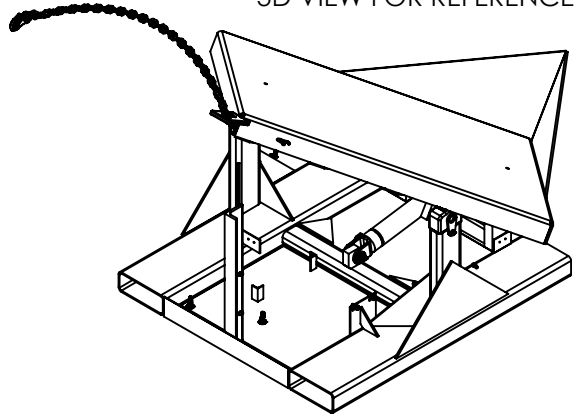
ELECTRIC/HYDRAULIC CORNER TILTER - EMC-4242-2

APPROX WEIGHT: 534.19 lbs.
DOES NOT INCLUDE WEIGHT OF POWER OR PACKAGING!!!

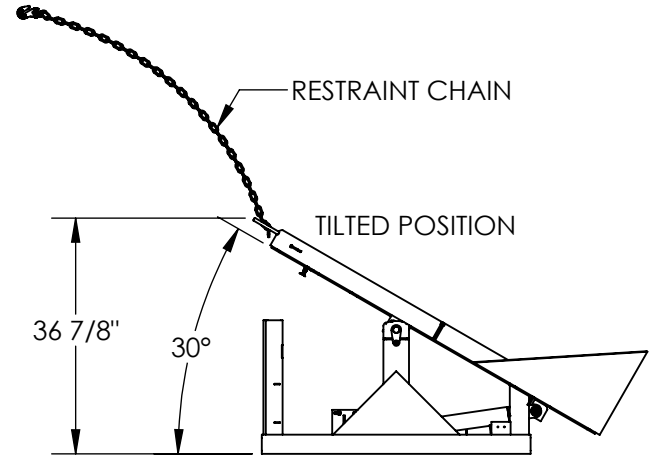
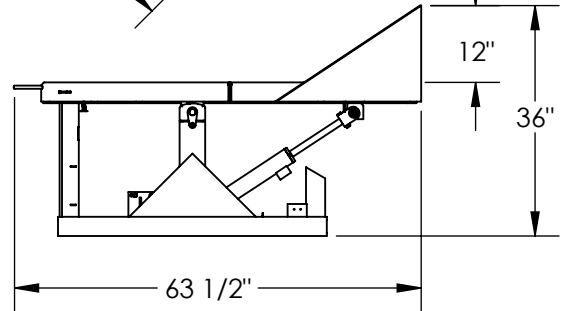
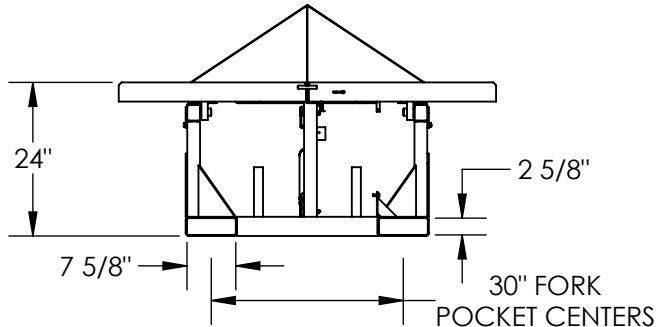
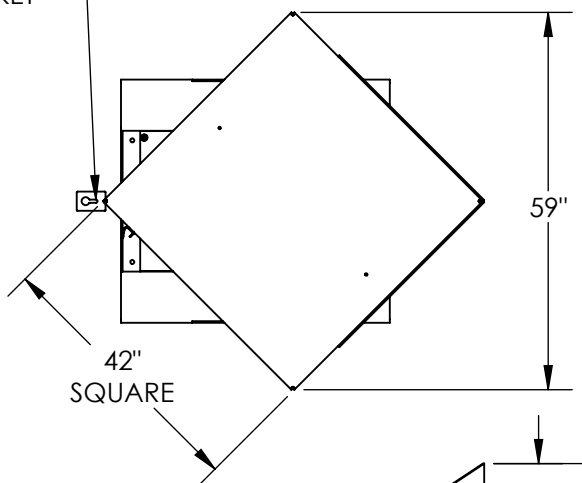
*** ANY ADDITIONS, DELETIONS, OR OMISSIONS MUST BE CORRECTED ON THIS DRAWING AS THIS DRAWING WILL BE CONSIDERED ALL INCLUSIVE ***

ALL GRAPHICS PROVIDED ARE FOR REFERENCE ONLY. IF CERTAIN DIMENSIONS ARE CRITICAL PLEASE VERIFY THOSE DIMENSIONS WITH YOUR SALESPERSON

3D VIEW FOR REFERENCE



SLOT-LOCK BRACKET



STANDARD FEATURES

- MODEL NUMBER IS EMC-4242-2
- OVERALL WIDTH IS 59"
- USABLE WIDTH IS 42"
- OVERALL LENGTH IS 63 1/2"
- USABLE LENGTH IS 42"
- OVERALL HEIGHT IS 36"
- TILTED HEIGHT IS 36 7/8"
- MAX CAPACITY IS 2000 LBS.
- PLATFORM LEVEL HEIGHT IS 24"
- MAXIMUM TILT ANGLE IS 30°
- 2 HP POWER UNIT
- ALL STEEL CONSTRUCTION
- WELDING TO MEET AWS
- CHROME PLATED CYLINDERS
- 3000 PSI HYDRAULIC RATING
- WARNING: CHECK STATE AND LOCAL CODES!!
- SAFETY SLOT-LOCK CHAIN RESTRAINT BRACKET
- DURABLE LIQUID PAINT
- VESTIL ROYAL BLUE FINISH
- USABLE FORK POCKET - 2 5/8"H X 7 5/8"W
- 30" FORK POCKET CENTERS

SPECIAL FEATURES

NONE

PLEASE CIRCLE SPECIFICATIONS:

POWER	<input checked="" type="checkbox"/> AC	<input type="checkbox"/> * DC	<input type="checkbox"/> * AIR/OIL
MOTOR VOLTAGE	<input type="checkbox"/> 115	<input type="checkbox"/> 208	<input type="checkbox"/> 230 <input checked="" type="checkbox"/> 460
DEDICATED CIRCUIT REQUIRED			
MOTOR PHASE	<input type="checkbox"/> SINGLE	<input checked="" type="checkbox"/> THREE	
CONTROL	<input checked="" type="checkbox"/> HAND	<input type="checkbox"/> * FOOT	
~ ALL BATTERY CHARGERS ARE 115V AC ~			
* BATTERY CHRG.	<input type="checkbox"/> REMOTE	<input type="checkbox"/> ON-BOARD	
* CHRG. INDICATOR	<input type="checkbox"/> YES	<input type="checkbox"/> NO	

* AVAILABLE AT ADDITIONAL COST

DIMENSION TOLERANCE ± 1/4"

APPROVAL

I, THE UNDERSIGNED, AGREE THAT THE PRODUCT AS REPRESENTED SATISFIES DESIGN AND DIMENSION REQUIREMENTS. I ALSO ACKNOWLEDGE MY DUTY TO CONFIRM PRODUCT AND INSTALLATION COMPLIANCE WITH ALL APPLICABLE FEDERAL, STATE AND LOCAL REGULATIONS AND STANDARDS.

UNITS REQUIRING APPROVAL DRAWINGS OR MODIFIED ARE NON-RETURNABLE

[] As drawn [] As marked

Signed: _____ Date: _____

Printed Name: _____

LEAD TIME WILL START UPON RECEIPT OF SIGNED APPROVAL DRAWING

DISTRIBUTOR'S NAME: _____ P.O.# X

VESTIL MANUFACTURING W.O.# X

DRAWN BY: MTS DATE: 02/20/14 SALES: X

REFERENCE: X SCALE: 1:30 FILE NAME: _____

QUOTED LEAD TIME: X QUOTE # X 38-007-004