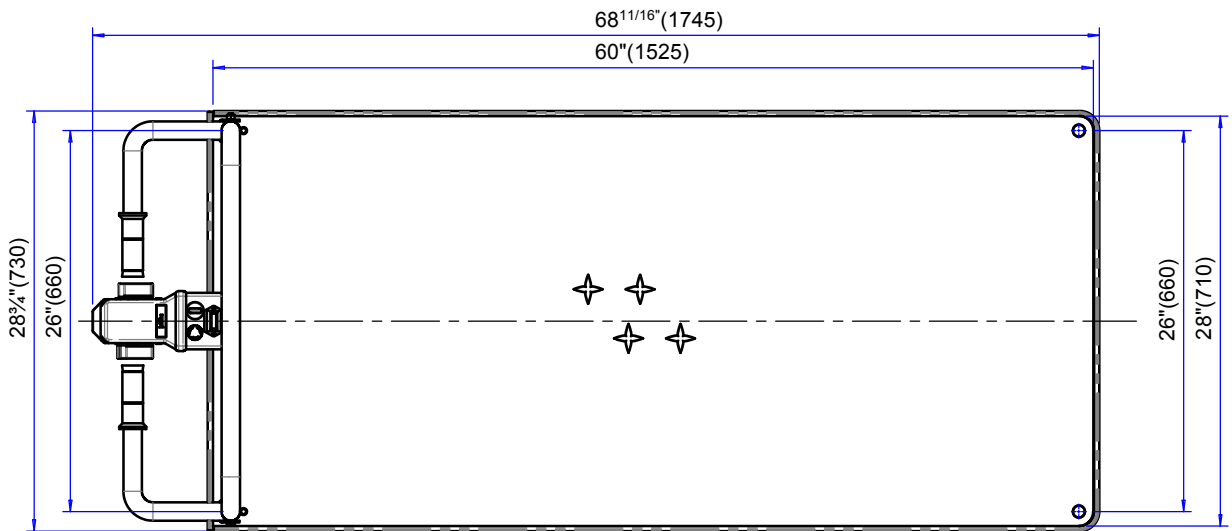
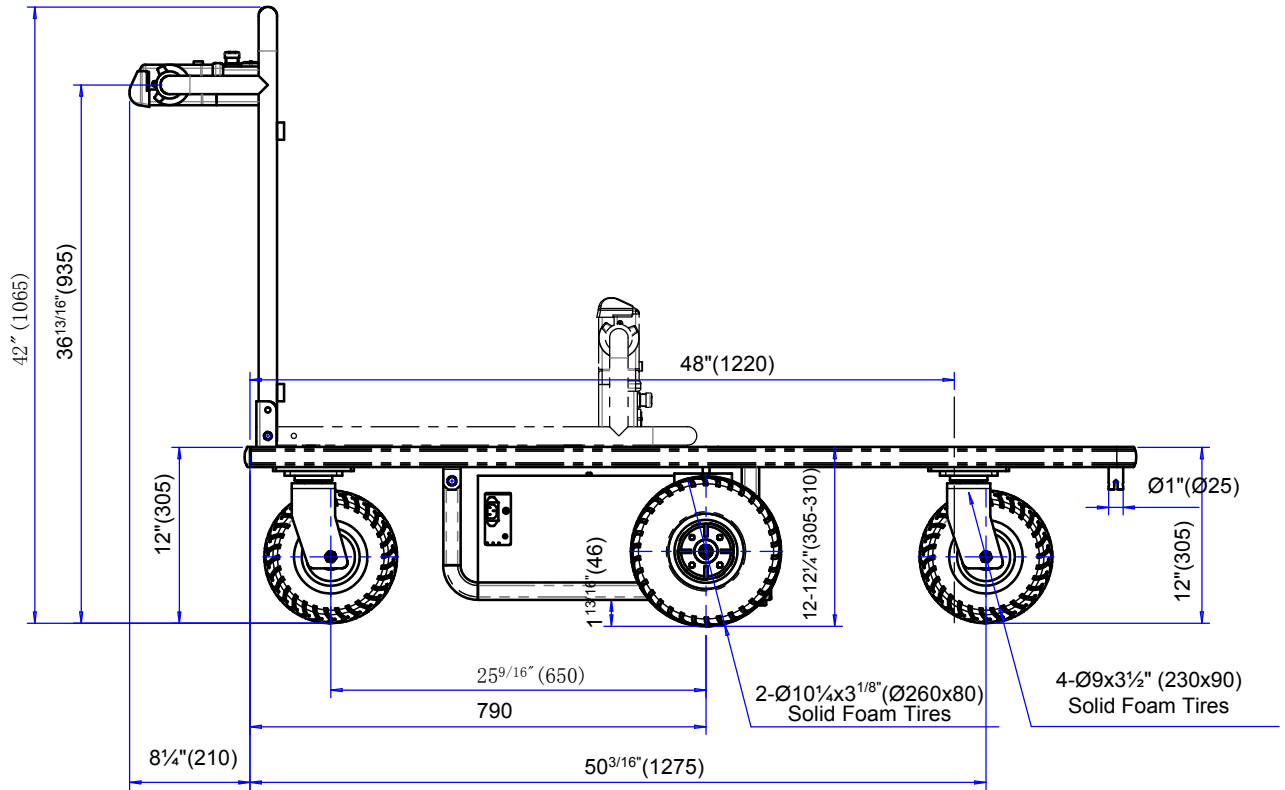


EMHC-2860-1 (ELECTRIC MATERIAL HANDLING CART)



Specifications:

Capacity: 1,500 lbs (680 kgs.) Drive
 Axle: C04II-24/800
 Gear Ratio: 40:1
 Drive Motor: DC24V/800W
 Controller: Curtis 1228 - 2411
 Battery: 2x12V/45Ah (AGM)
 Charger: 24V/8Amps - (4amps/bank)
 Loaded Speed: 2.8m/h
 Unloaded Speed: 3.4m/h

Vestil Manufacturing Corp

Model: EMHC-2860-1

Description: Electric Material Handling Cart

Design: T.M.

Date: 08/29/2015