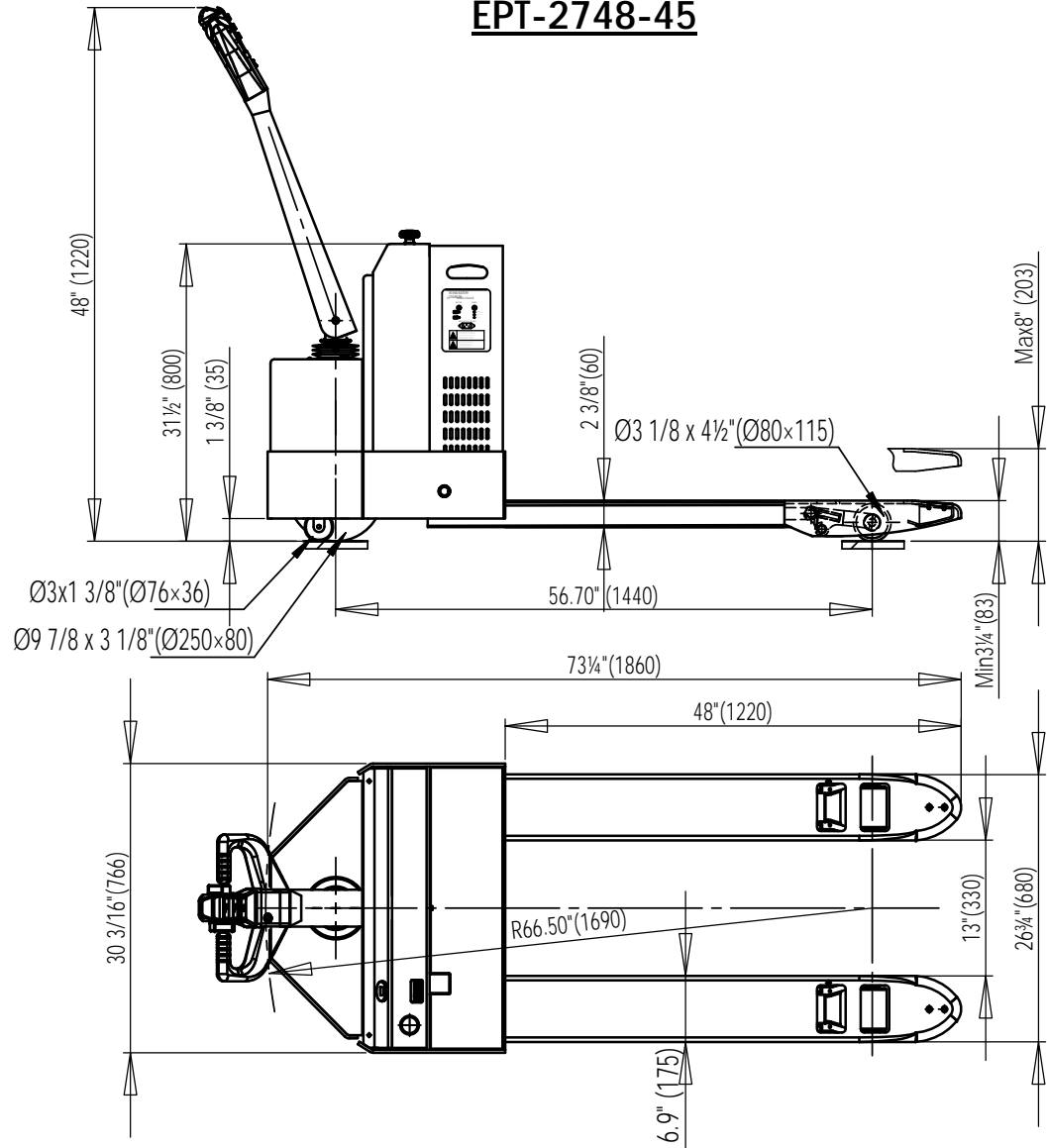


EPT-2748-45



Specifications
 Loading Capacity: 4,500 lbs (2,000 kgs)
 Drive Motor: DC24V/1.2KW
 Lift Motor: DC24V/2KW
 Controller: CP2207A-5102
 Handle: CH-2
 Battery: 6x2V/210Ah
 Battery Charger: 24V/12amp
 Lifting Speed without Load: 1.57"/sec
 Lifting Speed with Load: 1.37"/sec
 Down Speed without Load: 1.18"/sec
 Down Speed with Load: 1.57"/sec
 Travel Speed without Load: 4 m/h
 Travel Speed with Load: 3.4 m/h
 Forks lower height: 3 1/4" (83mm)
 Forks raised height: 8" (203mm)

VESTIL MANUFACTURING CORP.	
Model:	EPT-2748-45
Descrip:	4,500 lbs Electric Pallet truck
Design:	T.M
Date:	01/16/2013