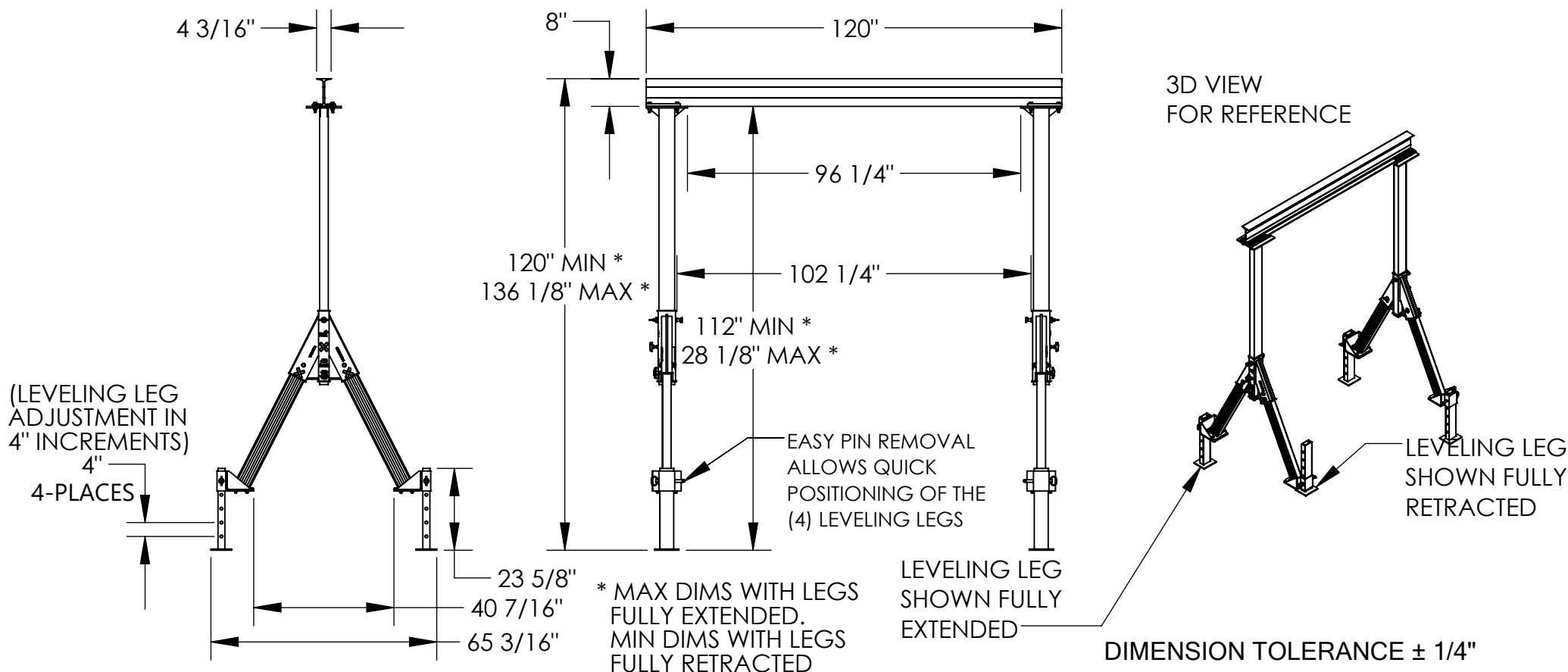


# LEVELING FIXED HEIGHT ALUMINUM GANTRY - FHA-4-10-10-ALO

APPROX WEIGHT: 293.95 lbs.  
 DOES NOT INCLUDE WEIGHT OF POWER OR PACKAGING!!!

\*\*\* ANY ADDITIONS, DELETIONS, OR OMISSIONS MUST BE CORRECTED ON THIS DRAWING AS THIS DRAWING WILL BE CONSIDERED ALL INCLUSIVE \*\*\*

ALL GRAPHICS PROVIDED ARE FOR REFERENCE ONLY. IF CERTAIN DIMENSIONS ARE CRITICAL PLEASE VERIFY THOSE DIMENSIONS WITH YOUR SALESPERSON



## STANDARD FEATURES

MODEL NUMBER IS FHA-4-10-10-ALO  
 CAPACITY IS 4,000 LBS.  
 BASE WIDTH IS 65 3/16"  
 OVERALL HEIGHT IS 136" MAX \*  
 I-BEAM SIZE IS 8" TALL WITH  
 4 3/16" FLANGE WIDTH  
 OVERALL I-BEAM LENGTH IS 120"  
 USABLE I-BEAM LENGTH IS 96 1/4"  
 LEVELING LEG HEIGHT IS INDIVIDUALLY ADJUSTED  
 UP TO 16" MAX. TO LEVEL CRANE  
 UNDER I-BEAM HEIGHT IS 112" MIN TO 128" MAX \*  
 CRANE MAY BE TAKEN APART AND BUNDLED WITH  
 (2) INCLUDED STRAPS FOR EASY TRANSPORT  
 ALUMINUM CONSTRUCTION

## SPECIAL FEATURES

NONE

**APPROVAL**

I, THE UNDERSIGNED, AGREE THAT THE PRODUCT AS REPRESENTED SATISFIES DESIGN AND DIMENSION REQUIREMENTS. I ALSO ACKNOWLEDGE MY DUTY TO CONFIRM PRODUCT AND INSTALLATION COMPLIANCE WITH ALL APPLICABLE FEDERAL, STATE AND LOCAL REGULATIONS AND STANDARDS.  
**UNITS REQUIRING APPROVAL DRAWINGS OR MODIFIED ARE NON-RETURNABLE**  
 As drawn     As marked

Signed: \_\_\_\_\_ Date: \_\_\_\_\_  
 Printed Name: \_\_\_\_\_

*LEAD TIME WILL START UPON RECEIPT OF SIGNED APPROVAL DRAWING*

DISTRIBUTOR'S NAME:		P.O.#
VESTIL MANUFACTURING		X
DRAWN BY: MTS	DATE: 10/11/2019	W.O.#
REFERENCE: X	SCALE: 1:42	X
QUOTED LEAD TIME: X	QUOTE #	SALES: X
	X	FILE NAME:
		28-007-447