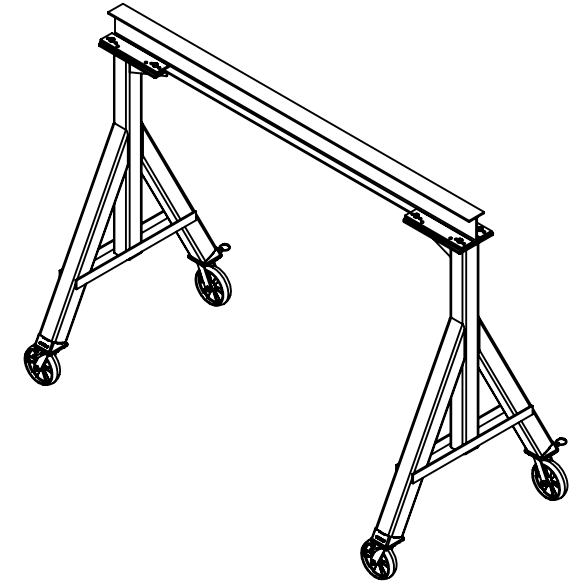
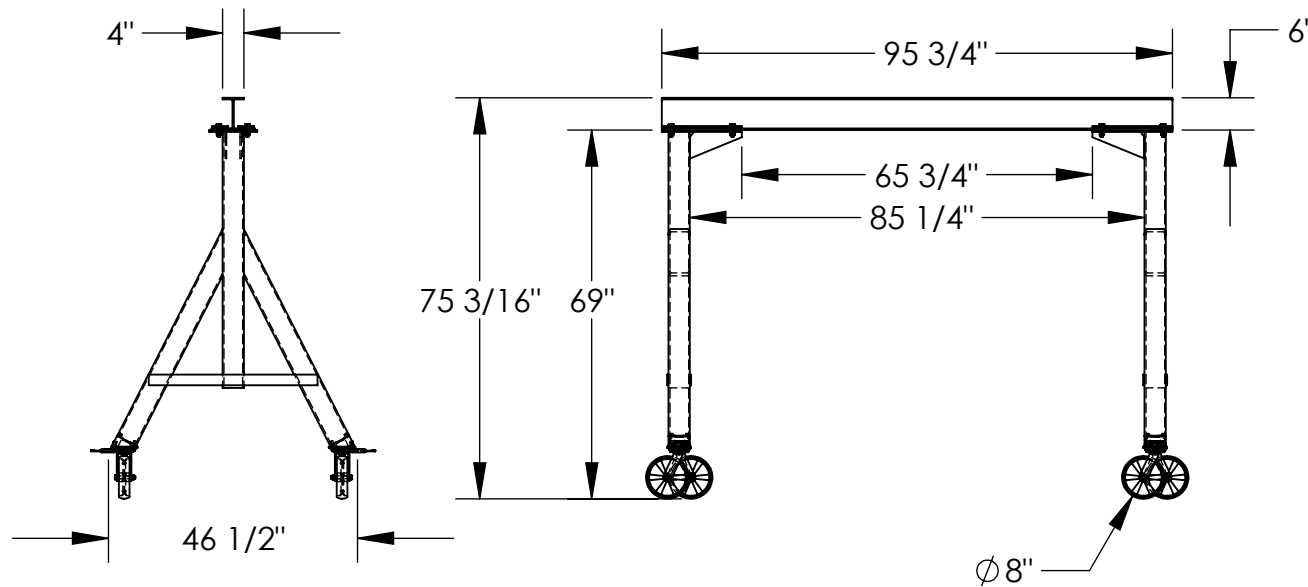


# FIXED STEEL GANTRY CRANE - FHS-50

APPROX WEIGHT: 507.00 lbs.  
DOES NOT INCLUDE WEIGHT OF POWER OR PACKAGING!!!

\*\*\* ANY ADDITIONS, DELETIONS, OR OMISSIONS MUST BE CORRECTED ON THIS DRAWING AS THIS DRAWING WILL BE CONSIDERED ALL INCLUSIVE \*\*\*

ALL GRAPHICS PROVIDED ARE FOR REFERENCE ONLY. IF CERTAIN DIMENSIONS ARE CRITICAL PLEASE VERIFY THOSE DIMENSIONS WITH YOUR SALESPERSON



3D VIEW FOR REFERENCE ONLY

DIMENSION TOLERANCE ± 1/4"

## STANDARD FEATURES

MODEL NUMBER IS FHS-50  
CAPACITY IS 500 LBS.  
BASE WIDTH IS 46 1/2"  
OVERALL HEIGHT IS 75 3/16"  
I-BEAM HEIGHT IS 6"  
I-BEAM FLANGE WIDTH 4"  
OVERALL I-BEAM LENGTH IS 95 3/4"  
USABLE I-BEAM LENGTH IS 65 3/4"  
UNDER I-BEAM HEIGHT IS 69"  
DURABLE PAINT BLUE FINISH  
CASTERS: (4) Ø8" X 2" WIDE GLASS FILLED  
NYLON SWIVEL CASTERS WITH FOUR  
LOCKING POSITIONS

## SPECIAL FEATURES

NONE

I, THE UNDERSIGNED, AGREE THAT THE PRODUCT AS REPRESENTED SATISFIES DESIGN AND DIMENSION REQUIREMENTS. I ALSO ACKNOWLEDGE MY DUTY TO CONFIRM PRODUCT AND INSTALLATION COMPLIANCE WITH ALL APPLICABLE FEDERAL, STATE AND LOCAL REGULATIONS AND STANDARDS.  
**UNITS REQUIRING APPROVAL DRAWINGS OR MODIFIED ARE NON-RETURNABLE**

As drawn  As marked

Signed: \_\_\_\_\_ Date: \_\_\_\_\_

Printed Name: \_\_\_\_\_

LEAD TIME WILL START UPON RECEIPT OF SIGNED APPROVAL DRAWING

APPROVAL

DISTRIBUTOR'S NAME:		P.O.#
VESTIL MANUFACTURING		X
DRAWN BY: MTS	DATE: 09/16/14	W.O.#
REFERENCE: X	SCALE: 1:36	X
QUOTED LEAD TIME: X	QUOTE #	SALES: X
	X	FILE NAME:
		28-007-364