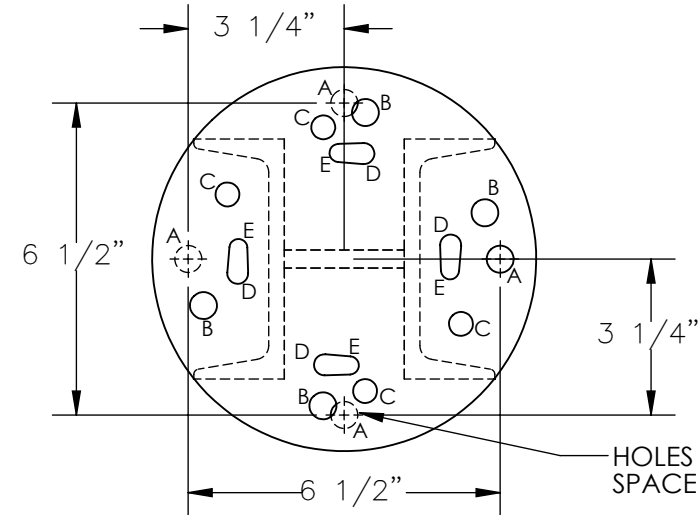


STATIONARY LEGS - FHS-STLO

APPROX WEIGHT: 26.56 lbs.
DOES NOT INCLUDE WEIGHT OF POWER OR PACKAGING!!!

*** ANY ADDITIONS, DELETIONS, OR OMISSIONS MUST BE CORRECTED ON THIS DRAWING AS THIS DRAWING WILL BE CONSIDERED ALL INCLUSIVE ***

ALL GRAPHICS PROVIDED ARE FOR REFERENCE ONLY. IF CERTAIN DIMENSIONS ARE CRITICAL PLEASE VERIFY THOSE DIMENSIONS WITH YOUR SALESPERSON

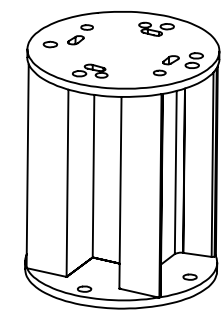


HOLE CHART *

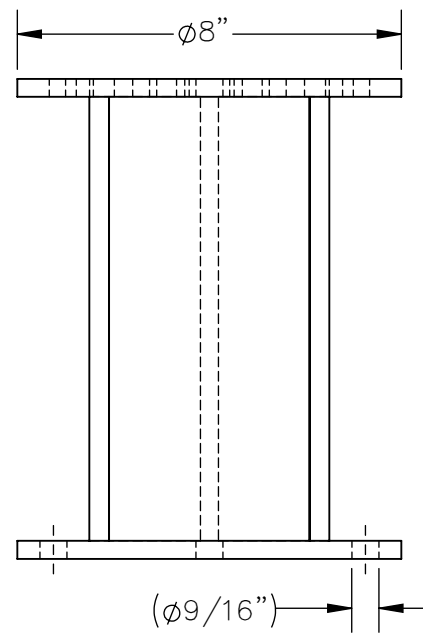
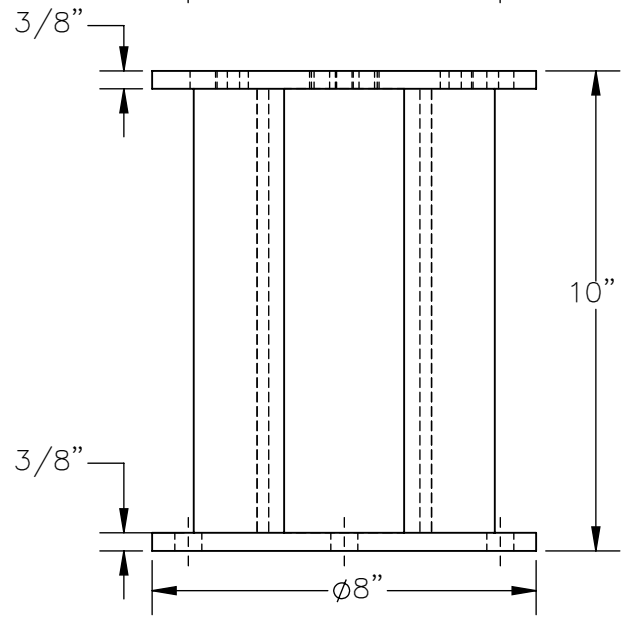
- A = HOLES IN BASE ARE (4) $\phi 9/16$ - (BASE HARDWARE NOT INCLUDED)
- B = HOLES FOR **FHS-8/AHA-6** ARE (4) $\phi 9/16$ --- 28-154-049
- C = HOLES FOR **FHS-6** ARE (4) $\phi 1/2$ ----- 28-154-050 MOUNTING HARWARE KIT NEEDED
- D = HOLES FOR **AHA-2/-4** ARE (4) $\phi 7/16$ ----- 28-154-051 FOR GANTRY MODEL LISTED
- E = HOLES FOR **FHS-2/-4** ARE (4) $\phi 3/8$ ----- 28-154-052

HOLES AND HARDWARE FOR FHSN GANTRY CRANES ARE THE SAME AS THE FHS MODEL OF MATCHING SIZE

* = THE FHS-STLO STATIONARY LEG HAS HOLES FOR ALL MODELS OF GANTRY CRANES, USE THE HOLES LISTED IN THE CHART FOR THE MODEL OF CRANE BEING USED.



3-D VIEW FOR REFERENCE



(4) WELDMENTS AND (4) MOUNTING HARDWARE KITS ARE REQUIRED FOR THE BOLT DOWN OPTION FOR A GANTRY CRANE.

DIMENSION TOLERANCE $\pm 1/4$ "

STANDARD FEATURES

- MODEL NUMBER IS FHS-STLO
- BOLT TO BOTTOM OF AHS GANTRY CRANES FOR USE WITHOUT CASTERS
- OVERALL WIDTH IS 8"
- OVERALL LENGTH IS 8"
- OVERALL HEIGHT IS 10"
- STATIONARY LEGS ARE WELDED STEEL CONSTRUCTION

SPECIAL FEATURES

NONE

APPROVAL

I, THE UNDERSIGNED, AGREE THAT THE PRODUCT AS REPRESENTED SATISFIES DESIGN AND DIMENSION REQUIREMENTS. I ALSO ACKNOWLEDGE MY DUTY TO CONFIRM PRODUCT AND INSTALLATION COMPLIANCE WITH ALL APPLICABLE FEDERAL, STATE AND LOCAL REGULATIONS AND STANDARDS.

ANY MODIFIED UNITS ARE NON-RETURNABLE

[] As drawn [] As marked

Signed: _____ Date: _____

Printed Name: _____

LEAD TIME WILL START UPON RECEIPT OF SIGNED APPROVAL DRAWING

FOR INTERNAL USE ONLY	
PROJECT SIGN OFF	
SALES	
ENG.	
FAB.	
POWER	

DISTRIBUTOR'S NAME:		P.O.#
VESTIL MANUFACTURING		X
W.O.#		X
DRAWN BY: MTS	DATE: 03/31/2017	SALES: X
REFERENCE: X	SCALE: 1:4	FILE NAME:
QUOTED LEAD TIME: X	QUOTE # X	28-007-415-004