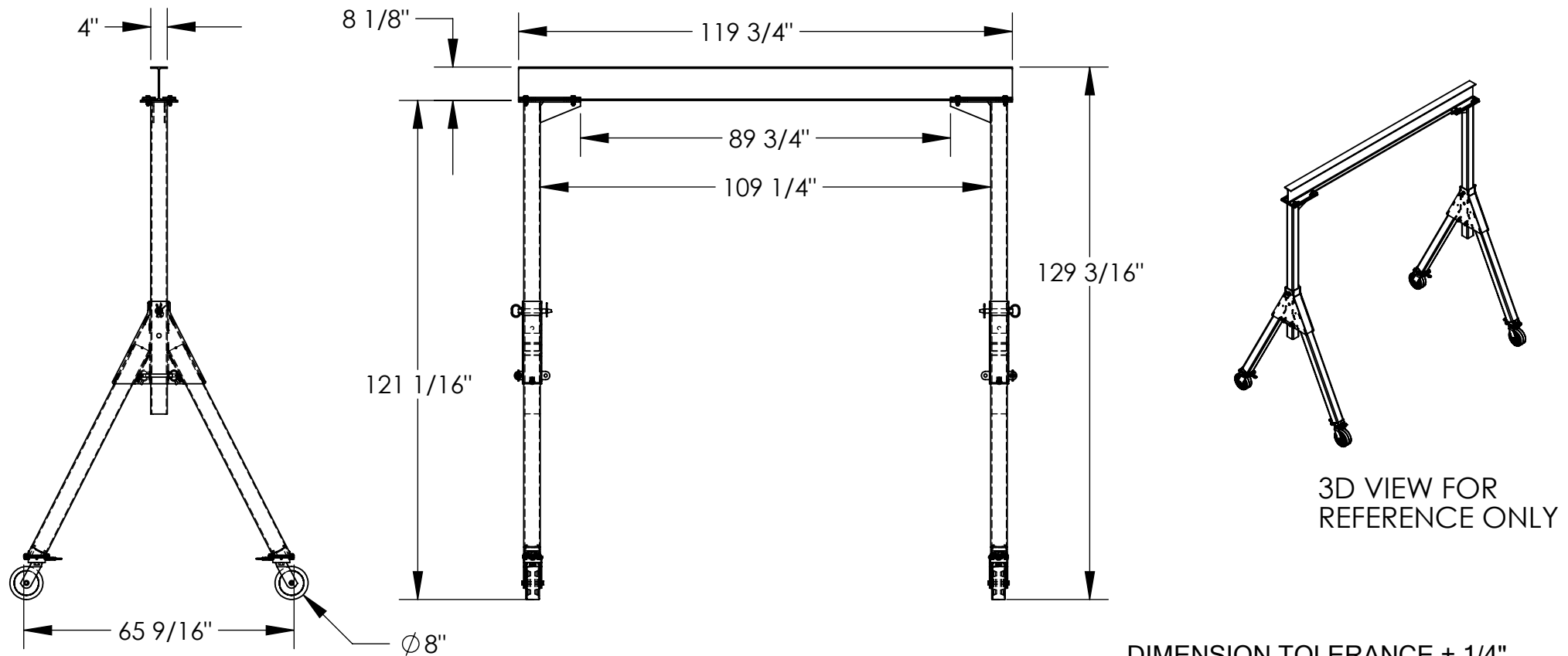


# FIXED STEEL GANTRY CRANE - KNOCKDOWN - FHSN-4-10

APPROX WEIGHT: 738.35 lbs. DOES NOT INCLUDE WEIGHT OF POWER OR PACKAGING!!!

\*\*\* ANY ADDITIONS, DELETIONS, OR OMISSIONS MUST BE CORRECTED ON THIS DRAWING AS THIS DRAWING WILL BE CONSIDERED ALL INCLUSIVE \*\*\*  
 ALL GRAPHICS PROVIDED ARE FOR REFERENCE ONLY. IF CERTAIN DIMENSIONS ARE CRITICAL PLEASE VERIFY THOSE DIMENSIONS WITH YOUR SALESPERSON



DIMENSION TOLERANCE  $\pm 1/4$ "

## STANDARD FEATURES

## SPECIAL FEATURES

- MODEL NUMBER IS FHSN-4-10
- CAPACITY IS 4,000 LBS.
- BASE WIDTH IS  $65 \frac{9}{16}$ "
- OVERALL HEIGHT IS  $129 \frac{3}{16}$ "
- I-BEAM HEIGHT IS  $8 \frac{1}{8}$ "
- I-BEAM FLANGE WIDTH IS  $4$ "
- OVERALL I-BEAM LENGTH IS  $119 \frac{3}{4}$ "
- USABLE I-BEAM LENGTH IS  $89 \frac{3}{4}$ "
- UNDER I-BEAM HEIGHT IS  $121 \frac{1}{16}$ "
- CASTERS: (4)  $\varnothing 8$ " X 3" WIDE PHENOLIC SWIVEL CASTERS WITH FOUR LOCKING POSITIONS

NONE

**APPROVAL**

I, THE UNDERSIGNED, AGREE THAT THE PRODUCT AS REPRESENTED SATISFIES DESIGN AND DIMENSION REQUIREMENTS. I ALSO ACKNOWLEDGE MY DUTY TO CONFIRM PRODUCT AND INSTALLATION COMPLIANCE WITH ALL APPLICABLE FEDERAL, STATE AND LOCAL REGULATIONS AND STANDARDS.

**UNITS REQUIRING APPROVAL DRAWINGS OR MODIFIED ARE NON-RETURNABLE**

As drawn       As marked

Signed: \_\_\_\_\_ Date: \_\_\_\_\_

Printed Name: \_\_\_\_\_

*LEAD TIME WILL START UPON RECEIPT OF SIGNED APPROVAL DRAWING*

|                      |           |                       |
|----------------------|-----------|-----------------------|
| DISTRIBUTOR'S NAME:  |           | P.O.#                 |
| VESTIL MANUFACTURING |           | X                     |
| DRAWN BY: MTS        |           | DATE: 02/27/16        |
| REFERENCE: X         |           | SCALE: 1:36           |
| QUOTED LEAD TIME: X  | QUOTE # X | FILE NAME: 28-007-380 |