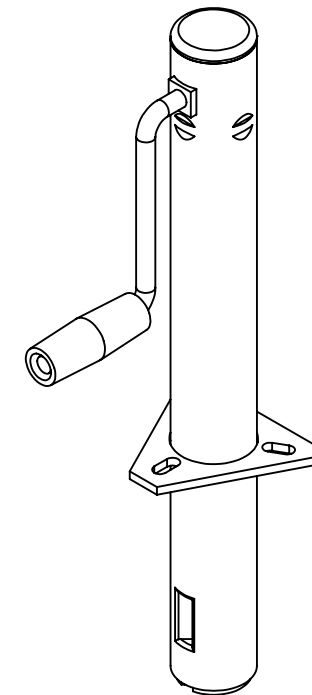
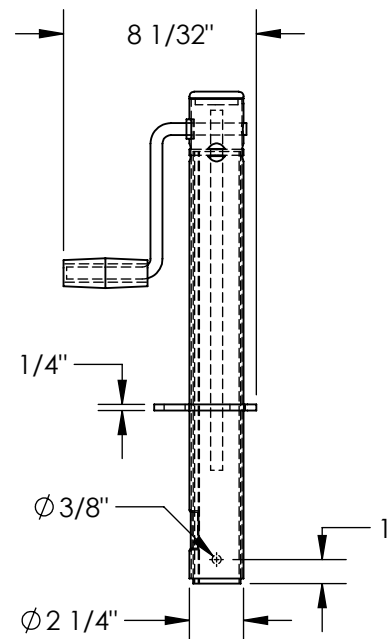
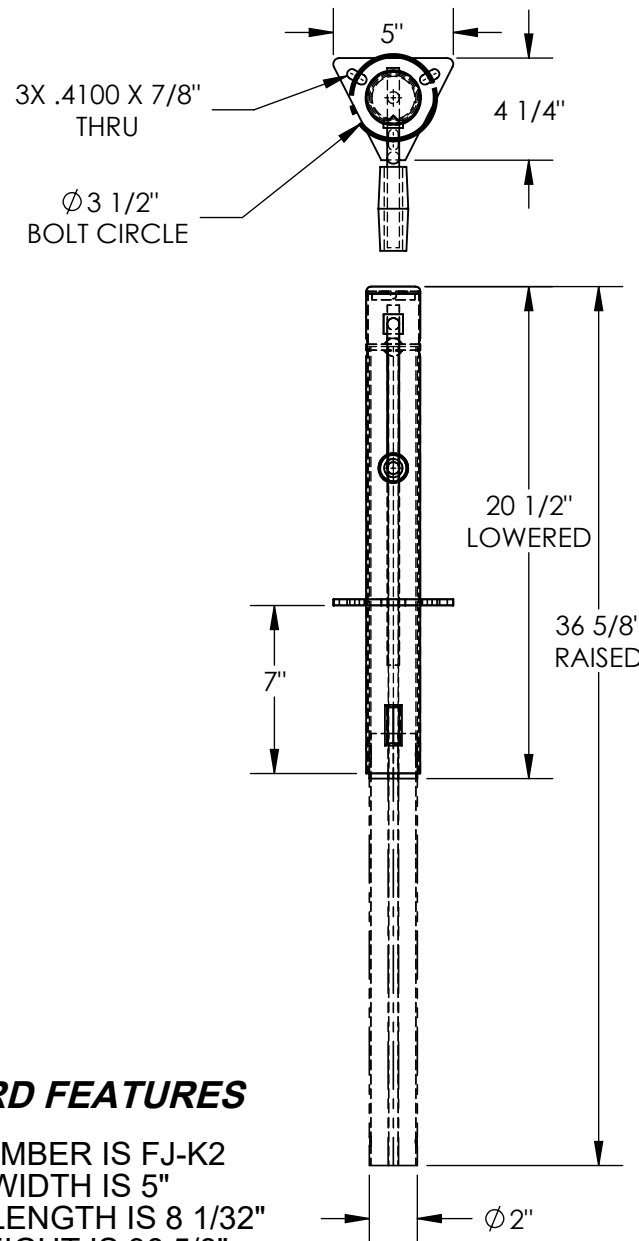


TRAILER JACK (FJ-K2)

APPROX WEIGHT: 7.89 lbs.
DOES NOT INCLUDE WEIGHT OF POWER OR PACKAGING!!!

*** ANY ADDITIONS, DELETIONS, OR OMISSIONS MUST BE CORRECTED ON THIS DRAWING AS THIS DRAWING WILL BE CONSIDERED ALL INCLUSIVE ***

ALL GRAPHICS PROVIDED ARE FOR REFERENCE ONLY. IF CERTAIN DIMENSIONS ARE CRITICAL PLEASE VERIFY THOSE DIMENSIONS WITH YOUR SALESPERSON



DIMENSION TOLERANCE $\pm 1/4"$

STANDARD FEATURES

- MODEL NUMBER IS FJ-K2
- OVERALL WIDTH IS 5"
- OVERALL LENGTH IS 8 1/32"
- RAISED HEIGHT IS 36 5/8"
- LOWERED HEIGHT IS 20 1/2"
- LIFT RANGE IS 16 1/8"
- MAX CAPACITY IS 2000 lbs.
- MOUNT: A-FRAME
- CRANK POSITION: SIDE

SPECIAL FEATURES

NONE

A P P R O V A L

I, THE UNDERSIGNED, AGREE THAT THE PRODUCT AS REPRESENTED SATISFIES DESIGN AND DIMENSION REQUIREMENTS. I ALSO ACKNOWLEDGE MY DUTY TO CONFIRM PRODUCT AND INSTALLATION COMPLIANCE WITH ALL APPLICABLE FEDERAL, STATE AND LOCAL REGULATIONS AND STANDARDS.

UNITS REQUIRING APPROVAL DRAWINGS OR MODIFIED ARE NON-RETURNABLE

As drawn As marked

Signed: _____ Date: _____

Printed Name: _____

LEAD TIME WILL START UPON RECEIPT OF SIGNED APPROVAL DRAWING

| | | |
|----------------------|---------|----------------|
| DISTRIBUTOR'S NAME: | | P.O.# |
| VESTIL MANUFACTURING | | X |
| DRAWN BY: S. HAMBLER | | DATE: 08/07/12 |
| REFERENCE: X | | SCALE: 1:8 |
| QUOTED LEAD TIME: X | QUOTE # | FILE NAME: |
| | X | 13-007-052 |