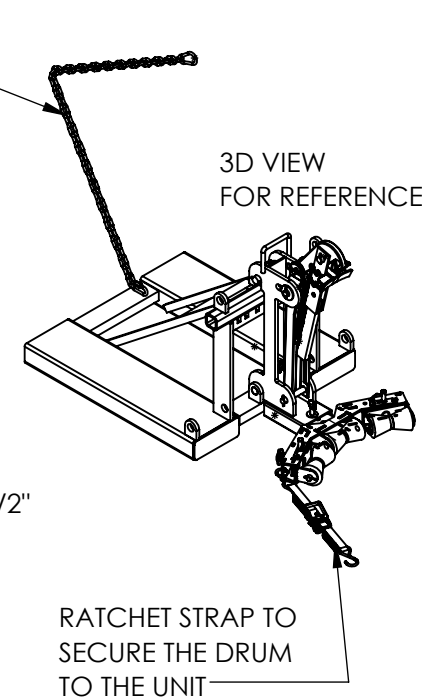
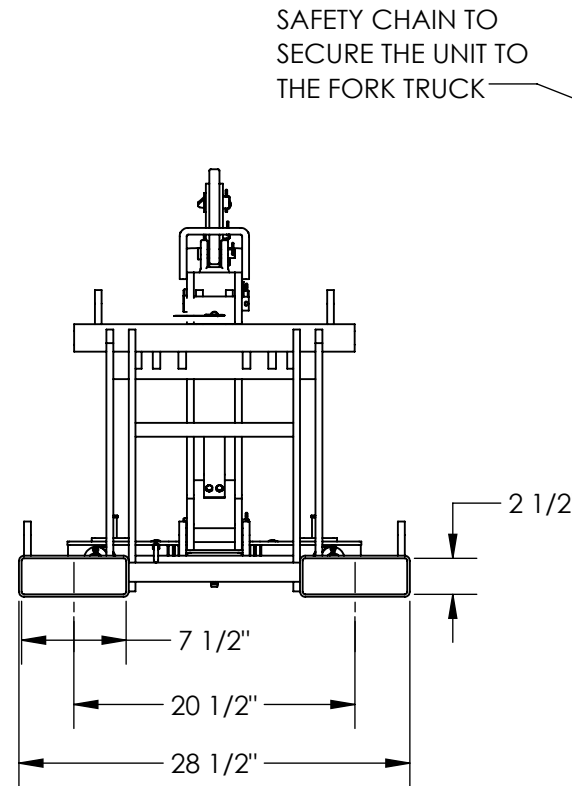
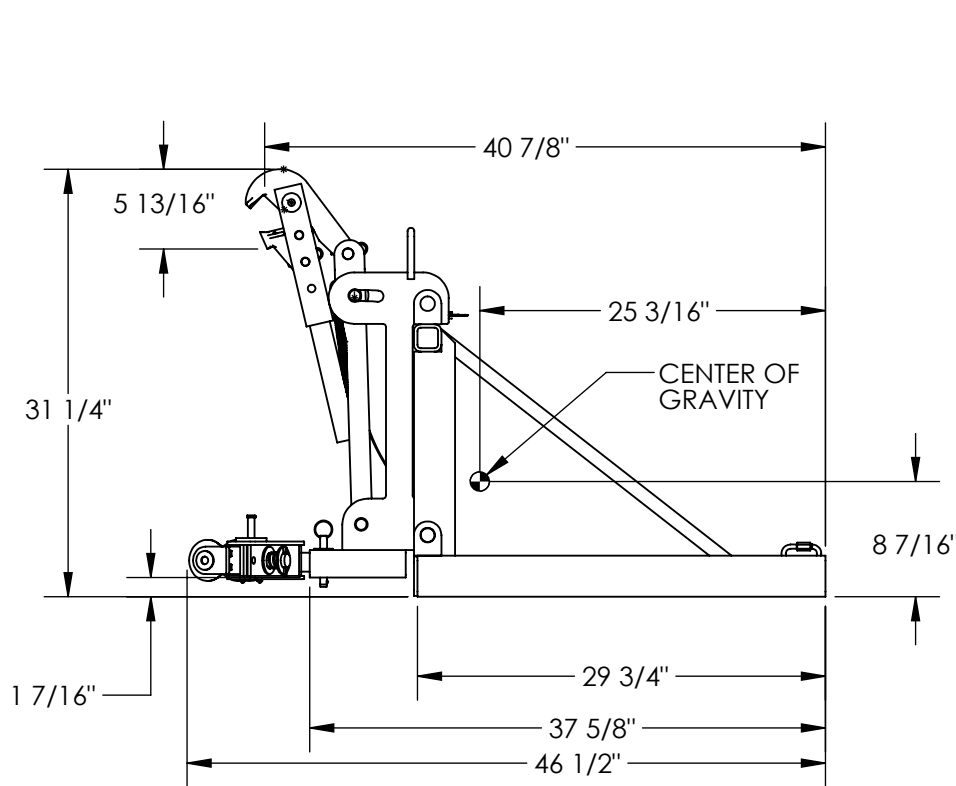


# AUTOMATIC EAGLE BEAK DRUM LIFTER - FMDL-1-LDS-R3

APPROX WEIGHT: 205.13 lbs.  
 DOES NOT INCLUDE WEIGHT OF POWER OR PACKAGING!!!

\*\*\* ANY ADDITIONS, DELETIONS, OR OMISSIONS MUST BE CORRECTED ON THIS DRAWING AS THIS DRAWING WILL BE CONSIDERED ALL INCLUSIVE \*\*\*

ALL GRAPHICS PROVIDED ARE FOR REFERENCE ONLY. IF CERTAIN DIMENSIONS ARE CRITICAL PLEASE VERIFY THOSE DIMENSIONS WITH YOUR SALESPERSON



SAFETY CHAIN TO SECURE THE UNIT TO THE FORK TRUCK

3D VIEW FOR REFERENCE

RATCHET STRAP TO SECURE THE DRUM TO THE UNIT

## STANDARD FEATURES

- MODEL NUMBER IS FMDL-1-LDS-R3
- CAPACITY IS 1,000 LBS (ONE DRUM)
- OVERALL LENGTH IS 46 1/2"
- OVERALL WIDTH IS 28 1/2"
- OVERALL HEIGHT IS 31 1/4"
- FOR USE WITH 30 & 55 GALLON PLASTIC, STEEL, & FIBER DRUMS
- DRUMS MAY HAVE OPEN OR CLOSED HEADS (LID INSTALLED AND SECURED)
- DRUMS MUST HAVE A TOP LIP STRONG ENOUGH TO SUPPORT THE WEIGHT OF THE DRUM
- INCLUDES SAFETY CHAIN & SNAP HOOK TO SECURE UNIT TO FORK TRUCK
- INCLUDES RATCHET STRAP TO SECURE DRUM TO UNIT
- WELDED STEEL CONSTRUCTION
- TOUGH BAKED IN POWDER COAT BLUE FINISH
- USABLE FORK POCKETS ARE 7 1/2" W X 2 1/2" H
- FORK POCKETS ARE ON 20 1/2" CENTERS
- ROLLER STYLE DRUM LIFTER
- 3 RUBBER ROLLERS SUPPORT A DRUM WITHOUT SCRATCHING
- LOST LOAD IS 210 LBS. (APPROX)
- EFFECTIVE THICKNESS IS FORK LENGTH MINUS 29 3/4"

NEVER EXCEED LOAD CENTER RATING PER FORK TRUCK MANUFACTURER'S GUIDELINES. DO NOT USE THIS FORK TRUCK ATTACHEMENT IF LOAD WILL EXCEED FORK TRUCK MANUFACTURER'S LOAD CENTER RATING.

## SPECIAL FEATURES

NONE

DIMENSION TOLERANCE ± 1/4"

|   |  |             |
|---|--|-------------|
| <b>APPROVAL</b>   | I, THE UNDERSIGNED, AGREE THAT THE PRODUCT AS REPRESENTED SATISFIES DESIGN AND DIMENSION REQUIREMENTS. I ALSO ACKNOWLEDGE MY DUTY TO CONFIRM PRODUCT AND INSTALLATION COMPLIANCE WITH ALL APPLICABLE FEDERAL, STATE AND LOCAL REGULATIONS AND STANDARDS. |             |
|   | <b>ANY MODIFIED UNITS ARE NON-RETURNABLE</b>   |             |
|   | [ ] As drawn      [ ] As marked  |             |
|   | Signed: _____  | Date: _____ |
| Printed Name: _____   |  |             |
| <b>LEAD TIME WILL START UPON RECEIPT OF SIGNED APPROVAL DRAWING</b> |  |             |

|   |  |
|---|--|
| FOR INTERNAL USE ONLY<br>PROJECT SIGN OFF |  |
| SALES                                     |  |
| ENG.                                      |  |
| FAB.                                      |  |
| POWER                                     |  |

|                             |             |            |
|-----------------------------|-------------|------------|
| DISTRIBUTOR'S NAME:         |             | P.O.#      |
| <b>VESTIL MANUFACTURING</b> |             | X          |
| DRAWN BY: BJW               |             | W.O.#      |
| DATE: 4/14/2017             |             | X          |
| REFERENCE: X                | SCALE: 1:14 | SALES: X   |
| QUOTED LEAD TIME: X         | QUOTE #     | FILE NAME: |
|                             | X           | 40-007-099 |