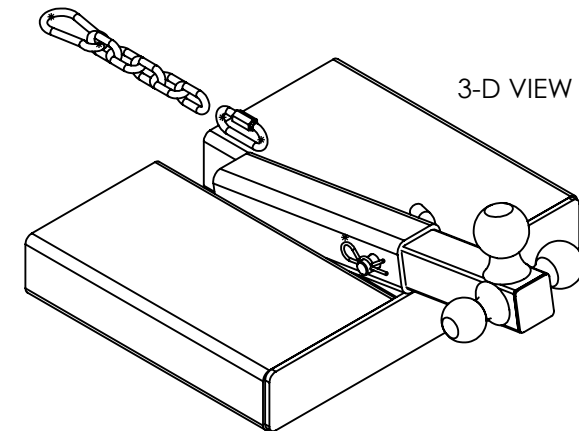
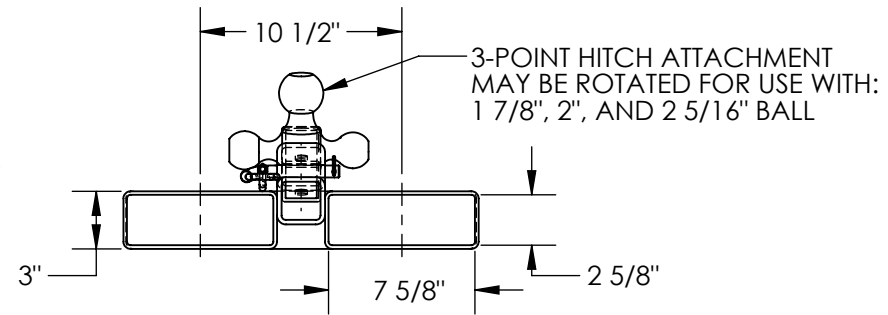
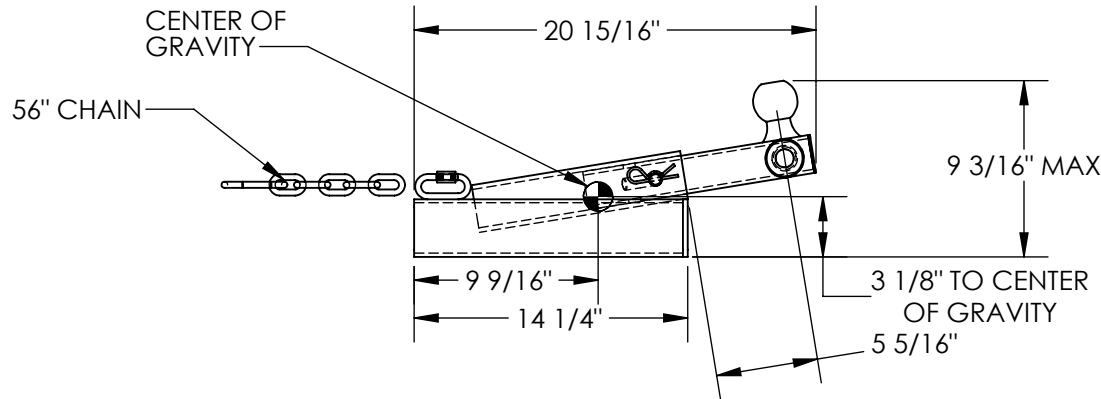


# FORK LIFT HITCH - FTTM-2

APPROX WEIGHT: 51.42 lbs.  
DOES NOT INCLUDE WEIGHT OF POWER OR PACKAGING!!!

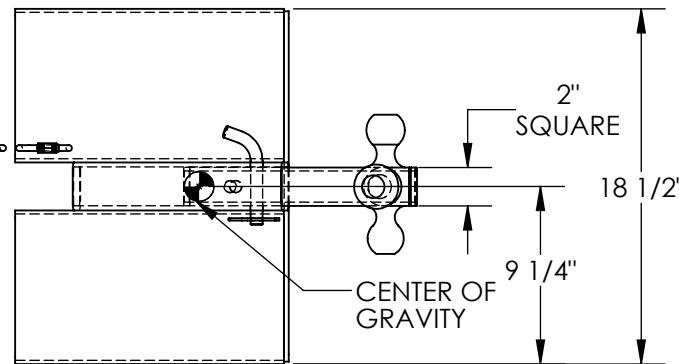
\*\*\* ANY ADDITIONS, DELETIONS, OR OMISSIONS MUST BE CORRECTED ON THIS DRAWING AS THIS DRAWING WILL BE CONSIDERED ALL INCLUSIVE \*\*\*

ALL GRAPHICS PROVIDED ARE FOR REFERENCE ONLY. IF CERTAIN DIMENSIONS ARE CRITICAL PLEASE VERIFY THOSE DIMENSIONS WITH YOUR SALESPERSON



3-D VIEW

DIMENSION TOLERANCE ± 1/4"



5/16" SNAP HOOK

2" SQUARE

CENTER OF GRAVITY

## STANDARD FEATURES

- MODEL NUMBER IS FTTM-2
- OVERALL WIDTH IS 18 1/2"
- OVERALL LENGTH IS 20 15/16"
- OVERALL HEIGHT IS 9 3/16"
- LOST LOAD = 45 lbs.
- MINIMUM EFFECTIVE THICKNESS = FORK LENGTH MINUS 14"
- USABLE FORK POCKET = 7 5/8" x 2 5/8"
- 56" CHAIN INCLUDED

- 1,500 LB MAX TONGUE LOAD
- MAX PUSH CAPACITY FOR 1 7/8" BALL IS 2,000 LBS
- MAX PUSH CAPACITY FOR 2" BALL IS 3,500 LBS
- MAX PUSH CAPACITY FOR 2 5/16" BALL IS 7,500 LBS
- UNIT NOT INTENDED FOR PULLING (CHAIN LIMITS LOAD CAPACITY)
- HITCH ATTACHMENT TOUGH BAKED IN POWDER COATED BLACK FINISH
- FRAME TOUGH BAKED IN POWDER COATED YELLOW FINISH
- NEVER EXCEED LOAD CENTER RATING PER FORK TRUCK MANUFACTURER'S GUIDELINES.
- DO NOT USE THIS FORK TRUCK ATTACHMENT IF LOAD WILL EXCEED FORK TRUCK MANUFACTURER'S LOAD CENTER RATING.

\* OSHA REQUIRES ALL FORK LIFT ATTACHMENTS TO BE APPROVED BY THE FORK TRUCK MANUFACTURER. RELABELING OF FORK TRUCK MAY BE REQUIRED DUE TO CHANGES IN LOAD CENTERS. IT IS THE RESPONSIBILITY OF THE CUSTOMER TO GET PERMISSION FROM THE FORK TRUCK MANUFACTURER FOR USE ON THEIR SPECIFIC FORK TRUCKS.

**SPECIAL FEATURES**  
NONE

**APPROVAL**

I, THE UNDERSIGNED, AGREE THAT THE PRODUCT AS REPRESENTED SATISFIES DESIGN AND DIMENSION REQUIREMENTS. I ALSO ACKNOWLEDGE MY DUTY TO CONFIRM PRODUCT AND INSTALLATION COMPLIANCE WITH ALL APPLICABLE FEDERAL, STATE AND LOCAL REGULATIONS AND STANDARDS.

**UNITS REQUIRING APPROVAL DRAWINGS OR MODIFIED ARE NON-RETURNABLE**

As drawn       As marked

Signed: \_\_\_\_\_ Date: \_\_\_\_\_

Printed Name: \_\_\_\_\_

*LEAD TIME WILL START UPON RECEIPT OF SIGNED APPROVAL DRAWING*

DISTRIBUTOR'S NAME:		P.O.#
VESTIL MANUFACTURING		X
DRAWN BY: B. HORN		DATE: 04/03/15
REFERENCE: X		SCALE: 1:10
QUOTED LEAD TIME: X	QUOTE #	FILE NAME:
	X	08-007-287