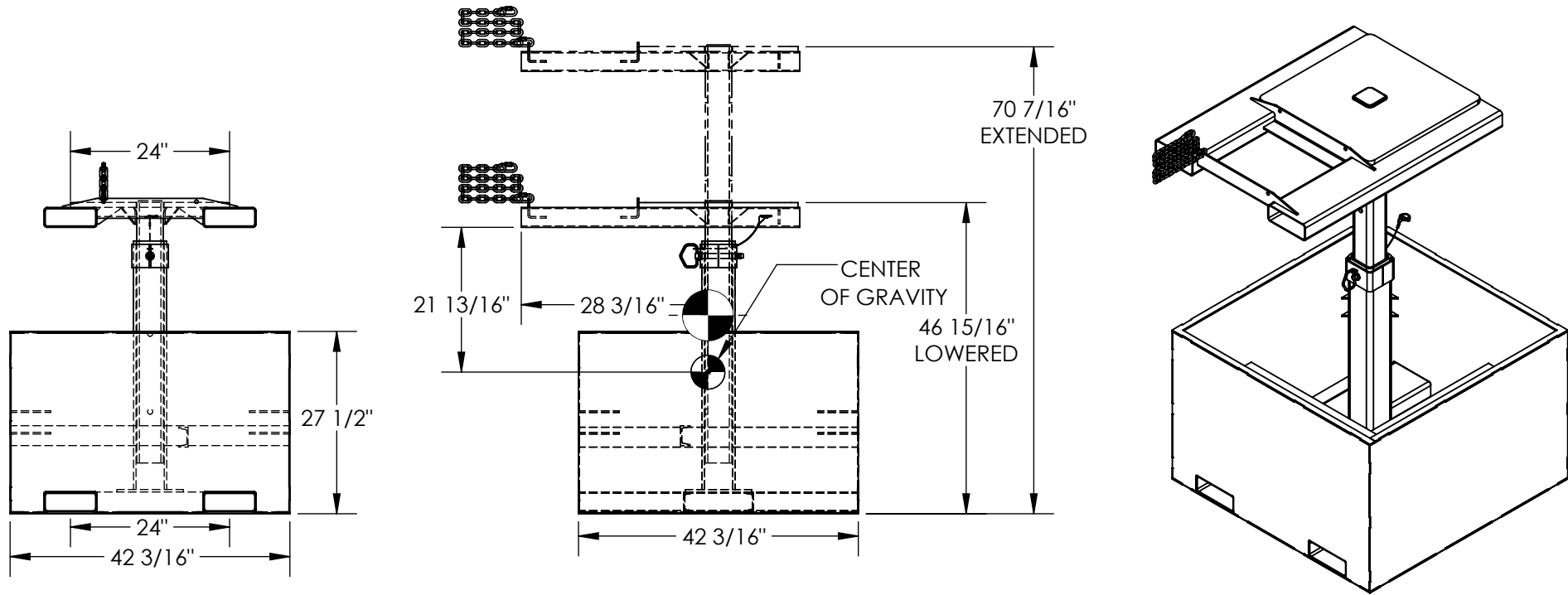


FORK MOUNTED TRASH BIN COMPACTOR - FWBC-4242-4

APPROX WEIGHT: 785 lbs.
 DOES NOT INCLUDE WEIGHT OF POWER OR PACKAGING!!!

*** ANY ADDITIONS, DELETIONS, OR OMISSIONS MUST BE CORRECTED ON THIS DRAWING AS THIS DRAWING WILL BE CONSIDERED ALL INCLUSIVE ***

ALL GRAPHICS PROVIDED ARE FOR REFERENCE ONLY. IF CERTAIN DIMENSIONS ARE CRITICAL PLEASE VERIFY THOSE DIMENSIONS WITH YOUR SALESPERSON



STANDARD FEATURES

MODEL NUMBER IS FWBC-4242-4
 OVERALL WIDTH IS 42 3/16"
 OVERALL LENGTH IS 42 3/16"
 EXTENDED HEIGHT IS 70 7/16"
 LOWERED HEIGHT IS 46 15/16"
 FORK POCKETS ARE 7 1/2" x 2 1/2"
 USABLE ON 24" CENTERS
 DURABLE LIQUID PAINT BLUE FINISH
 FILLED WEIGHT 4000 LBS. APPROX.

APPROX. WEIGHT / LOST LOAD = 785 LBS.
 MINIMUM EFFECTIVE THICKNESS = LESS THAN 1"
 NEVER EXCEED LOAD CENTER
 RATING PER FORKTRUCK
 MANUFACTURERS GUIDELINES.
 DO NOT USE THIS FORK TRUCK
 ATTACHMENT IF LOAD WILL
 EXCEED FORK TRUCK MANUFACTURER'S
 LOAD CENTER RATING

DIMENSION TOLERANCE ± 1/4"

SPECIAL FEATURES

NONE

APPROVAL	I, THE UNDERSIGNED, AGREE THAT THE PRODUCT AS REPRESENTED SATISFIES DESIGN AND DIMENSION REQUIREMENTS. I ALSO ACKNOWLEDGE MY DUTY TO CONFIRM PRODUCT AND INSTALLATION COMPLIANCE WITH ALL APPLICABLE FEDERAL, STATE AND LOCAL REGULATIONS AND STANDARDS.	
	UNITS REQUIRING APPROVAL DRAWINGS OR MODIFIED ARE NON-RETURNABLE	
	<input type="checkbox"/> As drawn	<input type="checkbox"/> As marked
	Signed: _____	Date: _____
	Printed Name: _____	
	LEAD TIME WILL START UPON RECEIPT OF SIGNED APPROVAL DRAWING	

DISTRIBUTOR'S NAME:		P.O.#
VESTIL MANUFACTURING		X
DRAWN BY: CJC		W.O.#
DATE: 5/31/2022		X
REFERENCE: X	SCALE: 1:24	SALES: X
QUOTED LEAD TIME: X	QUOTE #	FILE NAME:
	X	47-007-064