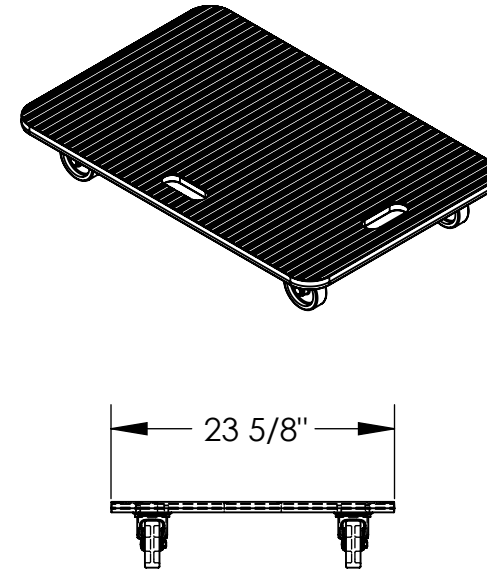
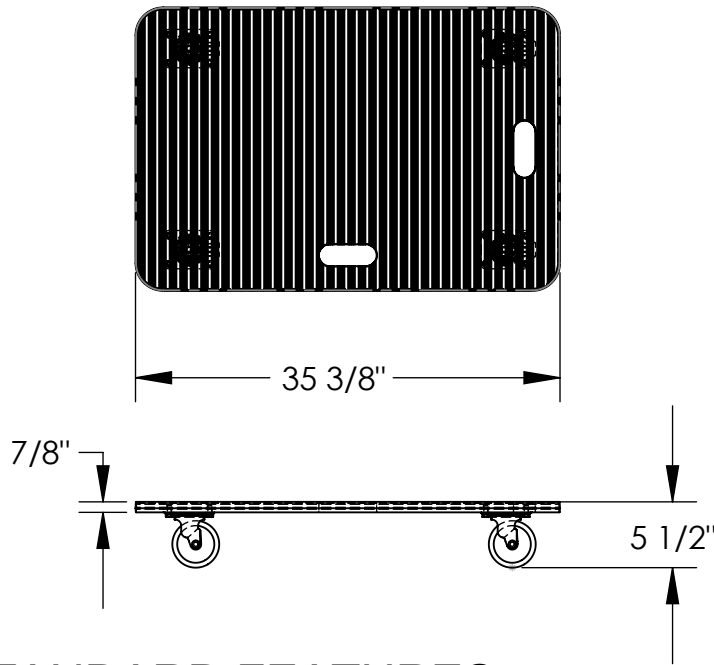


FIBERWOOD DOLLY- FWD-2436-4PP

APPROXIMATE WEIGHT IS: 22 lbs.

*** ANY ADDITIONS, DELETIONS, OR OMISSIONS MUST BE CORRECTED ON THIS DRAWING AS THIS DRAWING WILL BE CONSIDERED ALL INCLUSIVE ***

ALL GRAPHICS PROVIDED ARE FOR REFERENCE ONLY. IF CERTAIN DIMENSIONS ARE CRITICAL PLEASE VERIFY THOSE DIMENSIONS WITH YOUR SALESPERSON



STANDARD FEATURES

- MODEL NUMBER IS: FWD-2436-4PP
- WEIGHT IS: 22 LBS.
- CAPACITY IS: 600 LBS.
- OVERALL WIDTH IS: 23 5/8"
- OVERALL LENGTH IS: 35 3/8"
- OVERALL HEIGHT IS: 5 1/2"
- FEATURES A RUBBER PADDED SURFACE
- TWO HAND HOLES FOR CARRYING DOLLY
- PVC EDGE STRIP PROTECTS WALLS FROM SCRAPES
- NON-MARRING, OIL RESISTANT SWIVEL WHEELS
- UTILIZES POLYPROPYLENE CASTERS

SPECIAL FEATURES

NONE

ALL SPECIAL UNITS ARE NON-RETURNABLE

A P P R O V A L	I, the undersigned, hereby approve this print. This includes my approval of design & dimensions	
	<input type="checkbox"/> As drawn	<input type="checkbox"/> As marked
	Signed: _____ Date: _____	
	LEAD TIME WILL START UPON RECEIPT OF SIGNED APPROVAL DRAWING	

DISTRIBUTOR'S NAME: VESTIL MANUFACTURING		P.O.# X
DRAWN BY: T. MOORE		W.O.# X
DATE: 04/30/08	SCALE: 1:16	SALES: X
REFERENCE: X	QUOTE # X	FILE NAME: 16-007-151