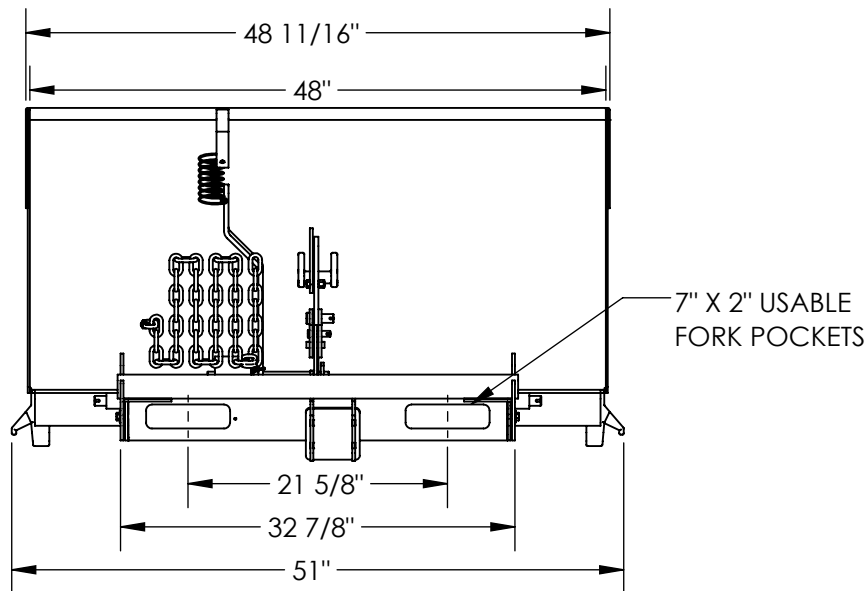


BUMP AND DUMP 90° HOPPER - H-100-HD-BD

APPROX WEIGHT: 451 lbs.
 DOES NOT INCLUDE WEIGHT OF POWER OR PACKAGING!!!

*** ANY ADDITIONS, DELETIONS, OR OMISSIONS MUST BE CORRECTED ON THIS DRAWING AS THIS DRAWING WILL BE CONSIDERED ALL INCLUSIVE ***

ALL GRAPHICS PROVIDED ARE FOR REFERENCE ONLY. IF CERTAIN DIMENSIONS ARE CRITICAL PLEASE VERIFY THOSE DIMENSIONS WITH YOUR SALESPERSON



APPROX. WEIGHT / LOST LOAD = 451 LBS.
 MINIMUM EFFECTIVE THICKNESS =
 FORK LENGTH MINUS 31 1/2"

NEVER EXCEED LOAD CENTER
 RATING PER FORKTRUCK
 MANUFACTURERS GUIDELINES.
 DO NOT USE THIS FORK TRUCK
 ATTACHMENT IF LOAD WILL
 EXCEED FORK TRUCK MANUFACTURER'S
 LOAD CENTER RATING

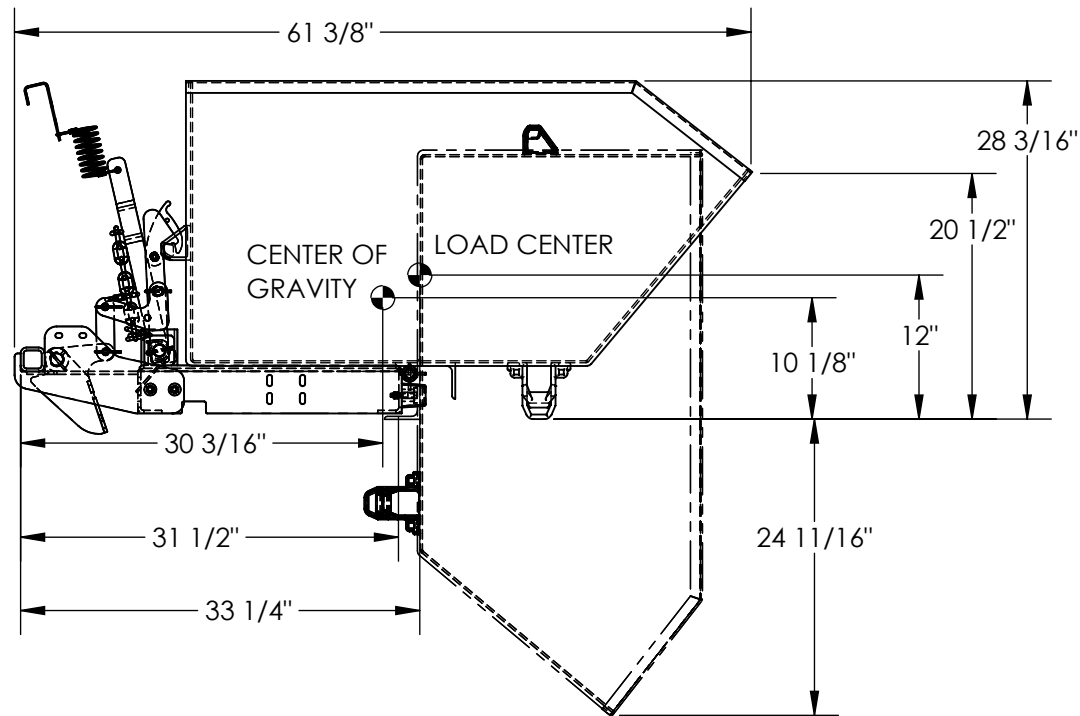
STANDARD FEATURES

MODEL NUMBER IS H-100-HD-BD
 OVERALL WIDTH IS 51"
 INSIDE WIDTH IS 48"
 OVERALL LENGTH IS 28 3/16"
 OVERALL HEIGHT IS 28 3/16"
 MAX CAPACITY IS 6,000 LBS.
 VOLUME IS 1 CU. YRDS.
 HOPPER IS TOUGH BAKED IN POWDER
 COATED BLUE FINISH
 BUMP AND DUMP MECHANISM IS
 TOUGH BAKED IN POWDER COATED YELLOW FINISH

**** ADDITION OF CASTERS MAY
 CHANGE WEIGHT CAPACITY
 BASED ON CASTER RATING**

SPECIAL FEATURES

NONE



DIMENSION TOLERANCE ± 1/4"

APPROVAL	I, THE UNDERSIGNED, AGREE THAT THE PRODUCT AS REPRESENTED SATISFIES DESIGN AND DIMENSION REQUIREMENTS. I ALSO ACKNOWLEDGE MY DUTY TO CONFIRM PRODUCT AND INSTALLATION COMPLIANCE WITH ALL APPLICABLE FEDERAL, STATE AND LOCAL REGULATIONS AND STANDARDS.	
	UNITS REQUIRING APPROVAL DRAWINGS OR MODIFIED ARE NON-RETURNABLE	
	<input type="checkbox"/> As drawn	<input type="checkbox"/> As marked
	Signed: _____	Date: _____
	Printed Name: _____	
	LEAD TIME WILL START UPON RECEIPT OF SIGNED APPROVAL DRAWING	

DISTRIBUTOR'S NAME:		P.O.#
VESTIL MANUFACTURING		X
DRAWN BY: JWW		W.O.#
DATE: 2/3/2022		X
REFERENCE: X	SCALE: 1:16	SALES: X
QUOTED LEAD TIME: X	QUOTE # X	FILE NAME:
		37-007-185