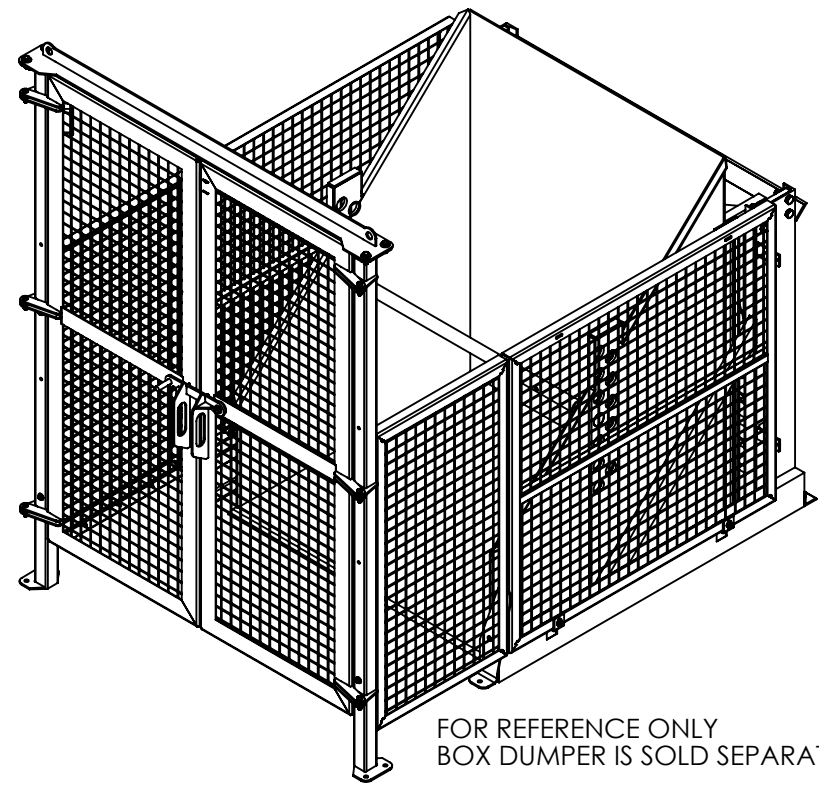
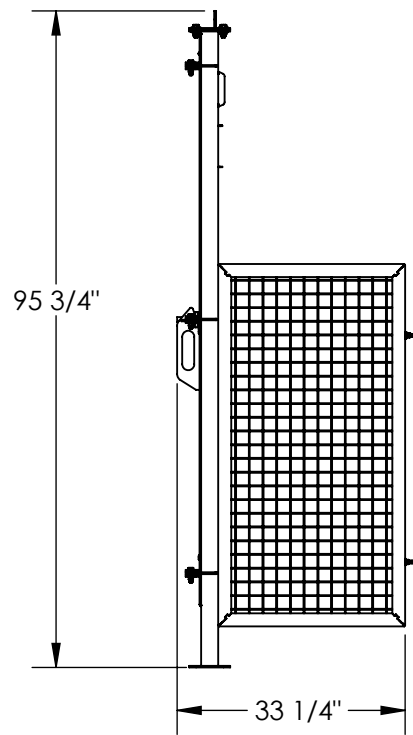
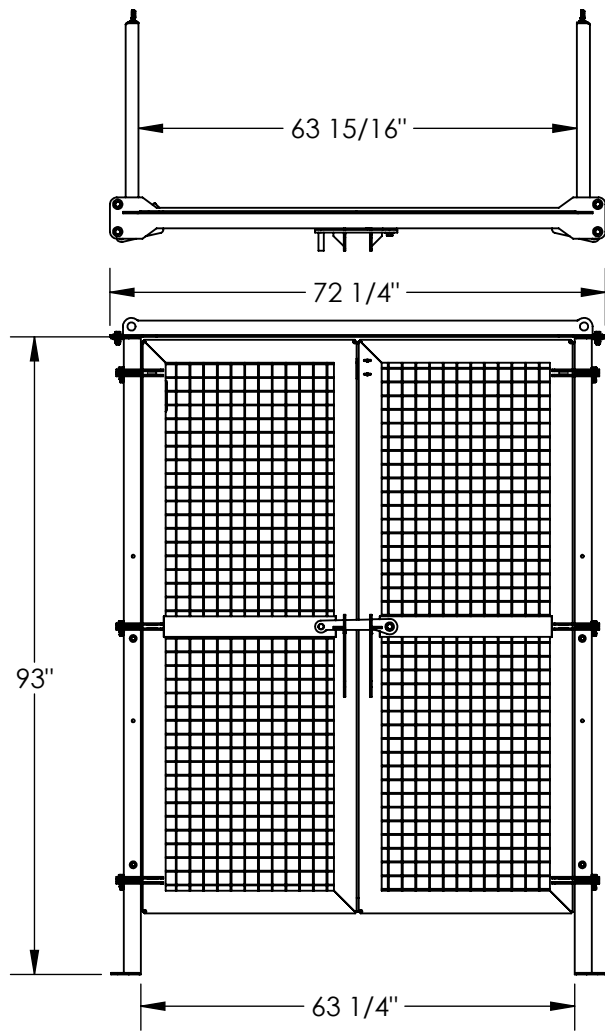


# GATE - HBD-GATE-48

APPROX WEIGHT: 332.18 lbs.  
 DOES NOT INCLUDE WEIGHT OF POWER OR PACKAGING!!!

\*\*\* ANY ADDITIONS, DELETIONS, OR OMISSIONS MUST BE CORRECTED ON THIS DRAWING AS THIS DRAWING WILL BE CONSIDERED ALL INCLUSIVE \*\*\*  
 ALL GRAPHICS PROVIDED ARE FOR REFERENCE ONLY. IF CERTAIN DIMENSIONS ARE CRITICAL PLEASE VERIFY THOSE DIMENSIONS WITH YOUR SALESPERSON



FOR REFERENCE ONLY  
 BOX DUMPER IS SOLD SEPARATELY

DIMENSION TOLERANCE ± 1/4"

## STANDARD FEATURES

MODEL NUMBER IS HBD-GATE-48  
 OVERALL WIDTH IS 72 1/4"  
 USABLE WIDTH IS 63 1/4"  
 OVERALL LENGTH IS 33 1/4"  
 USABLE HEIGHT IS 93"  
 OVERALL HEIGHT IS 95 3/4"  
 USED ON HBD-2-48, HBD-4-48, HBD-6-48  
 GATE WILL INCLUDE NON-CONTACT  
 MAGNETIC INTERLOCK SWITCH  
 UNIT WILL NOT OPERATE WHEN GATE IS OPEN  
 GUARDS AND GATE DURABLE BAKED IN POWDER COAT YELLOW FINISH

## SPECIAL FEATURES

NONE

<b>APPROVAL</b>	I, THE UNDERSIGNED, AGREE THAT THE PRODUCT AS REPRESENTED SATISFIES DESIGN AND DIMENSION REQUIREMENTS. I ALSO ACKNOWLEDGE MY DUTY TO CONFIRM PRODUCT AND INSTALLATION COMPLIANCE WITH ALL APPLICABLE FEDERAL, STATE AND LOCAL REGULATIONS AND STANDARDS.	
	<b>UNITS REQUIRING APPROVAL DRAWINGS OR MODIFIED ARE NON-RETURNABLE</b>	
	[ ] As drawn      [ ] As marked	
Signed: _____		Date: _____
Printed Name: _____		
<b>LEAD TIME WILL START UPON RECEIPT OF SIGNED APPROVAL DRAWING</b>		

DISTRIBUTOR'S NAME:		P.O.#
<b>VESTIL MANUFACTURING</b>		X
		W.O.#
DRAWN BY: CA		X
DATE: 09/29/2016		SALES: X
REFERENCE: X	SCALE: 1:28	FILE NAME:
QUOTED LEAD TIME: X	QUOTE # X	34-007-042