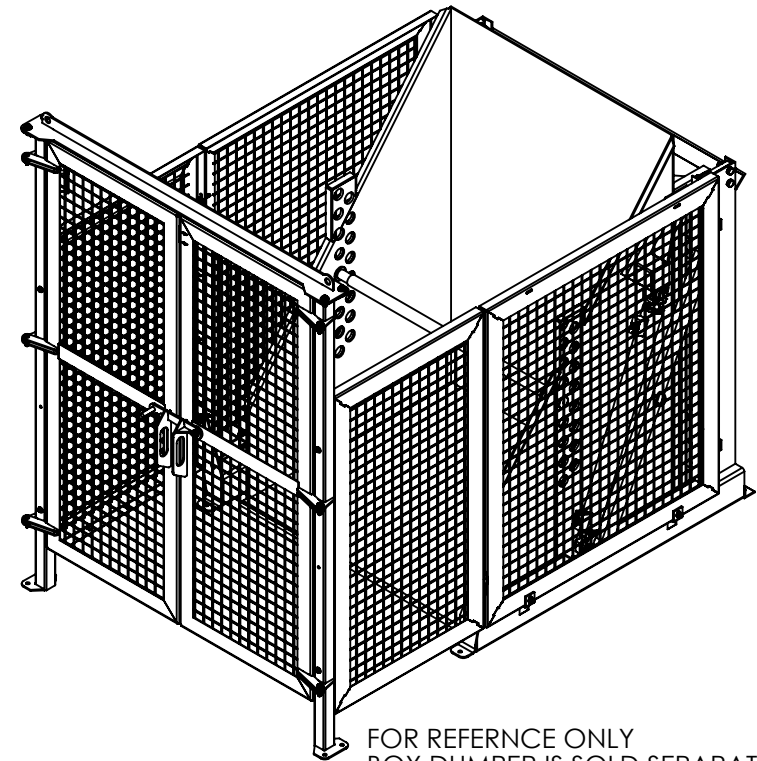
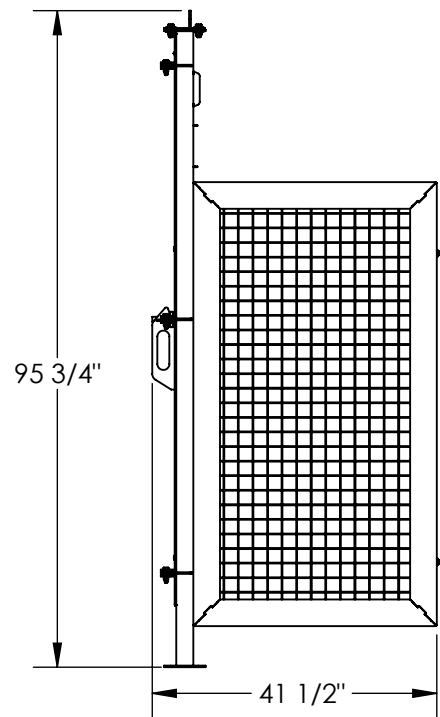
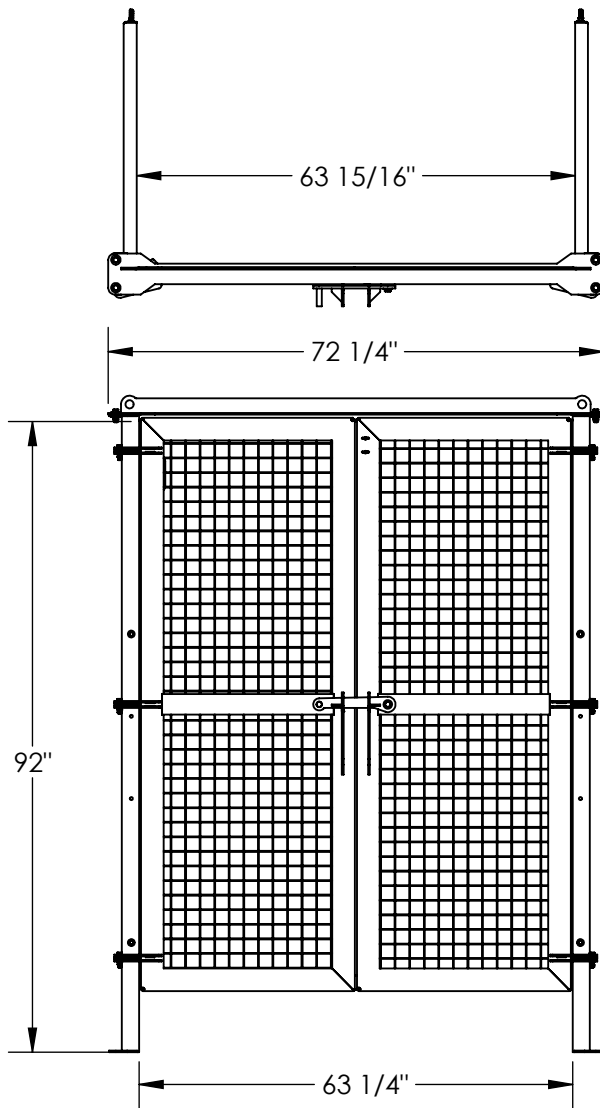


GATE - HBD-GATE-60

APPROX WEIGHT: 373.43 lbs.
 DOES NOT INCLUDE WEIGHT OF POWER OR PACKAGING!!!

*** ANY ADDITIONS, DELETIONS, OR OMISSIONS MUST BE CORRECTED ON THIS DRAWING AS THIS DRAWING WILL BE CONSIDERED ALL INCLUSIVE ***
 ALL GRAPHICS PROVIDED ARE FOR REFERENCE ONLY. IF CERTAIN DIMENSIONS ARE CRITICAL PLEASE VERIFY THOSE DIMENSIONS WITH YOUR SALESPERSON



FOR REFERENCE ONLY
 BOX DUMPER IS SOLD SEPARATELY
 DIMENSION TOLERANCE $\pm 1/4"$

APPROVAL

I, THE UNDERSIGNED, AGREE THAT THE PRODUCT AS REPRESENTED SATISFIES DESIGN AND DIMENSION REQUIREMENTS. I ALSO ACKNOWLEDGE MY DUTY TO CONFIRM PRODUCT AND INSTALLATION COMPLIANCE WITH ALL APPLICABLE FEDERAL, STATE AND LOCAL REGULATIONS AND STANDARDS.

UNITS REQUIRING APPROVAL DRAWINGS OR MODIFIED ARE NON-RETURNABLE

As drawn As marked

Signed: _____ Date: _____

Printed Name: _____

LEAD TIME WILL START UPON RECEIPT OF SIGNED APPROVAL DRAWING

STANDARD FEATURES

- MODEL NUMBER IS HBD-GATE-60
- OVERALL WIDTH IS 72 1/4"
- USABLE WIDTH IS 63 1/4"
- OVERALL LENGTH IS 41 1/2"
- USABLE HEIGHT IS 92"
- OVERALL HEIGHT IS 95 3/4"
- USED ON HBD-X-60
- GATE WILL INCLUDE NON-CONTACT MAGNETIC INTERLOCK SWITCH
- UNIT WILL NOT OPERATE WHEN GATE IS OPEN
- GUARDS AND GATE TOUGH BAKED IN POWDER COAT YELLOW FINISH

SPECIAL FEATURES

NONE

| | | |
|----------------------|-------------|------------|
| DISTRIBUTOR'S NAME: | | P.O.# |
| VESTIL MANUFACTURING | | X |
| DRAWN BY: CA | | W.O.# |
| DATE: 09/29/2016 | | X |
| REFERENCE: X | SCALE: 1:28 | SALES: X |
| QUOTED LEAD TIME: X | QUOTE # | FILE NAME: |
| | X | 34-007-043 |