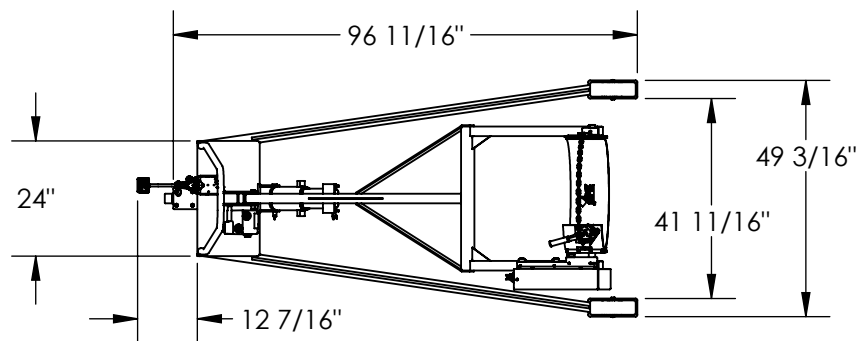


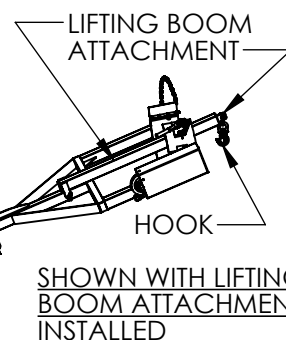
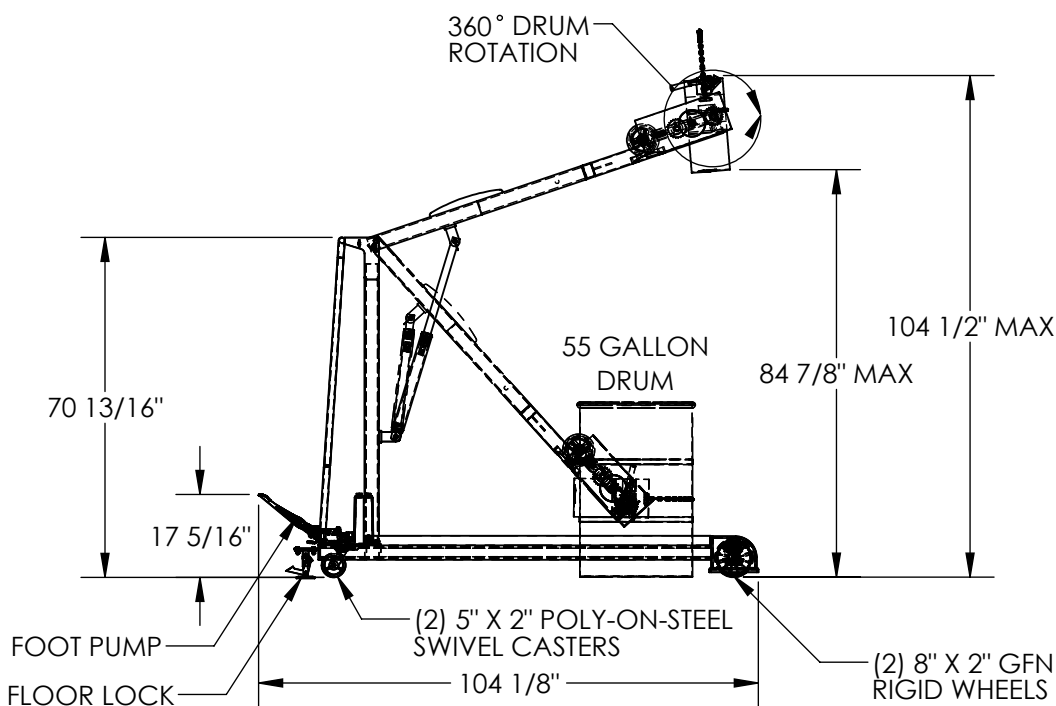
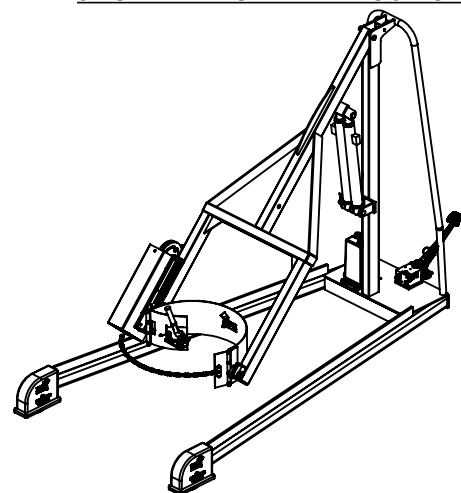
PORTABLE HYDRAULIC DRUM CARRIER/ROTATOR - HDC-305-84

APPROX WEIGHT: 584.71 lbs.
DOES NOT INCLUDE WEIGHT OF POWER OR PACKAGING!!!

ANY ADDITIONS, DELETIONS, OR OMISSIONS MUST BE CORRECTED ON THIS DRAWING AS THIS DRAWING WILL BE CONSIDERED ALL INCLUSIVE



SHOWN IN LOWERED POSITION



ALL GRAPHICS PROVIDED ARE FOR REFERENCE ONLY. IF CERTAIN DIMENSIONS ARE CRITICAL PLEASE VERIFY THOSE DIMENSIONS WITH YOUR SALESPERSON

STANDARD FEATURES

- MODEL NUMBER IS HDC-305-84
- CAPACITY IS 800 LBS
- OVERALL WIDTH IS 49 3/16"
- MAXIMUM OVERALL LENGTH IS 104 1/8"
- OVERALL HEIGHT IS 104 1/2"
- OUT RIGGER INSIDE DIMENSION IS 41 11/16"
- DRUM RAISED HEIGHT IS 84 7/8"
- (2) 5" X 2" REAR SWIVEL POLY-ON-STEEL CASTERS
- (2) 8" X 2" FRONT RIGID GFN WHEELS
- PULL CHAIN DRUM ROTATION (360°)
- FOOT PUMP
- FLOOR LOCK
- DURABLE LIQUID PAINT BLUE FINISH
- LIFTING BOOM ATTACHMENT - MAY BE USED FOR LIFTING OBJECTS USING THE HOOK

DIMENSION TOLERANCE $\pm 1/4"$

APPROVAL

I, THE UNDERSIGNED, AGREE THAT THE PRODUCT AS REPRESENTED SATISFIES DESIGN AND DIMENSION REQUIREMENTS. I ALSO ACKNOWLEDGE MY DUTY TO CONFIRM PRODUCT AND INSTALLATION COMPLIANCE WITH ALL APPLICABLE FEDERAL, STATE AND LOCAL REGULATIONS AND STANDARDS.
UNITS REQUIRING APPROVAL DRAWINGS OR MODIFIED ARE NON-RETURNABLE
[] As drawn [] As marked

Signed: _____ Date: _____

Printed Name: _____

LEAD TIME WILL START UPON RECEIPT OF SIGNED APPROVAL DRAWING

DISTRIBUTOR'S NAME:		P.O.#
VESTIL MANUFACTURING		X
DRAWN BY: DEY	DATE: 12/07/11	W.O.#
REFERENCE: X	SCALE: 1:40	X
QUOTED LEAD TIME: X	QUOTE #	FILE NAME:
	X	09-007-038

SPECIAL FEATURES

NONE