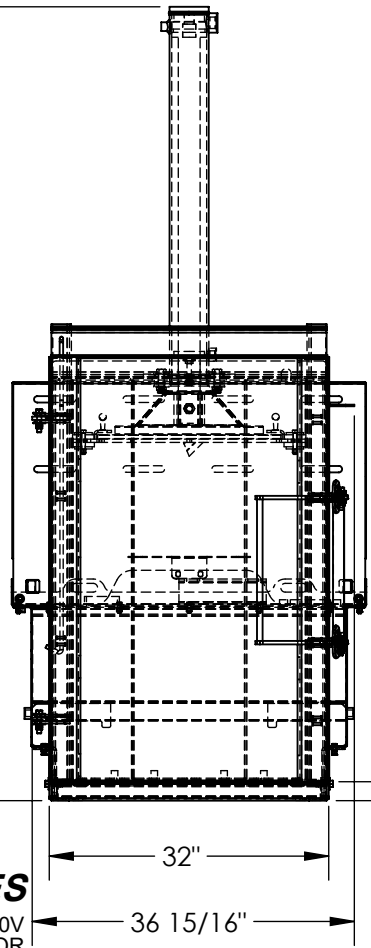


HIGH-CYCLE HYDRAULIC DRUM CRUSHER/ COMPACTOR - HDC-905-HC/460V

APPROX WEIGHT: 1429.46 lbs.
 DOES NOT INCLUDE WEIGHT OF POWER OR PACKAGING!!!

*** ANY ADDITIONS, DELETIONS, OR OMISSIONS MUST BE CORRECTED ON THIS DRAWING AS THIS DRAWING WILL BE CONSIDERED ALL INCLUSIVE ***
 ALL GRAPHICS PROVIDED ARE FOR REFERENCE ONLY. IF CERTAIN DIMENSIONS ARE CRITICAL PLEASE VERIFY THOSE DIMENSIONS WITH YOUR SALESPERSON

90 15/16"
 USABLE INSIDE
 DIMENSIONS:
 25" WIDE,
 25" DEEP,
 35 3/4" TALL



32"
 36 15/16"

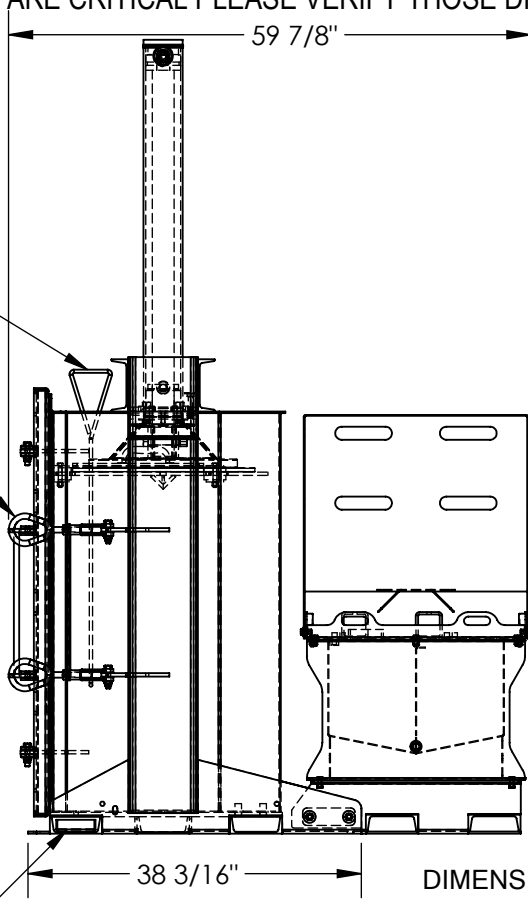
HOOK
 LOCKING HANDLE

2 1/8"

DRIP PAN
 CAPACITY: 1 GALLON

STANDARD POWER UP:
 460 VOLT, 3-PHASE

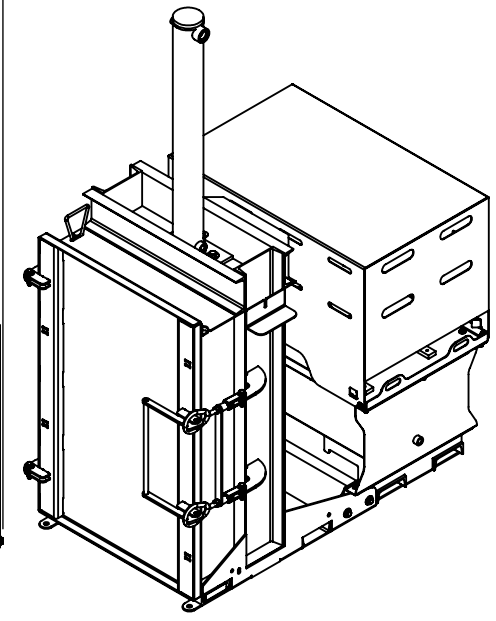
SPECIAL FEATURES
 NONE



59 7/8"

38 3/16"

DIMENSION TOLERANCE ± 1/4"



STANDARD FEATURES

- MODEL NUMBER IS HDC-905-HC/460V
- DRUM CRUSHER AND COMPACTOR
- STD. 55 GAL. DRUM CAPACITY
- POSITIVE DRUM POSITIONING
- DRUM HEAD PIERCER TO RELEASE INTERNAL DRUM PRESSURE
- 6.5 HP, THREE PHASE (PREWIRED FOR 460V)
- 2-SPEED HYD. GEAR PUMP -- 11 GPM
- 4" DIA. PISTON CYLINDER W/ 36" OF STROKE --FULL CYCLE TIME OF 25 SECONDS (CRUSH AND RETRACT)
- HYD.SYSTEM PRESS. RATING: 3000 PSI, W/ HYD. SYSTEM RELIEF VALVE
- 38,000 LBS. OF CRUSHING FORCE -- REDUCES STEEL DRUMS TO ONLY 6" HIGH
- 24V CONTROL CIRCUIT, WITH:
 - ON/OFF KEY SWITCH;
 - CYCLE START BUTTON;
 - CRUSH / COMPACT SELECTOR SWITCH;
 - TWO PRESSURE SWITCHES -- HIGH PRESSURE FOR CRUSHING, LOW PRESSURE FOR COMPACTING
 - MATERIALS INSIDE A DRUM;
 - DOOR INTERLOCK SWITCH
 - DURABLE LIQUID PAINT BLUE FINISH

I, THE UNDERSIGNED, AGREE THAT THE PRODUCT AS REPRESENTED SATISFIES DESIGN AND DIMENSION REQUIREMENTS. I ALSO ACKNOWLEDGE MY DUTY TO CONFIRM PRODUCT AND INSTALLATION COMPLIANCE WITH ALL APPLICABLE FEDERAL, STATE AND LOCAL REGULATIONS AND STANDARDS.

ANY MODIFIED UNITS ARE NON-RETURNABLE

[] As drawn [] As marked

Signed: _____ Date: _____

Printed Name: _____

LEAD TIME WILL START UPON RECEIPT OF SIGNED APPROVAL DRAWING

DISTRIBUTOR'S NAME:		P.O.#
VESTIL MANUFACTURING		X
DRAWN BY: TAW		W.O.#
DATE: 8/8/2016		X
REFERENCE: X	SCALE: 1:22	SALES: X
QUOTED LEAD TIME: X	QUOTE #	FILE NAME:
	X	22-007-015-003

FOR INTERNAL USE ONLY	
PROJECT SIGN OFF	
SALES	
ENG.	
FAB.	
POWER	