

LEAD TIME WILL START UPON RECEIPT OF SIGNED APPROVAL DRAWING

MODEL NUMBER: HOP-400-HD  
 CAPACITY: 6,000 LBS.  
 VOLUME: 4 CUBIC YARDS  
 OVERALL WIDTH: 85 1/8"  
 OVERALL DEPTH: 73 1/2"  
 OVERALL HEIGHT: 59 1/2"

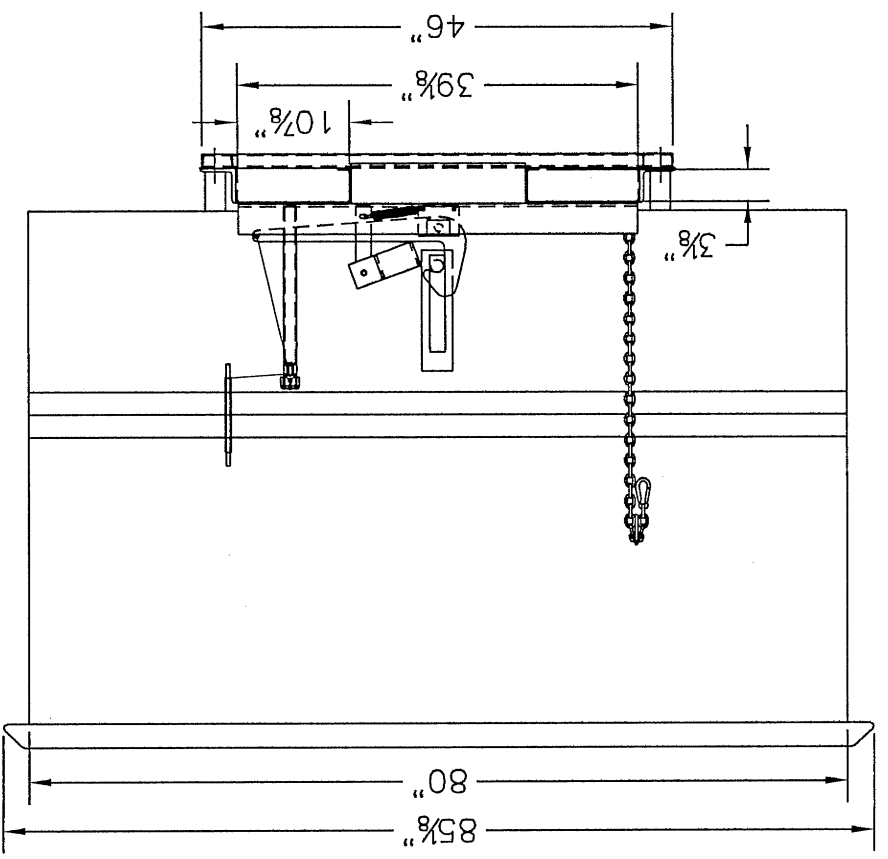
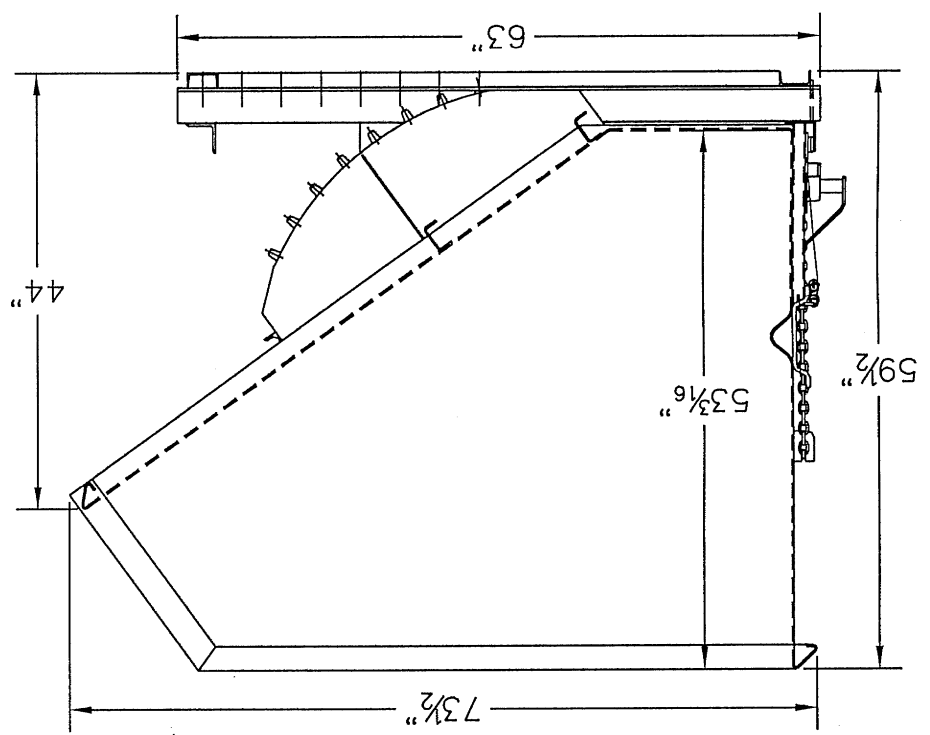
**STANDARD FEATURES**

NONE  
**SPECIAL FEATURES**

\*\*Any additions, deletions or omissions must be corrected on this drawing, as this drawing will be considered all inclusive.\*\*  
 \*\*\* ALL GRAPHICS PROVIDED ARE FOR REFERENCE ONLY, IF CERTAIN DIMENSIONS ARE CRITICAL PLEASE VERIFY THOSE DIMENSIONS WITH YOUR SALESPERSON. \*\*\*

\*\*SPECIAL UNITS ARE NON-RETURNABLE  
 \*AVAILABLE AT ADDITIONAL COSTS

**STACKABLE STEEL SELF-DUMPING HOPPER, HOP-400-HD**



**APPROVAL**  
 I, the undersigned, hereby approve this print [ ] As drawn [ ] As marked  
 This includes my approval of design & dimensions.  
 Signed: \_\_\_\_\_  
 Date: \_\_\_\_\_

DISTRIBUTOR'S NAME:	VESTIL MANUFACTURING	
P.O.#:	-	
W.O.#:	-	
SALES:	-	
DATE:	5-2-06	SR
DRAWN BY:	SR	
DRWG./FILE NAME:	HOP-400-HD	
REFERENCE:	SCALE: NTS	