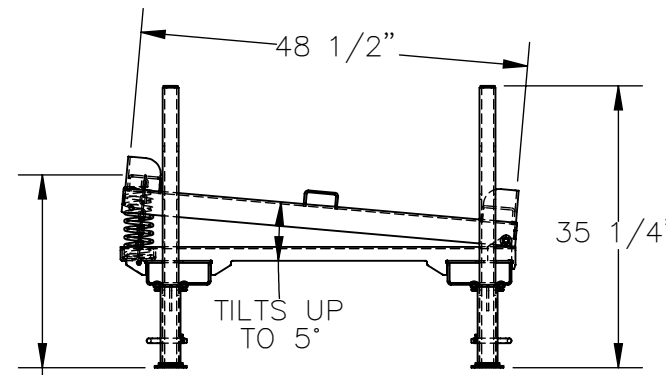
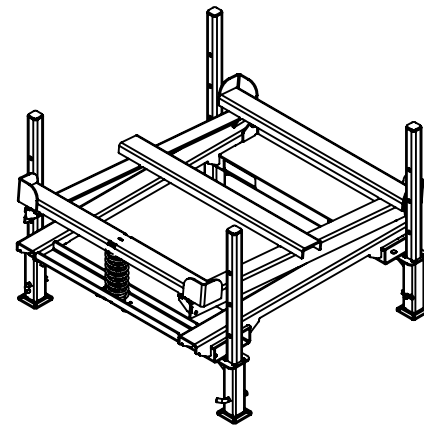
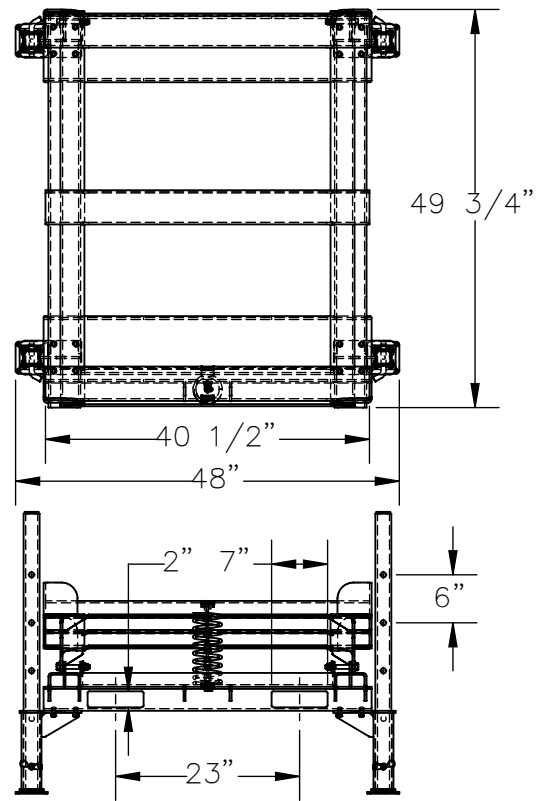


STAINLESS STEEL ADJUSTABLE IBC TILT STAND W/ FORK POCKETS AND LEGS - IBC-TLT-FPL-SS

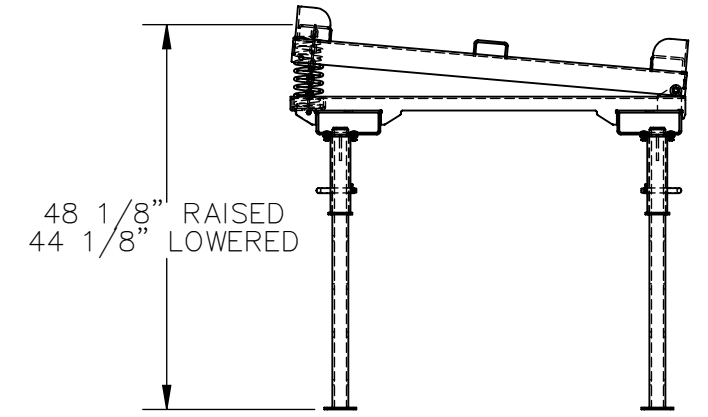
APPROX WEIGHT: 400.30 lbs.
DOES NOT INCLUDE WEIGHT OF POWER OR PACKAGING!!!

*** ANY ADDITIONS, DELETIONS, OR OMISSIONS MUST BE CORRECTED ON THIS DRAWING AS THIS DRAWING WILL BE CONSIDERED ALL INCLUSIVE ***
ALL GRAPHICS PROVIDED ARE FOR REFERENCE ONLY. IF CERTAIN DIMENSIONS ARE CRITICAL PLEASE VERIFY THOSE DIMENSIONS WITH YOUR SALESPERSON



NOTE:

*STAINLESS STEEL IS MILL FINISH (NOT POLISHED).
*WELD OXIDATION WILL NOT BE REMOVED.
*NOT ALL SOLVENTS REACT WELL WITH STAINLESS STEEL. IT IS THE CUSTOMERS RESPONSIBILITY TO DETERMINE IF THE EQUIPMENT WILL WORK FOR THEIR APPLICATION AND IN THEIR ENVIRONMENT.
*IT IS THE CUSTOMERS RESPONSIBILITY TO VERIFY IF THE EQUIPMENT COMPLIES WITH ALL SAFETY LAWS, CODES, AND REGULATIONS.



DIMENSION TOLERANCE ± 1/4"

STANDARD FEATURES

- MODEL NUMBER IS: IBC-TLT-FPL-SS
- MAX CAPACITY IS: 4,400 LBS
- OVERALL WIDTH IS: 48"
- USABLE WIDTH IS: 40 1/2"
- OVERALL LENGTH IS: 49 3/4"
- USABLE LENGTH IS: 48 1/2"
- OVERALL HEIGHT IS: 35 1/4"
- PLATFORM HEIGHT IS: 24 1/8" RAISED, 20 1/8" LOWERED
- HEIGHT ADJUSTMENT IN: 6" INCREMENTS
- 2" HIGH X 7" WIDE FORK POCKETS ON 23" CENTERS
- ALL STAINLESS STEEL CONSTRUCTION

SPECIAL FEATURES

NONE

APPROVAL

I, THE UNDERSIGNED, AGREE THAT THE PRODUCT AS REPRESENTED SATISFIES DESIGN AND DIMENSION REQUIREMENTS. I ALSO ACKNOWLEDGE MY DUTY TO CONFIRM PRODUCT AND INSTALLATION COMPLIANCE WITH ALL APPLICABLE FEDERAL, STATE AND LOCAL REGULATIONS AND STANDARDS.
UNITS REQUIRING APPROVAL DRAWINGS OR MODIFIED ARE NON-RETURNABLE
[] As drawn [] As marked

Signed: _____ Date: _____

Printed Name: _____

LEAD TIME WILL START UPON RECEIPT OF SIGNED APPROVAL DRAWING

DISTRIBUTOR'S NAME:		P.O.#
VESTIL MANUFACTURING		X
DRAWN BY: JGP		W.O.#
DATE: 9/13/2021		X
REFERENCE: X	SCALE: 1:24	SALES: X
QUOTED LEAD TIME: X	QUOTE #	FILE NAME:
	X	16-007-541

*FEET MUST BE ANCHORED TO GROUND.