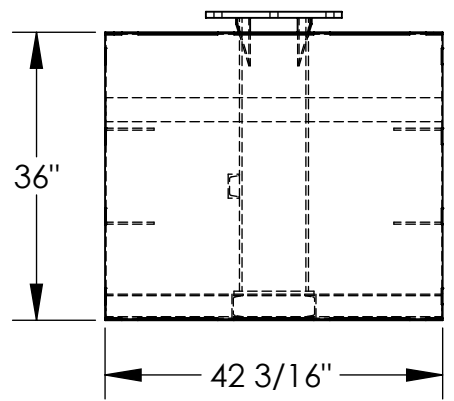
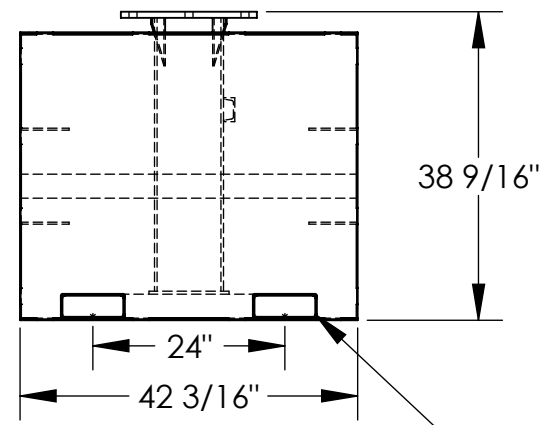
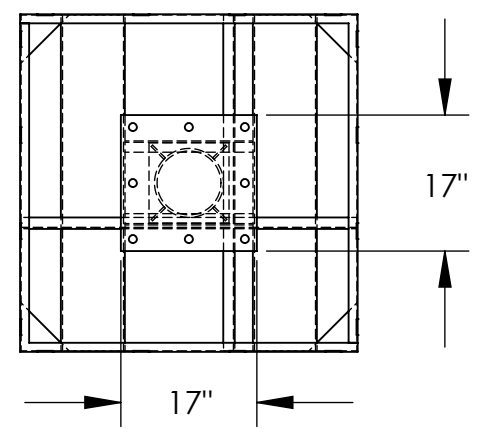


CONCRETE-FILLED COUNTERBALANCE JIB BASE - JIB-CB-36-BC

*** ANY ADDITIONS, DELETIONS, OR OMISSIONS MUST BE CORRECTED ON THIS DRAWING AS THIS DRAWING WILL BE CONSIDERED ALL INCLUSIVE ***
 ALL GRAPHICS PROVIDED ARE FOR REFERENCE ONLY. IF CERTAIN DIMENSIONS ARE CRITICAL PLEASE VERIFY THOSE DIMENSIONS WITH YOUR SALESPERSON



7 5/8" W x 2 5/8" L
 USABLE FORK POCKETS

NOTE: UNIT IS FILLED WITH GRAVEL
 OR LIMESTONE AGGREGATE
 CONCRETE.

WEIGHT FILLED W/ CONCRETE IS: 5,330 LBS. OR MORE

DIMENSION TOLERANCE ± 1/4"

STANDARD FEATURES

- MODEL NUMBER IS JIB-CB-36-BC
- OVERALL WIDTH IS 42 3/16"
- OVERALL LENGTH IS 42 3/16"
- OVERALL HEIGHT IS 38 9/16"
- USABLE BASE HEIGHT IS 36"
- FORK POCKETS: 7 5/8" X 2 5/8"
- FORK POCKET CENTERS ARE 24"
- DURABLE LIQUID PAINT BLUE FINISH
- FOR USE WITH MODELS: JIB-CB-50-10-10
- JIB-CB-100-8-10

SPECIAL FEATURES

NONE

APPROVAL	I, THE UNDERSIGNED, AGREE THAT THE PRODUCT AS REPRESENTED SATISFIES DESIGN AND DIMENSION REQUIREMENTS. I ALSO ACKNOWLEDGE MY DUTY TO CONFIRM PRODUCT AND INSTALLATION COMPLIANCE WITH ALL APPLICABLE FEDERAL, STATE AND LOCAL REGULATIONS AND STANDARDS.	
	ANY MODIFIED UNITS ARE NON-RETURNABLE	
	[] As drawn	[] As marked
Signed: _____		Date: _____
Printed Name: _____		
<i>LEAD TIME WILL START UPON RECEIPT OF SIGNED APPROVAL DRAWING</i>		

FOR INTERNAL USE ONLY PROJECT SIGN OFF	
SALES	
ENG.	
FAB.	
POWER	

DISTRIBUTOR'S NAME:		P.O.#
VESTIL MANUFACTURING		X
DRAWN BY: ND		W.O.#
DATE: 6/20/2011		X
REFERENCE: X	SCALE: 1:24	SALES: X
QUOTED LEAD TIME: X	QUOTE #	FILE NAME:
	X	28-007-125-001