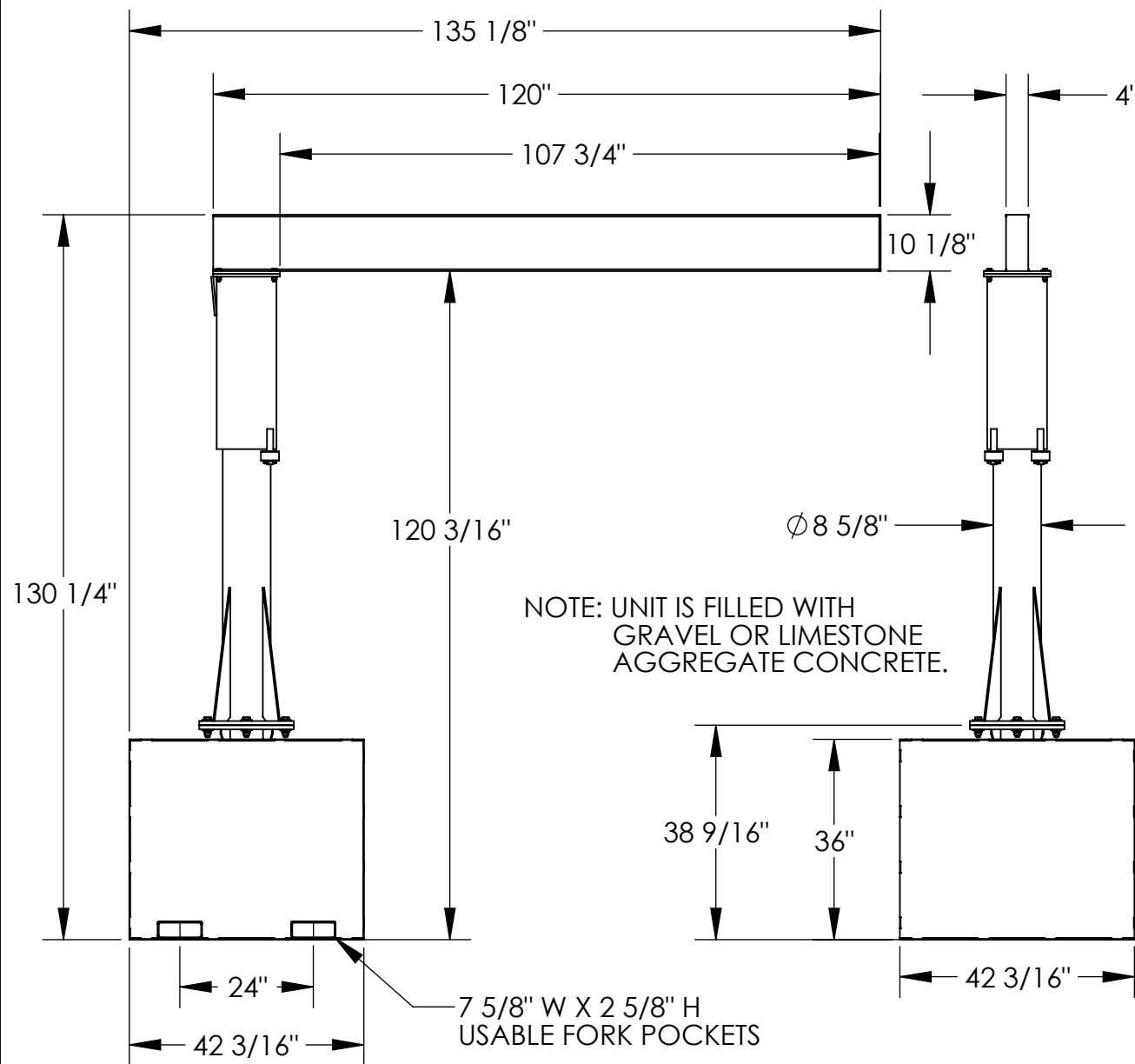


PORTABLE JIB CRANE - JIB-CB-50-10-10-BC

ANY ADDITIONS, DELETIONS, OR OMISSIONS MUST BE CORRECTED ON THIS DRAWING AS THIS DRAWING WILL BE CONSIDERED ALL INCLUSIVE
 ALL GRAPHICS PROVIDED ARE FOR REFERENCE ONLY. IF CERTAIN DIMENSIONS ARE CRITICAL PLEASE VERIFY THOSE DIMENSIONS WITH YOUR SALESPERSON



FOR INTERNAL USE ONLY PROJECT SIGN OFF	
SALES	
ENG.	
FAB.	
POWER	

STANDARD FEATURES

- MODEL NUMBER IS JIB-CB-50-10-10-BC
- CAPACITY IS 500 LBS.
- OVERALL WIDTH IS 42 3/16"
- USABLE WIDTH IS 4"
- OVERALL I-BEAM LENGTH IS 120"
- USABLE I-BEAM LENGTH IS 107 3/4"
- OVERALL HEIGHT IS 130 1/4"
- UNDER I-BEAM HEIGHT IS 120 3/16"
- BASE HEIGHT IS 36"
- I-BEAM SIZE IS:
10 1/8" HEIGHT X 4" FLANGE WIDTH
- FORK CENTERS IS 24"
- USABLE FORK POCKETS IS:
7 5/8" W X 2 5/8" H
- UNIT WEIGHT IS 5,947 LBS. APPROX.
- DURABLE LIQUID PAINT BLUE FINISH

SPECIAL FEATURES

NONE

DIMENSION TOLERANCE ± 1/4"

APPROVAL	I, THE UNDERSIGNED, AGREE THAT THE PRODUCT AS REPRESENTED SATISFIES DESIGN AND DIMENSION REQUIREMENTS. I ALSO ACKNOWLEDGE MY DUTY TO CONFIRM PRODUCT AND INSTALLATION COMPLIANCE WITH ALL APPLICABLE FEDERAL, STATE AND LOCAL REGULATIONS AND STANDARDS.	
	ANY MODIFIED UNITS ARE NON-RETURNABLE	
	[] As drawn [] As marked	
	Signed: _____ Date: _____	
Printed Name: _____		
<i>LEAD TIME WILL START UPON RECEIPT OF SIGNED APPROVAL DRAWING</i>		

DISTRIBUTOR'S NAME:		P.O.#
VESTIL MANUFACTURING		X
		W.O.#
DRAWN BY: ND		X
DATE: 5/23/08		SALES: X
REFERENCE: X	SCALE: 1:30	FILE NAME:
QUOTED LEAD TIME: X	QUOTE # X	28-007-184-001