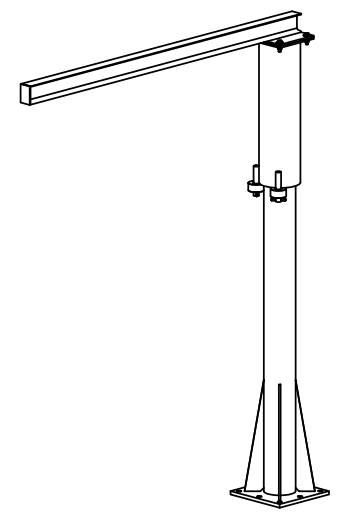
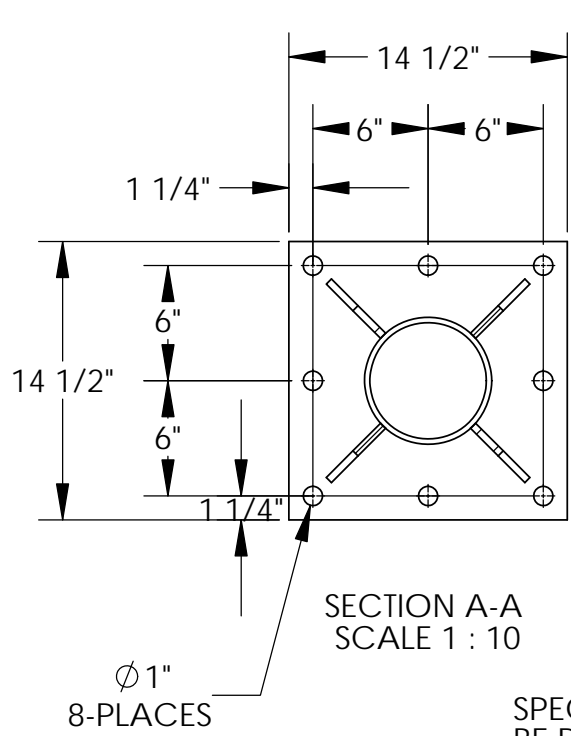
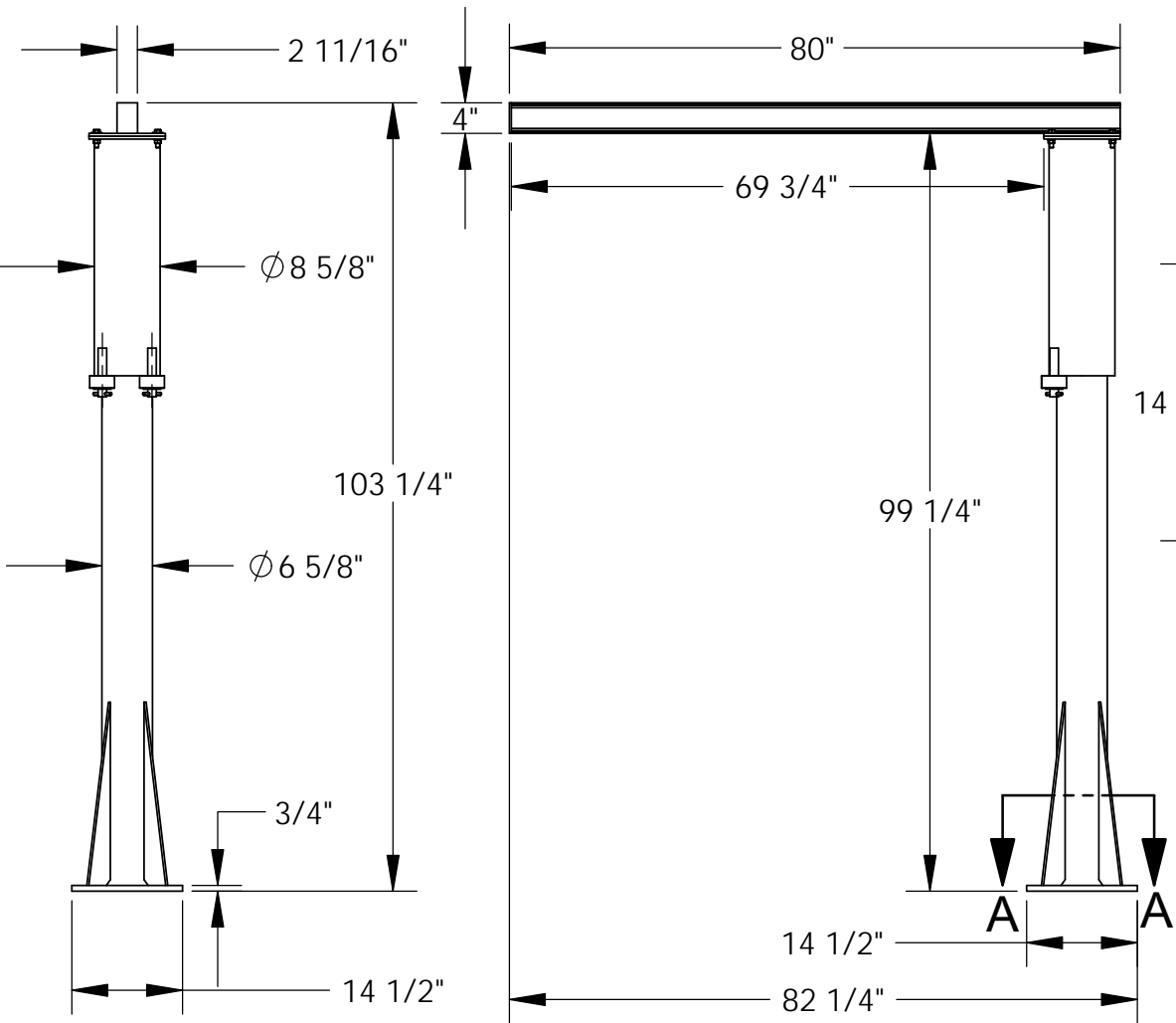


# FLOOR MOUNTED JIB CRANE - JIB-FM-3

APPROX WEIGHT: 381.59 lbs.  
 DOES NOT INCLUDE WEIGHT OF POWER OR PACKAGING!!!

\*\*\* ANY ADDITIONS, DELETIONS, OR OMISSIONS MUST BE CORRECTED ON THIS DRAWING AS THIS DRAWING WILL BE CONSIDERED ALL INCLUSIVE \*\*\*

ALL GRAPHICS PROVIDED ARE FOR REFERENCE ONLY. IF CERTAIN DIMENSIONS ARE CRITICAL PLEASE VERIFY THOSE DIMENSIONS WITH YOUR SALESPERSON



SPECIAL FOUNDATION MAY BE REQUIRED: SEE OWNERS MANUAL FOR DETAILS

DIMENSION TOLERANCE ± 1/4"

## STANDARD FEATURES

- MODEL NUMBER IS JIB-FM-3
- CAPACITY IS 300 LBS.
- OVERALL WIDTH IS 14 1/2"
- OVERALL LENGTH IS 82 1/4"
- OVERALL I-BEAM LENGTH IS 80"
- USABLE I-BEAM LENGTH IS 69 3/4"
- OVERALL HEIGHT IS 103 1/4"
- UNDER I-BEAM CLEARANCE IS 99 1/4"
- I-BEAM SIZE: 4" HEIGHT X 2 11/16" FLANGE WIDTH
- 360° FULL ROTATION

## SPECIAL FEATURES

NONE

**APPROVAL**

I, THE UNDERSIGNED, AGREE THAT THE PRODUCT AS REPRESENTED SATISFIES DESIGN AND DIMENSION REQUIREMENTS. I ALSO ACKNOWLEDGE MY DUTY TO CONFIRM PRODUCT AND INSTALLATION COMPLIANCE WITH ALL APPLICABLE FEDERAL, STATE AND LOCAL REGULATIONS AND STANDARDS.

**ANY MODIFIED UNITS ARE NON-RETURNABLE**

As drawn     As marked

Signed: \_\_\_\_\_ Date: \_\_\_\_\_

Printed Name: \_\_\_\_\_

LEAD TIME WILL START UPON RECEIPT OF SIGNED APPROVAL DRAWING

FOR INTERNAL USE ONLY PROJECT SIGN OFF	
SALES	
ENG.	
FAB.	
POWER	

DISTRIBUTOR'S NAME:		P.O.#
VESTIL MANUFACTURING		X
DRAWN BY: ND	DATE: 6/29/2011	W.O.#
REFERENCE: X	SCALE: 1:25	X
QUOTED LEAD TIME: X	QUOTE #	FILE NAME:
	X	28-007-029