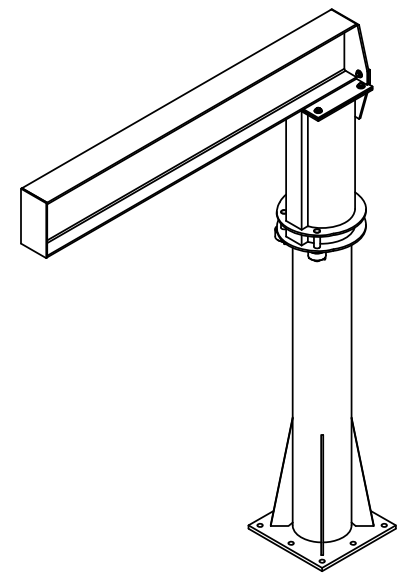
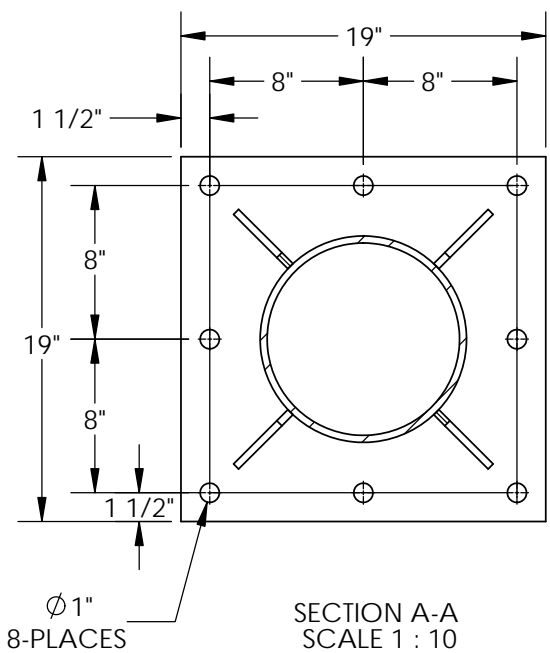
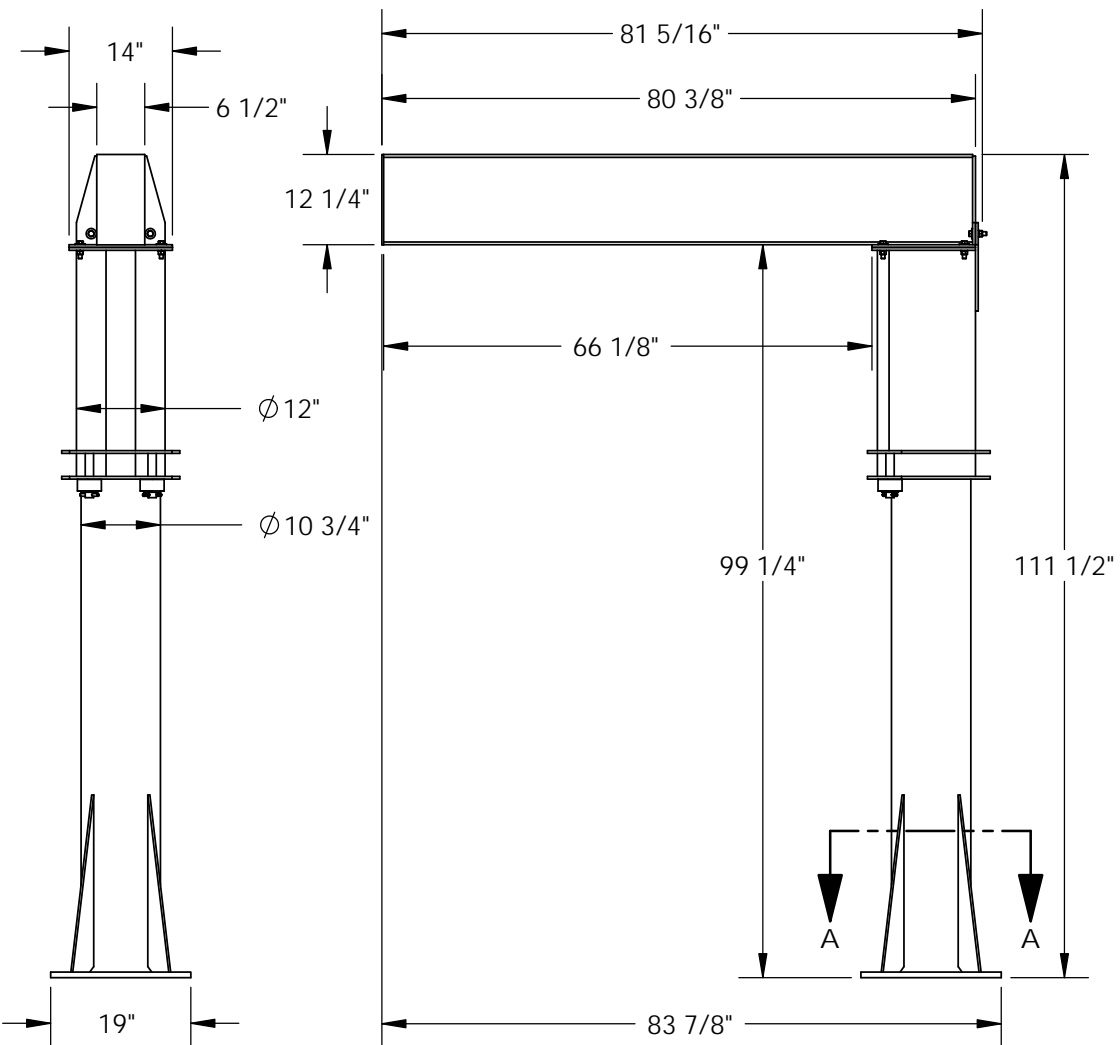


# FLOOR MOUNTED JIB CRANE - JIB-FM-40

APPROX WEIGHT: 765.03 lbs.  
 DOES NOT INCLUDE WEIGHT OF POWER OR PACKAGING!!!

\*\*\* ANY ADDITIONS, DELETIONS, OR OMISSIONS MUST BE CORRECTED ON THIS DRAWING AS THIS DRAWING WILL BE CONSIDERED ALL INCLUSIVE \*\*\*  
 ALL GRAPHICS PROVIDED ARE FOR REFERENCE ONLY. IF CERTAIN DIMENSIONS ARE CRITICAL PLEASE VERIFY THOSE DIMENSIONS WITH YOUR SALESPERSON



3D VIEW SHOWN FOR REFERENCE ONLY

SPECIAL FOUNDATION MAY BE REQUIRED: SEE OWNERS MANUAL FOR DETAILS

DIMENSION TOLERANCE  $\pm 1/4$ "

## STANDARD FEATURES

- MODEL NUMBER IS JIB-FM-40
- CAPACITY IS 4,000 LBS.
- OVERALL WIDTH IS 19"
- OVERALL LENGTH IS 83 7/8"
- OVERALL I-BEAM LENGTH IS 80 3/8"
- USABLE I-BEAM LENGTH IS 66 1/8"
- OVERALL HEIGHT IS 111 1/2"
- UNDER I-BEAM CLEARANCE IS 99 1/4"
- I-BEAM SIZE: 12 1/4" HEIGHT X 6 1/2" FLANGE WIDTH
- 360° FULL ROTATION

## SPECIAL FEATURES

NONE

APPROVAL	I, THE UNDERSIGNED, AGREE THAT THE PRODUCT AS REPRESENTED SATISFIES DESIGN AND DIMENSION REQUIREMENTS. I ALSO ACKNOWLEDGE MY DUTY TO CONFIRM PRODUCT AND INSTALLATION COMPLIANCE WITH ALL APPLICABLE FEDERAL, STATE AND LOCAL REGULATIONS AND STANDARDS.	
	<b>ANY MODIFIED UNITS ARE NON-RETURNABLE</b>	
	[ ] As drawn      [ ] As marked	
	Signed: _____	Date: _____
Printed Name: _____		
<i>LEAD TIME WILL START UPON RECEIPT OF SIGNED APPROVAL DRAWING</i>		

FOR INTERNAL USE ONLY PROJECT SIGN OFF	
SALES	
ENG.	
FAB.	
POWER	

DISTRIBUTOR'S NAME:		P.O.#
VESTIL MANUFACTURING		X
DRAWN BY: ND	DATE: 10/16/09	W.O.#
REFERENCE: X	SCALE: 1:26	X
QUOTED LEAD TIME: X	QUOTE #	FILE NAME:
	X	28-007-265