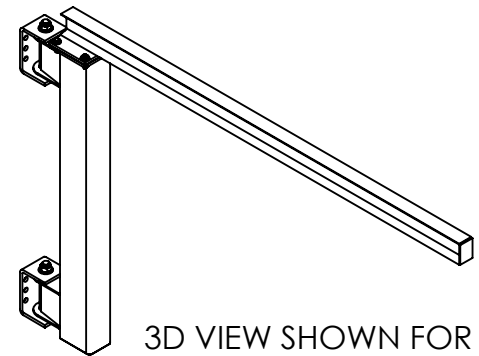
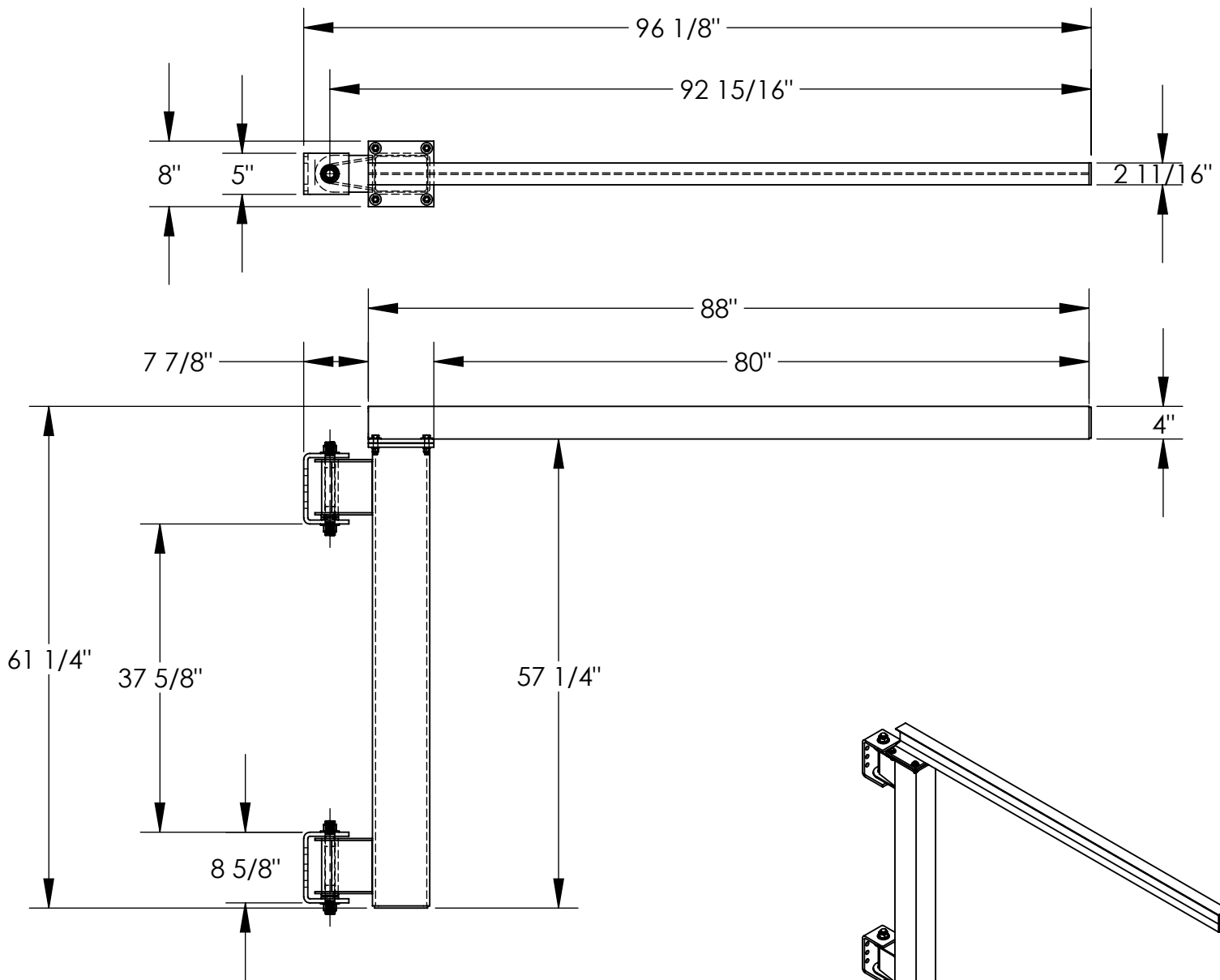


# WALL JIB (LOW CEILING) - JIB-LC-3

APPROX WEIGHT: 262.66 lbs.  
DOES NOT INCLUDE WEIGHT OF POWER OR PACKAGING!!!

\*\*\*ANY ADDITIONS, DELETIONS, OR OMISSIONS MUST BE CORRECTED ON THIS DRAWING AS THIS DRAWING WILL BE CONSIDERED ALL INCLUSIVE\*\*\*



3D VIEW SHOWN FOR REFERENCE ONLY

DIMENSION TOLERANCE  $\pm 1/4"$

ALL GRAPHICS PROVIDED ARE FOR REFERENCE ONLY. IF CERTAIN DIMENSIONS ARE CRITICAL PLEASE VERIFY THOSE DIMENSIONS WITH YOUR SALESPERSON

## STANDARD FEATURES

- MODEL NUMBER IS JIB-LC-3
- CAPACITY IS 300 LBS.
- OVERALL WIDTH IS 8"
- OVERALL JIB LENGTH IS 96 1/8"
- OVERALL I-BEAM LENGTH IS 88"
- USABLE I-BEAM LENGTH IS 80"
- OVERALL HEIGHT IS 61 1/4"
- UNDER I-BEAM HEIGHT IS 57 1/4"
- I-BEAM SIZE:  
4" HEIGHT X 2 11/16" FLANGE WIDTH
- 180° I-BEAM ROTATION
- DURABLE LIQUID PAINT BLUE FINISH

## SPECIAL FEATURES

NONE

APPROVAL

I, THE UNDERSIGNED, AGREE THAT THE PRODUCT AS REPRESENTED SATISFIES DESIGN AND DIMENSION REQUIREMENTS. I ALSO ACKNOWLEDGE MY DUTY TO CONFIRM PRODUCT AND INSTALLATION COMPLIANCE WITH ALL APPLICABLE FEDERAL, STATE AND LOCAL REGULATIONS AND STANDARDS.  
**UNITS REQUIRING APPROVAL DRAWINGS OR MODIFIED ARE NON-RETURNABLE**  
[ ] As drawn [ ] As marked

Signed: \_\_\_\_\_ Date: \_\_\_\_\_

Printed Name: \_\_\_\_\_

LEAD TIME WILL START UPON RECEIPT OF SIGNED APPROVAL DRAWING

DISTRIBUTOR'S NAME:		P.O.#
VESTIL MANUFACTURING		X
DRAWN BY: ND		W.O.#
DATE: 6/4/2007		X
REFERENCE: X	SCALE: 1:19	SALES: X
QUOTED LEAD TIME: X	QUOTE #	FILE NAME:
	X	28-007-027