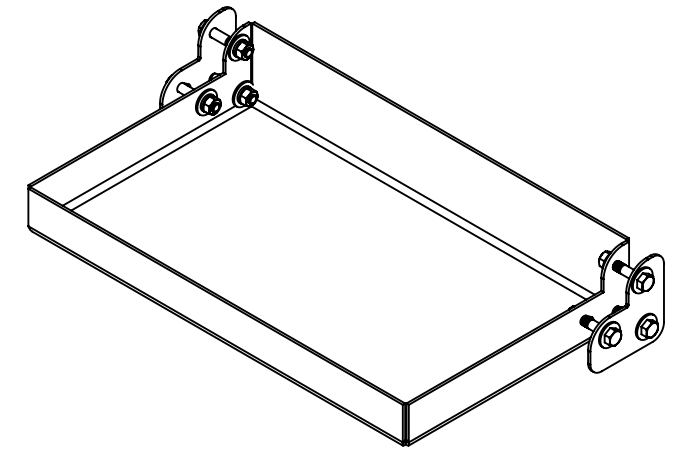
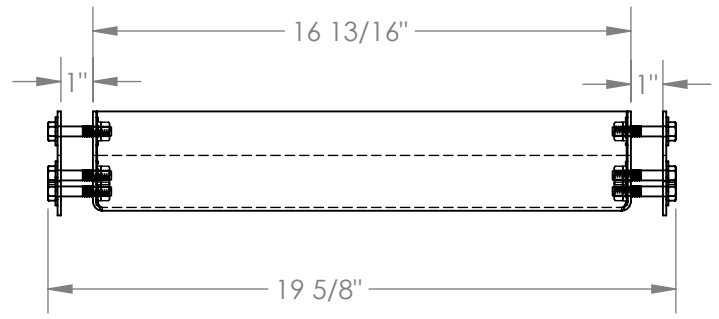
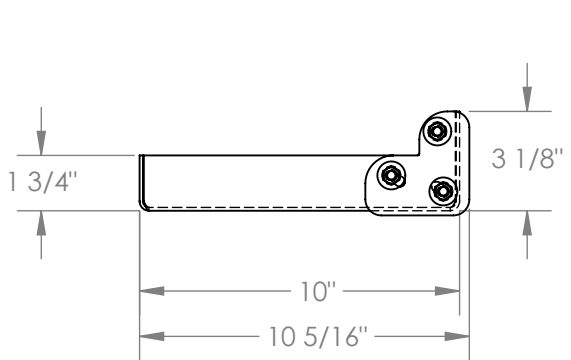


# LADDER TOOL TRAY - LAD-TT-A

APPROX WEIGHT: 8.88 lbs.  
 DOES NOT INCLUDE WEIGHT OF POWER OR PACKAGING!!!

\*\*\* ANY ADDITIONS, DELETIONS, OR OMISSIONS MUST BE CORRECTED ON THIS DRAWING AS THIS DRAWING WILL BE CONSIDERED ALL INCLUSIVE \*\*\*

ALL GRAPHICS PROVIDED ARE FOR REFERENCE ONLY. IF CERTAIN DIMENSIONS ARE CRITICAL PLEASE VERIFY THOSE DIMENSIONS WITH YOUR SALESPERSON



## STANDARD FEATURES

- MODEL NUMBER IS LAD-TT-A
- OVERALL WIDTH IS 19 5/8"
- USABLE WIDTH IS 16 13/16"
- OVERALL LENGTH IS 10 5/16"
- USABLE LENGTH IS 10"
- OVERALL HEIGHT IS 3 1/8"
- USEABLE HEIGHT IS 1 3/4"

## NOTE

SOME ASSEMBLY REQUIRED

## SPECIAL FEATURES

NONE

## LADDER MODEL COMPATIBILITY

- ROLL-A-FOLD LADDERS
  - LAD-RAF (4 TO 7 STEP)
  - LAD-RAF-EZ (4 TO 7 STEP)

- STANDARD SLOPE LADDERS
  - LAD-PW-18

DIMENSION TOLERANCE ± 1/4"

I, THE UNDERSIGNED, AGREE THAT THE PRODUCT AS REPRESENTED SATISFIES DESIGN AND DIMENSION REQUIREMENTS. I ALSO ACKNOWLEDGE MY DUTY TO CONFIRM PRODUCT AND INSTALLATION COMPLIANCE WITH ALL APPLICABLE FEDERAL, STATE AND LOCAL REGULATIONS AND STANDARDS.

**ALL SPECIAL UNITS ARE NON-RETURNABLE**

[ ] As drawn      [ ] As marked

Signed: \_\_\_\_\_ Date: \_\_\_\_\_

LEAD TIME WILL START UPON RECEIPT OF SIGNED APPROVAL DRAWING

**APPROVAL**

FOR INTERNAL USE ONLY PROJECT SIGN OFF	
SALES	
ENG.	
FAB.	
POWER	

DISTRIBUTOR'S NAME:		P.O.#
VESTIL MANUFACTURING		X
W.O.#		X
DRAWN BY:	B.NOETHNAGEL	DATE: 8/21/2015
REFERENCE:	X	SALES: X
QUOTED LEAD TIME:	X	SCALE: 1:6
QUOTE #	X	FILE NAME:
		44-007-405