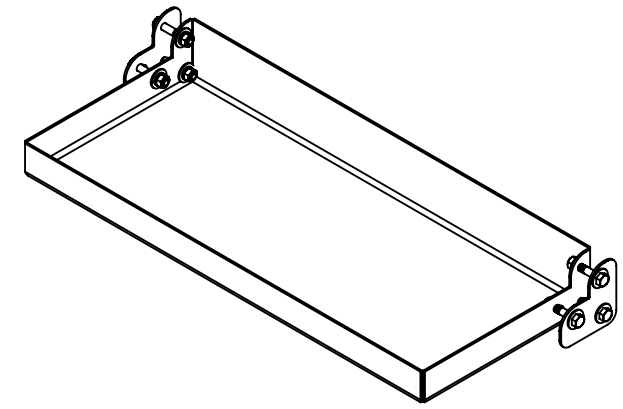
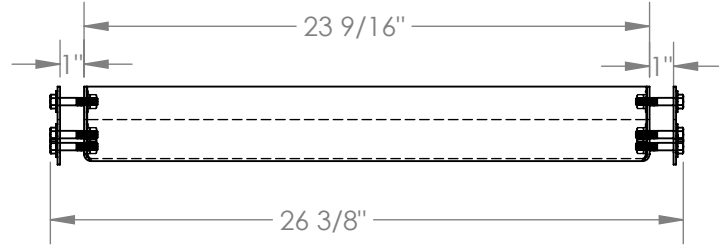
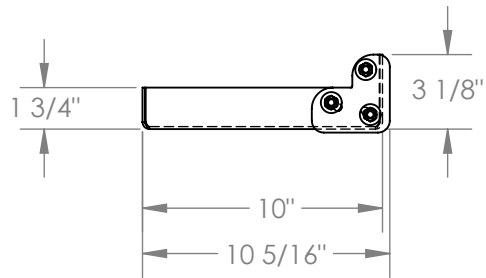


# LADDER TOOL TRAY - LAD-TT-B

APPROX WEIGHT: 11.75 lbs.  
 DOES NOT INCLUDE WEIGHT OF POWER OR PACKAGING!!!

\*\*\* ANY ADDITIONS, DELETIONS, OR OMISSIONS MUST BE CORRECTED ON THIS DRAWING AS THIS DRAWING WILL BE CONSIDERED ALL INCLUSIVE \*\*\*  
 ALL GRAPHICS PROVIDED ARE FOR REFERENCE ONLY. IF CERTAIN DIMENSIONS ARE CRITICAL PLEASE VERIFY THOSE DIMENSIONS WITH YOUR SALESPERSON



## STANDARD FEATURES

- MODEL NUMBER IS LAD-TT-B
- OVERALL WIDTH IS 26 3/8"
- USABLE WIDTH IS 23 9/16"
- OVERALL LENGTH IS 10 5/16"
- USABLE LENGTH IS 10"
- OVERALL HEIGHT IS 3 1/8"
- USEABLE HEIGHT IS 1 3/4"

## NOTE

SOME ASSEMBLY REQUIRED

## SPECIAL FEATURES

NONE

## LADDER MODEL COMPATIBILITY

- MAINTENANCE LADDERS
  - LAD-MM
- TIP-N-ROLL MOBILE LADDERS
  - LAD-TRN, LAD-TRS
- STANDARD SLOPE LADDERS
  - LAD-PW-26
- ROLL-A-FOLD LADDERS
  - LAD-RAF (8 TO 12 STEP)
  - LAD-RAF-EZ (8 TO 12 STEP)
- ROLLING WAREHOUSE LADDERS
  - LAD

DIMENSION TOLERANCE ± 1/4"

<b>A P P R O V A L</b>	I, THE UNDERSIGNED, AGREE THAT THE PRODUCT AS REPRESENTED SATISFIES DESIGN AND DIMENSION REQUIREMENTS. I ALSO ACKNOWLEDGE MY DUTY TO CONFIRM PRODUCT AND INSTALLATION COMPLIANCE WITH ALL APPLICABLE FEDERAL, STATE AND LOCAL REGULATIONS AND STANDARDS.	
	<b>ALL SPECIAL UNITS ARE NON-RETURNABLE</b>	
	[ ] As drawn      [ ] As marked	
Signed: _____		Date: _____
LEAD TIME WILL START UPON RECEIPT OF SIGNED APPROVAL DRAWING		

FOR INTERNAL USE ONLY PROJECT SIGN OFF	
SALES	
ENG.	
FAB.	
POWER	

DISTRIBUTOR'S NAME:		P.O.#
VESTIL MANUFACTURING		X
DRAWN BY: B.NOTHNAGEL		W.O.#
DATE: 8/21/2015		X
REFERENCE: X	SCALE: 1:8	SALES: X
QUOTED LEAD TIME: X	QUOTE #	FILE NAME:
	X	44-007-406