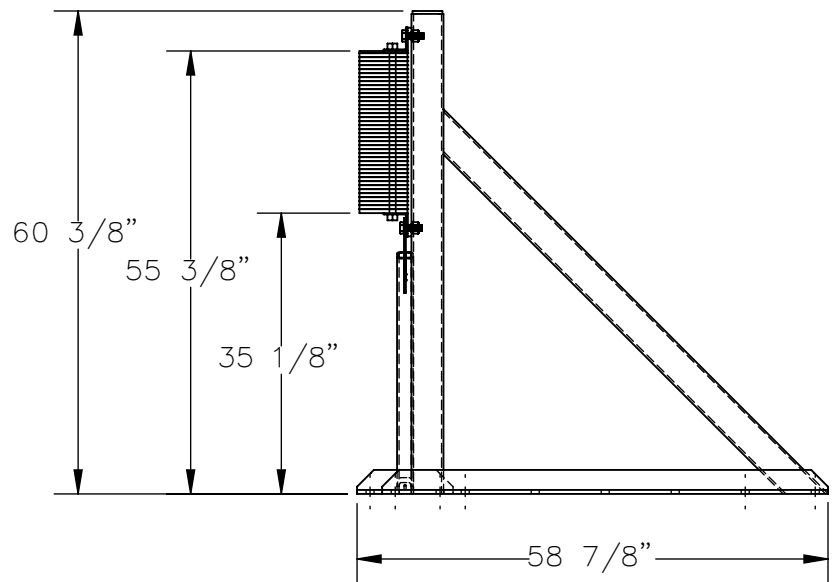
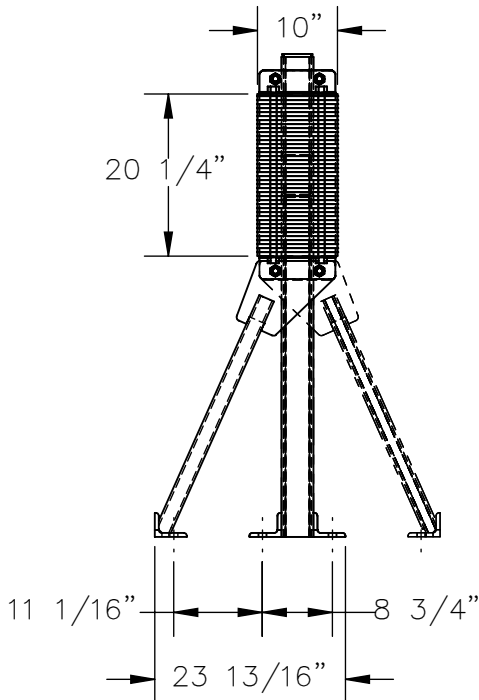
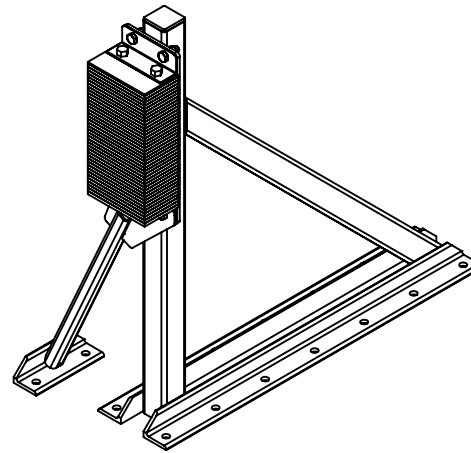
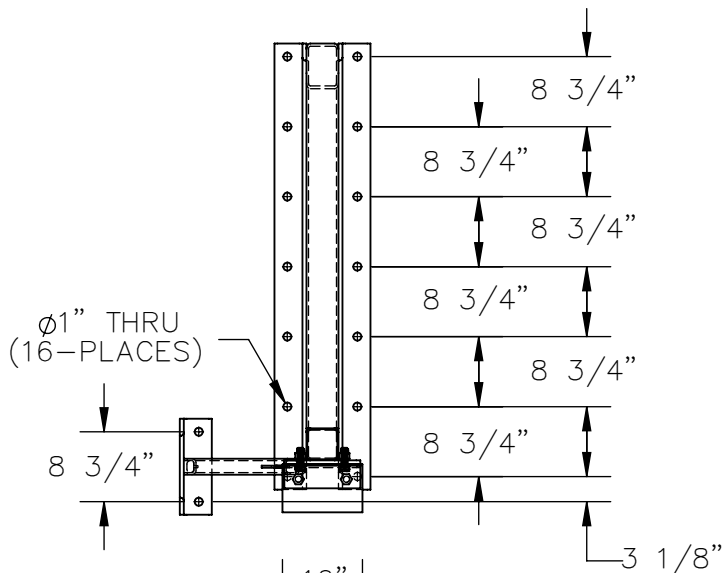


LOADING DOCK GUARD - LDG-3555-YL

APPROX WEIGHT: 346.21 lbs.
DOES NOT INCLUDE WEIGHT OF POWER OR PACKAGING!!!

ANY ADDITIONS, DELETIONS, OR OMISSIONS MUST BE CORRECTED ON THIS DRAWING AS THIS DRAWING WILL BE CONSIDERED ALL INCLUSIVE

FOR INTERNAL USE ONLY PROJECT SIGN OFF	
SALES	
ENG.	
FAB.	
POWER	



ALL GRAPHICS PROVIDED ARE FOR REFERENCE ONLY. IF CERTAIN DIMENSIONS ARE CRITICAL PLEASE VERIFY THOSE DIMENSIONS WITH YOUR SALESPERSON

DIMENSION TOLERANCE $\pm 1/4"$

STANDARD FEATURES

- MODEL NUMBER IS: LDG-3555-YL
- OVERALL WIDTH IS: 23 13/16"
- OVERALL LENGTH IS: 58 7/8"
- OVERALL HEIGHT IS: 60 3/8"
- LAG DOWN MOUNTING IS: $\varnothing 1"$ THRU HOLES ON 8 3/4" CENTERS, INTENDED FOR $\varnothing 7/8"$ ANCHOR BOLTS (NOT INCLUDED).
- BOTTOM OF BUMPER IS: 35 1/8"
- TOP OF BUMPER IS: 55 3/8"
- BUMPER IS: 10" x 20 1/4"
- TOUGH BAKED IN POWDER COAT YELLOW FINISH.
- ALL STEEL CONSTRUCTION (ASTM A-36 MIN.) WITH WELDING TO MEET AWS.
- NOTE: ONLY 1 LEG IS INCLUDED.
- LEG CAN BE MOUNTED ON EITHER LEFT OR RIGHT.
- WARNING: CHECK APPLICABLE STATE & LOCAL LAWS FOR YOUR AREA. CONSULT THE BUILDINGS ARCHITECT TO DETERMINE ADEQUATE CONCRETE AND ANCHOR REQUIREMENTS.

SPECIAL FEATURES

NONE

APPROVAL

I, THE UNDERSIGNED, AGREE THAT THE PRODUCT AS REPRESENTED SATISFIES DESIGN AND DIMENSION REQUIREMENTS. I ALSO ACKNOWLEDGE MY DUTY TO CONFIRM PRODUCT AND INSTALLATION COMPLIANCE WITH ALL APPLICABLE FEDERAL, STATE AND LOCAL REGULATIONS AND STANDARDS.

UNITS REQUIRING APPROVAL DRAWINGS OR MODIFIED ARE NON-RETURNABLE

As drawn As marked

Signed: _____ Date: _____

Printed Name: _____

LEAD TIME WILL START UPON RECEIPT OF SIGNED APPROVAL DRAWING

DISTRIBUTOR'S NAME:		P.O.#
VESTIL MANUFACTURING		X
DRAWN BY: JGP		W.O.#
DATE: 9/22/2020		X
REFERENCE: X	SCALE: 1:24	SALES: X
QUOTED LEAD TIME: X	QUOTE #	FILE NAME:
	X	23-007-788