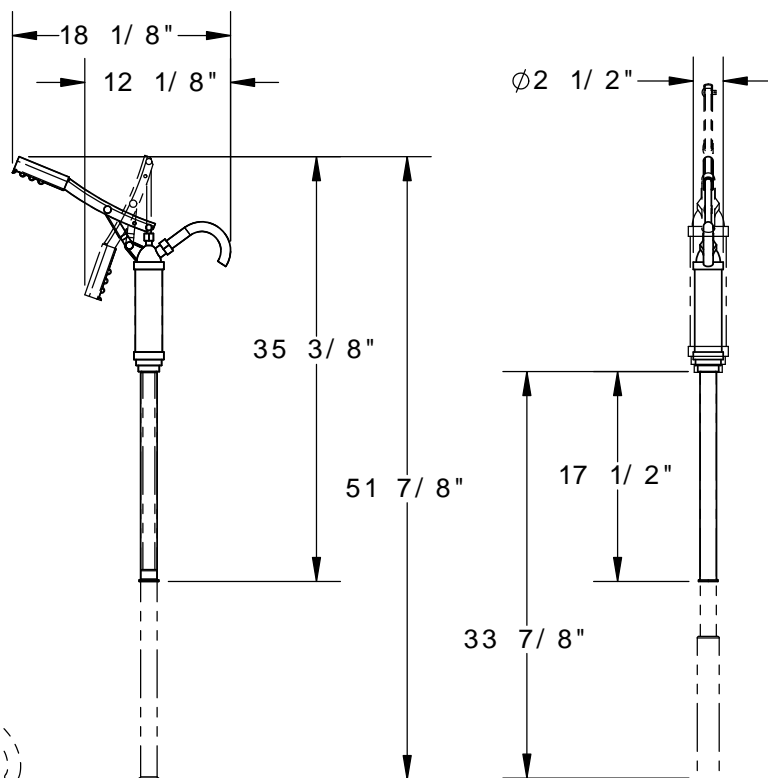


LEVER ACTION DRUM PUMP - LDP-ST

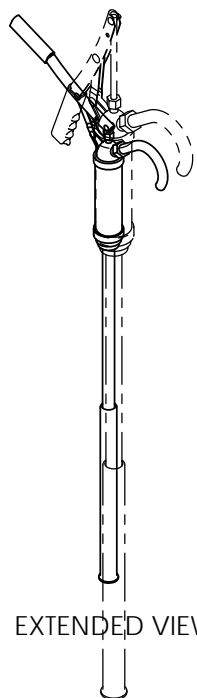
APPROX WEIGHT: 8.26 lbs.
DOES NOT INCLUDE WEIGHT OF POWER OR PACKAGING!!!

ANY ADDITIONS, DELETIONS, OR OMISSIONS MUST BE CORRECTED ON THIS DRAWING AS THIS DRAWING WILL BE CONSIDERED ALL INCLUSIVE

ALL GRAPHICS PROVIDED ARE FOR REFERENCE ONLY. IF CERTAIN DIMENSIONS ARE CRITICAL PLEASE VERIFY THOSE DIMENSIONS WITH YOUR SALESPERSON



PUMP TYPE: LEVER
FLOW: 12 OZ PER STROKE
MAX FLUID TEMPERATURE: 140°F/60°C
MOUNTING: 1-1/2" & 2" MNPT BUNG ADAPTER
SUCTION TUBE LENGTH: 35"
INLET: 1" O.D.
OUTLET: 3/4" O.D. CURVED SPOUT
WETTED PARTS: ALUMINUM, STEEL, PE & NBR
MAXIMUM VISCOSITY: 1,000 SSU
STANDARD PACKING: 10PCS/CTN, NW: 14KGS, GW:16KGS, CUFT:1.8'



EXTENDED VIEW

Commonly used for dispensing or transferring non-corrosive and petroleum based fluids, such as Diesel, Kerosene, Transmission Fluid, Machine Oil, Lube Oil, Anti-Freeze, etc.

Ideal for heavy-duty use in industrial, automotive and agricultural application.

Supply with 2" & 1-1/2" bung adapter and a self-adjusting telescopic suction tube to fit most 15, 30 and 55 gallon drums.

Self-priming unit, dispenses approximately 12 oz per stroke.

Discharge spout can be rotated 180° and can be removed to expose garden hose threaded outlet.

Do not use with organic solvents, alkalis, acids, petrol and water-based fluids.

STANDARD FEATURES

MODEL NUMBER: LDP-ST
LEVER ACTION DRUM PUMP
CONSTRUCTION: STEEL
DISPLACEMENT PER STROKE: 12 OZ.
BUNG SIZE: 2"
FOR PETROLUM PRODUCTS UP TO 200 cPs

A P P R O V A L	I, THE UNDERSIGNED, AGREE THAT THE PRODUCT AS REPRESENTED SATISFIES DESIGN AND DIMENSION REQUIREMENTS. I ALSO ACKNOWLEDGE MY DUTY TO CONFIRM PRODUCT AND INSTALLATION COMPLIANCE WITH ALL APPLICABLE FEDERAL, STATE AND LOCAL REGULATIONS AND STANDARDS.	
	ALL SPECIAL UNITS ARE NON-RETURNABLE [] As drawn [] As marked	
Signed: _____		Date: _____
LEAD TIME WILL START UPON RECEIPT OF SIGNED APPROVAL DRAWING		

FOR INTERNAL USE ONLY PROJECT SIGN OFF		DISTRIBUTOR'S NAME:		P.O.#			
		VESTIL MANUFACTURING		X			
SALES		DRAWN BY:	WHR	DATE:	8/30/12	SALES:	X
ENG.		REFERENCE:	X	SCALE:	1:16	FILE NAME:	
FAB.		QUOTED LEAD TIME:	X	QUOTE #	X		40-007-067
POWER							