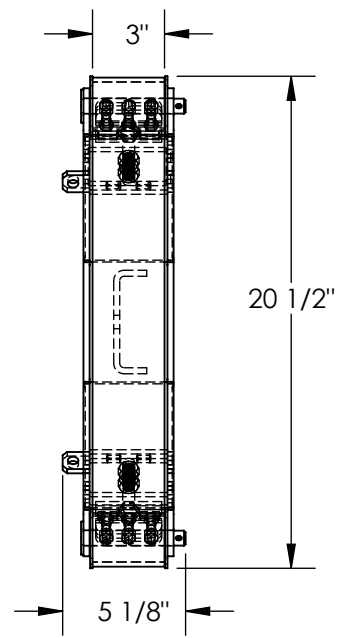
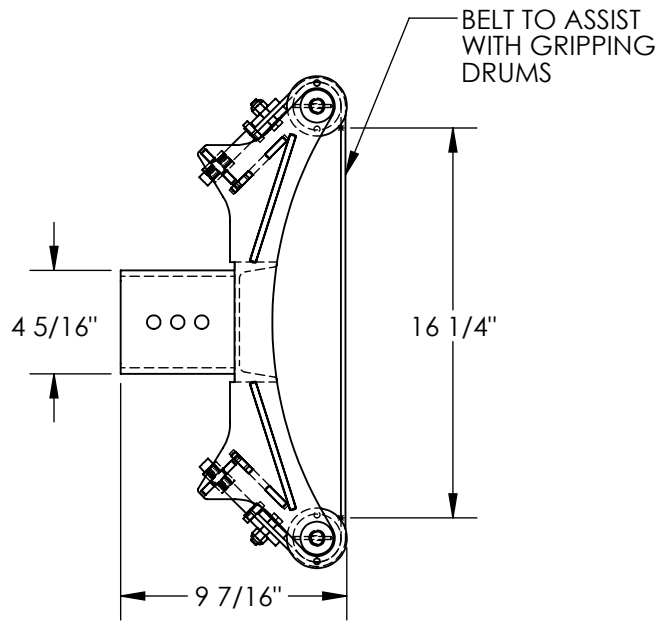


LIFTING DRUM SADDLE BELT STYLE - LDS-B1

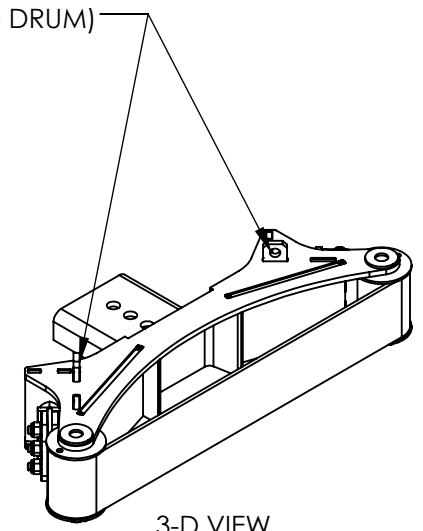
APPROX WEIGHT: 20.35 lbs.
DOES NOT INCLUDE WEIGHT OF POWER OR PACKAGING!!!

*** ANY ADDITIONS, DELETIONS, OR OMISSIONS MUST BE CORRECTED ON THIS DRAWING AS THIS DRAWING WILL BE CONSIDERED ALL INCLUSIVE ***

ALL GRAPHICS PROVIDED ARE FOR REFERENCE ONLY. IF CERTAIN DIMENSIONS ARE CRITICAL PLEASE VERIFY THOSE DIMENSIONS WITH YOUR SALESPERSON



TWO HOLES PROVIDED FOR RATCHET STRAP HOOK ATTACHMENT (STRAP IS TIGHTENED AROUND DRUM)



3-D VIEW FOR REFERENCE

DIMENSION TOLERANCE $\pm 1/4$ "

STANDARD FEATURES

- MODEL NUMBER IS LDS-B1
- SADDLE MAX CAPACITY IS 2,000 LBS
- CAPACITY OF THE UNIT THE SADDLE IS USED ON MUST NOT BE EXCEEDED
- OVERALL WIDTH IS 20 1/2"
- USABLE WIDTH 16 1/4"
- OVERALL LENGTH IS 9 7/16"
- OVERALL HEIGHT IS 5 1/8"
- BELT HEIGHT IS 3"
- UNIT CAN BE ATTACHED TO:
FMDL-1, FMDL-2, & DCR-880
- TOUGH BAKED IN POWDER COATED BLUE FINISH

SPECIAL FEATURES

NONE

APPROVAL	I, THE UNDERSIGNED, AGREE THAT THE PRODUCT AS REPRESENTED SATISFIES DESIGN AND DIMENSION REQUIREMENTS. I ALSO ACKNOWLEDGE MY DUTY TO CONFIRM PRODUCT AND INSTALLATION COMPLIANCE WITH ALL APPLICABLE FEDERAL, STATE AND LOCAL REGULATIONS AND STANDARDS.	
	ANY MODIFIED UNITS ARE NON-RETURNABLE	
	<input type="checkbox"/> As drawn	<input type="checkbox"/> As marked
	Signed: _____	Date: _____
	Printed Name: _____	
	<i>LEAD TIME WILL START UPON RECEIPT OF SIGNED APPROVAL DRAWING</i>	

FOR INTERNAL USE ONLY PROJECT SIGN OFF	
SALES	
ENG.	
FAB.	
POWER	

DISTRIBUTOR'S NAME:		P.O.#
VESTIL MANUFACTURING		X
DRAWN BY: B. WOOD		W.O.#
DATE: 04/18/2017		X
REFERENCE: X	SCALE: 1:8	SALES: X
QUOTED LEAD TIME: X	QUOTE #	FILE NAME:
	X	40-007-098