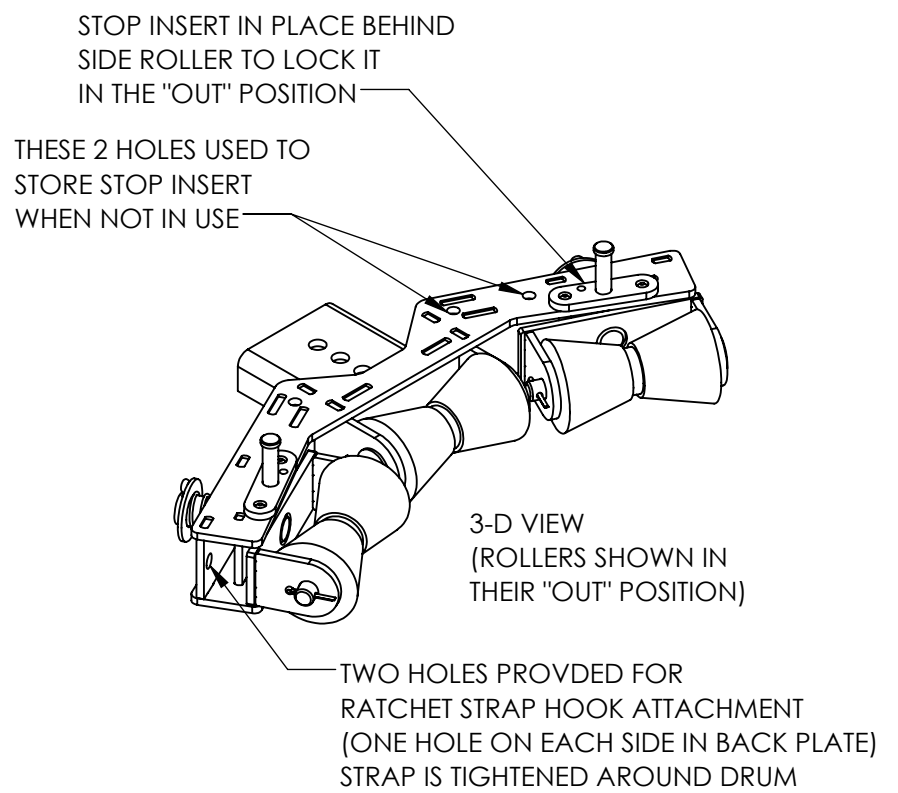
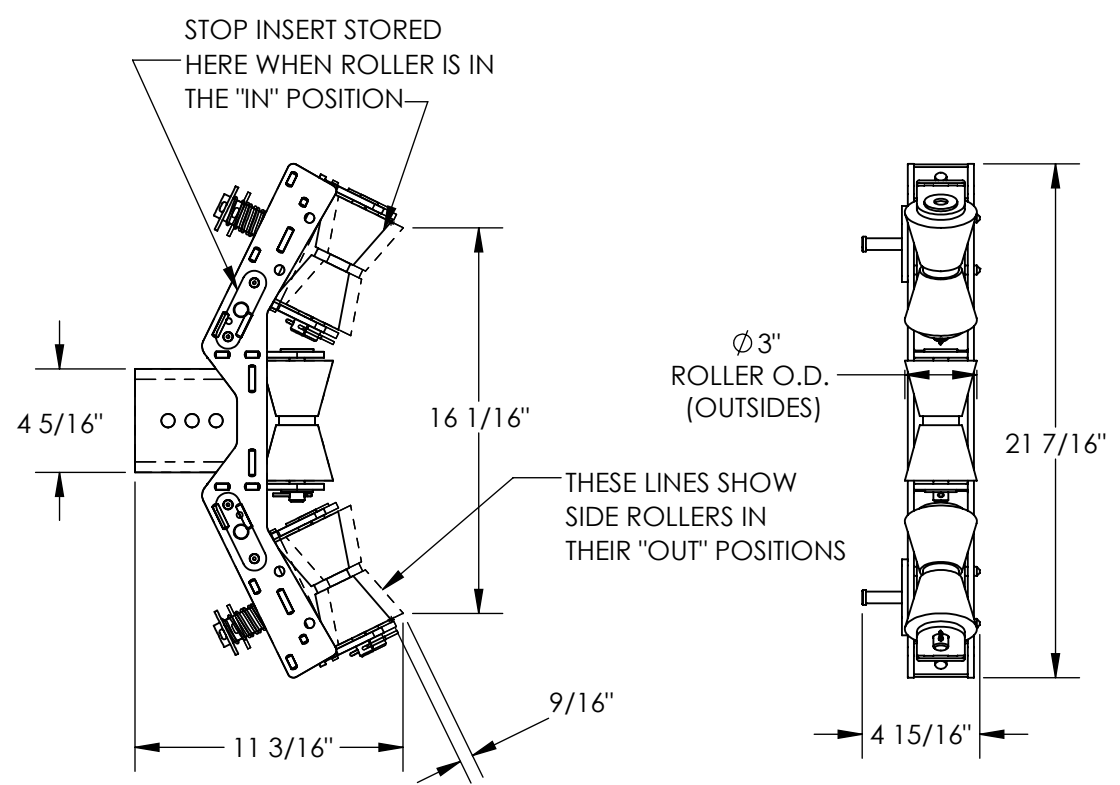


# LIFTING DRUM SADDLE ROLLER STYLE - LDS-R3

APPROX WEIGHT: 24.90 lbs.  
DOES NOT INCLUDE WEIGHT OF POWER OR PACKAGING!!!

\*\*\* ANY ADDITIONS, DELETIONS, OR OMISSIONS MUST BE CORRECTED ON THIS DRAWING AS THIS DRAWING WILL BE CONSIDERED ALL INCLUSIVE \*\*\*  
ALL GRAPHICS PROVIDED ARE FOR REFERENCE ONLY. IF CERTAIN DIMENSIONS ARE CRITICAL PLEASE VERIFY THOSE DIMENSIONS WITH YOUR SALESPERSON



## STANDARD FEATURES

- MODEL NUMBER IS LDS-R3
- SADDLE CAPACITY IS 1,000 LBS (ONE DRUM)
- CAPACITY OF THE UNIT THE SADDLE IS USED ON MUST NOT BE EXCEEDED
- 3 RUBBER ROLLERS SUPPORT A DRUM WITHOUT SCRATCHING
- SIDE ROLLERS ARE ADJUSTABLE IN AND OUT 9/16"
- OVERALL WIDTH IS 21 7/16"
- USABLE WIDTH IS 16 1/16"
- OVERALL LENGTH IS 11 3/16"
- OVERALL HEIGHT IS 4 15/16"
- UNIT CAN BE ATTACHED TO: FMDL-1, FMDL-2, & DCR-880
- TOUGH BAKED IN POWDER COATED BLUE FINISH

## SPECIAL FEATURES

NONE

DIMENSION TOLERANCE  $\pm 1/4"$

<b>APPROVAL</b>	I, THE UNDERSIGNED, AGREE THAT THE PRODUCT AS REPRESENTED SATISFIES DESIGN AND DIMENSION REQUIREMENTS. I ALSO ACKNOWLEDGE MY DUTY TO CONFIRM PRODUCT AND INSTALLATION COMPLIANCE WITH ALL APPLICABLE FEDERAL, STATE AND LOCAL REGULATIONS AND STANDARDS.	
	<b>ANY MODIFIED UNITS ARE NON-RETURNABLE</b>	
	[ ] As drawn      [ ] As marked	
	Signed: _____	Date: _____
Printed Name: _____		
<b>LEAD TIME WILL START UPON RECEIPT OF SIGNED APPROVAL DRAWING</b>		

FOR INTERNAL USE ONLY PROJECT SIGN OFF	
SALES	
ENG.	
FAB.	
POWER	

DISTRIBUTOR'S NAME:		P.O.#
VESTIL MANUFACTURING		X
DRAWN BY: BW		W.O.#
DATE: 4/18/17		X
REFERENCE: X	SCALE: 1:8	SALES: X
QUOTED LEAD TIME: X	QUOTE #	FILE NAME:
	X	40-007-097