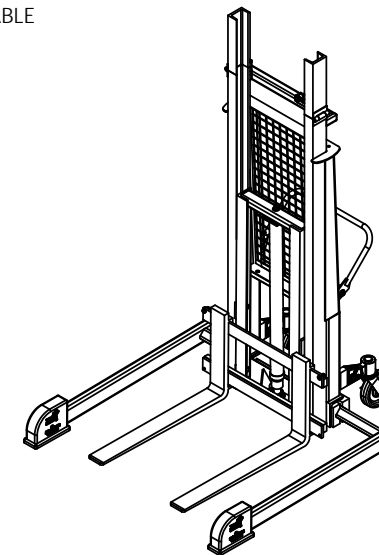
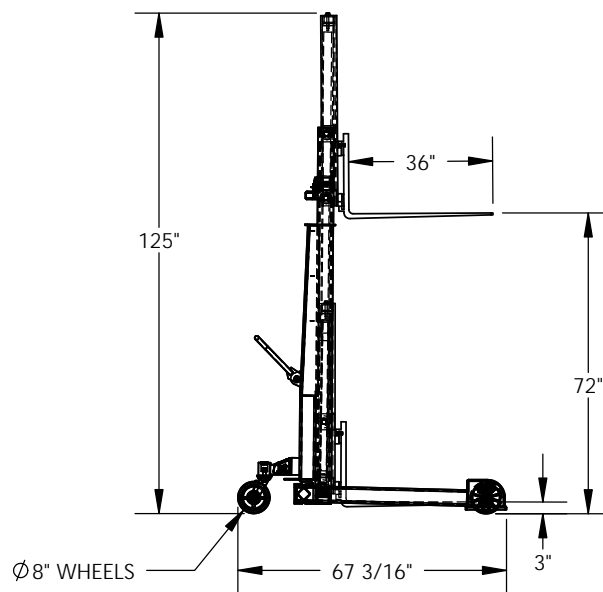
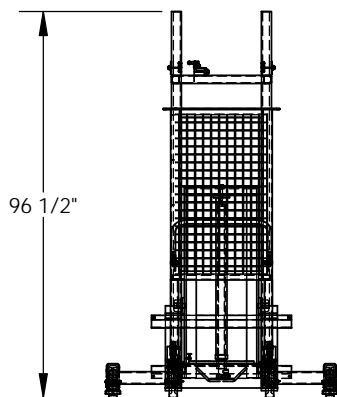
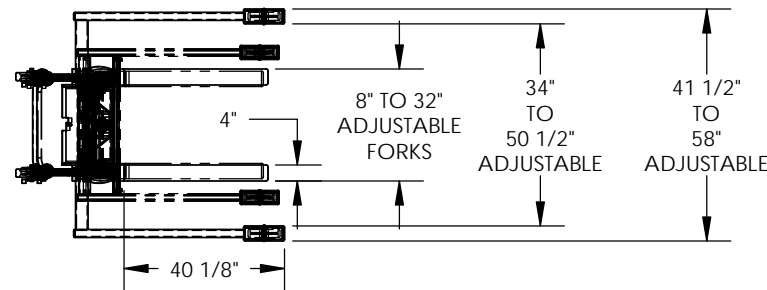


# PALLET MASTER/SERVER - LL-PMPS-72-AIR

APPROX WEIGHT: 937.64 lbs.  
DOES NOT INCLUDE WEIGHT OF POWER OR PACKAGING!!!

\*\*\* ANY ADDITIONS, DELETIONS, OR OMISSIONS MUST BE CORRECTED ON THIS DRAWING AS THIS DRAWING WILL BE CONSIDERED ALL INCLUSIVE \*\*\*

ALL GRAPHICS PROVIDED ARE FOR REFERENCE ONLY. IF CERTAIN DIMENSIONS ARE CRITICAL PLEASE VERIFY THOSE DIMENSIONS WITH YOUR SALESPERSON



DIMENSION TOLERANCE ± 1/4"

## STANDARD FEATURES

- MODEL NUMBER: LL-PMPS-72-AIR
- OVERALL WIDTH: 58" MAX
- OVERALL LENGTH: 67 3/16"
- OVERALL HEIGHT (RAISED): 125"
- OVERALL HEIGHT (LOWERED): 96 1/2"
- FORK HEIGHT (RAISED): 72"
- FORK HEIGHT (LOWERED): 3"
- FORK CAPACITY: 1200 lbs (EVENLY DISTRIBUTED)
- FORKS: 1 1/2" THICK X 4" WIDE X 36" LONG
- MAXIMUM FORK SPREAD: 32"
- RECIPROCATING AIR POWERED HYDRAULIC
- 15 CFM @ 100 PSI (1/4 GPM)
- FOOT TREADLE CONTROL
- ALL STEEL CONSTRUCTION (ASTM A-36 MIN)

## SPECIAL FEATURES

NONE

<b>APPROVAL</b>	I, THE UNDERSIGNED, AGREE THAT THE PRODUCT AS REPRESENTED SATISFIES DESIGN AND DIMENSION REQUIREMENTS. I ALSO ACKNOWLEDGE MY DUTY TO CONFIRM PRODUCT AND INSTALLATION COMPLIANCE WITH ALL APPLICABLE FEDERAL, STATE AND LOCAL REGULATIONS AND STANDARDS.	
	<b>ANY MODIFIED UNITS ARE NON-RETURNABLE</b>	
	[ ] As drawn      [ ] As marked	
	Signed: _____	Date: _____
Printed Name: _____		
<i>LEAD TIME WILL START UPON RECEIPT OF SIGNED APPROVAL DRAWING</i>		

FOR INTERNAL USE ONLY PROJECT SIGN OFF	
SALES	
ENG.	
FAB.	
POWER	

DISTRIBUTOR'S NAME:		P.O.#
VESTIL MANUFACTURING		X
DRAWN BY: KGH		W.O.#
DATE: 9/26/2016		X
REFERENCE: X	SCALE: 1:48	SALES: X
QUOTED LEAD TIME: X	QUOTE #	FILE NAME:
	X	38-007-015-002