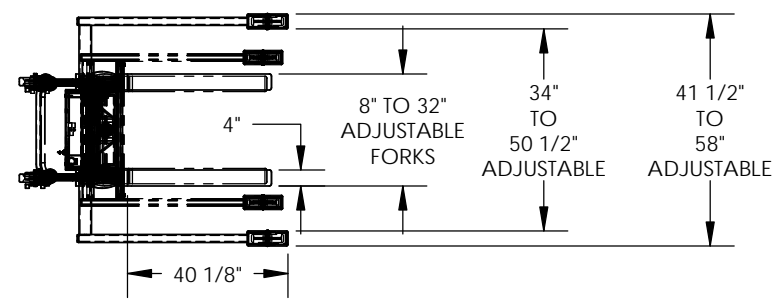


# PALLET MASTER/SERVER - LL-PMPS-72-DC

APPROX WEIGHT: 937.64 lbs.  
 DOES NOT INCLUDE WEIGHT OF POWER OR PACKAGING!!!

\*\*\* ANY ADDITIONS, DELETIONS, OR OMISSIONS MUST BE CORRECTED ON THIS DRAWING AS THIS DRAWING WILL BE CONSIDERED ALL INCLUSIVE \*\*\*

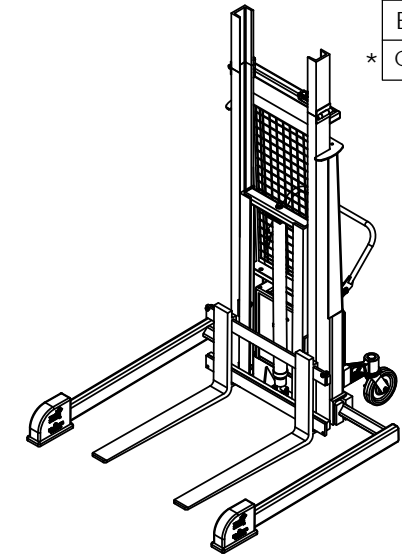
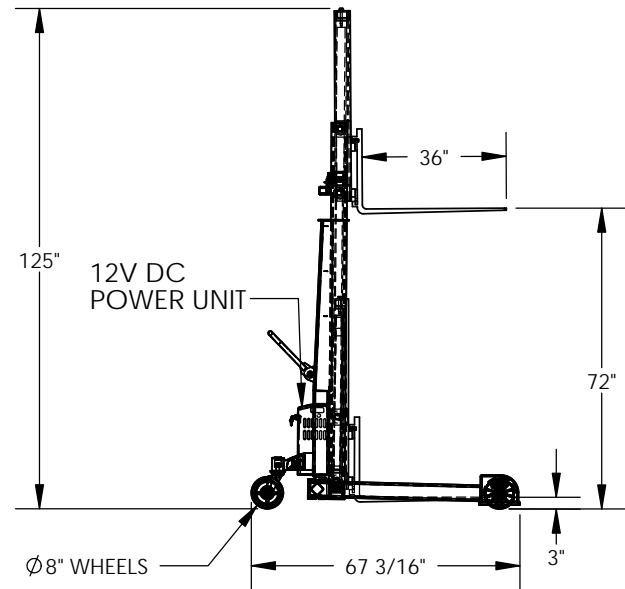
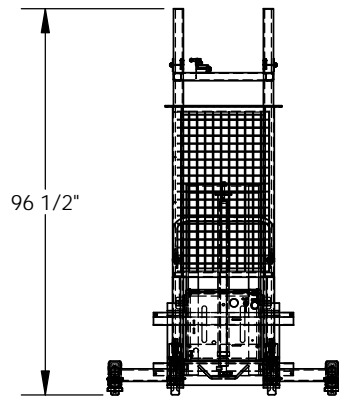
ALL GRAPHICS PROVIDED ARE FOR REFERENCE ONLY. IF CERTAIN DIMENSIONS ARE CRITICAL PLEASE VERIFY THOSE DIMENSIONS WITH YOUR SALESPERSON



### PLEASE CIRCLE SPECIFICATIONS:

|                                      |  |  |   |                              |
|--------------------------------------|--|--|---|------------------------------|
| POWER                                | <input type="checkbox"/> AC              | <input checked="" type="checkbox"/> DC (12V) | <input checked="" type="checkbox"/> AIR/OIL |                              |
| MOTOR VOLTAGE                        | <input type="checkbox"/> 115             | <input type="checkbox"/> 208                 | <input type="checkbox"/> 230                | <input type="checkbox"/> 460 |
| DEDICATED CIRCUIT REQUIRED           |  |  |   |                              |
| MOTOR PHASE                          | <input type="checkbox"/> SINGLE          |  | <input type="checkbox"/> THREE              |                              |
| CONTROL                              | <input checked="" type="checkbox"/> HAND |  | <input checked="" type="checkbox"/> * FOOT  |                              |
| ~ ALL BATTERY CHARGERS ARE 115V AC ~ |  |  |   |                              |
| BATTERY CHR.G.                       | <input type="checkbox"/> REMOTE          | <input checked="" type="checkbox"/> ON-BOARD |   |                              |
| * CHR.G. INDICATOR                   | <input type="checkbox"/> YES             | <input type="checkbox"/> NO                  |   |                              |

\* AVAILABLE AT ADDITIONAL COST



DIMENSION TOLERANCE ± 1/4"

### STANDARD FEATURES

- MODEL NUMBER: LL-PMPS-72-DC
- OVERALL WIDTH: 58" MAX
- OVERALL LENGTH: 67 3/16"
- OVERALL HEIGHT (RAISED): 125"
- OVERALL HEIGHT (LOWERED): 96 1/2"
- FORK HEIGHT (RAISED): 72"
- FORK HEIGHT (LOWERED): 3"
- FORK CAPACITY: 1200 lbs (EVENLY DISTRIBUTED)
- FORKS: 1 1/2" THICK X 4" WIDE X 36" LONG
- MAXIMUM FORK SPREAD: 32"
- 12V DC POWER UNIT
- CONTROL PENDANT W/ 8' CORD NOT SHOWN
- ALL STEEL CONSTRUCTION (ASTM A-36 MIN)

### SPECIAL FEATURES

NONE

**APPROVAL**

I, THE UNDERSIGNED, AGREE THAT THE PRODUCT AS REPRESENTED SATISFIES DESIGN AND DIMENSION REQUIREMENTS. I ALSO ACKNOWLEDGE MY DUTY TO CONFIRM PRODUCT AND INSTALLATION COMPLIANCE WITH ALL APPLICABLE FEDERAL, STATE AND LOCAL REGULATIONS AND STANDARDS.

**ANY MODIFIED UNITS ARE NON-RETURNABLE**

[ ] As drawn      [ ] As marked

Signed: \_\_\_\_\_ Date: \_\_\_\_\_

Printed Name: \_\_\_\_\_

LEAD TIME WILL START UPON RECEIPT OF SIGNED APPROVAL DRAWING

|   |  |
|---|--|
| FOR INTERNAL USE ONLY<br>PROJECT SIGN OFF |  |
| SALES                                     |  |
| ENG.                                      |  |
| FAB.                                      |  |
| POWER                                     |  |

|                      |     |                 |
|----------------------|-----|-----------------|
| DISTRIBUTOR'S NAME:  |     | P.O.#           |
| VESTIL MANUFACTURING |     | X               |
| W.O.#                |     | X               |
| DRAWN BY:            | KGH | DATE: 9/26/2016 |
| SALES:               |     | X               |
| REFERENCE:           | X   | SCALE: 1:48     |
| FILE NAME:           |     | 38-007-015      |
| QUOTED LEAD TIME:    | X   | QUOTE # X       |