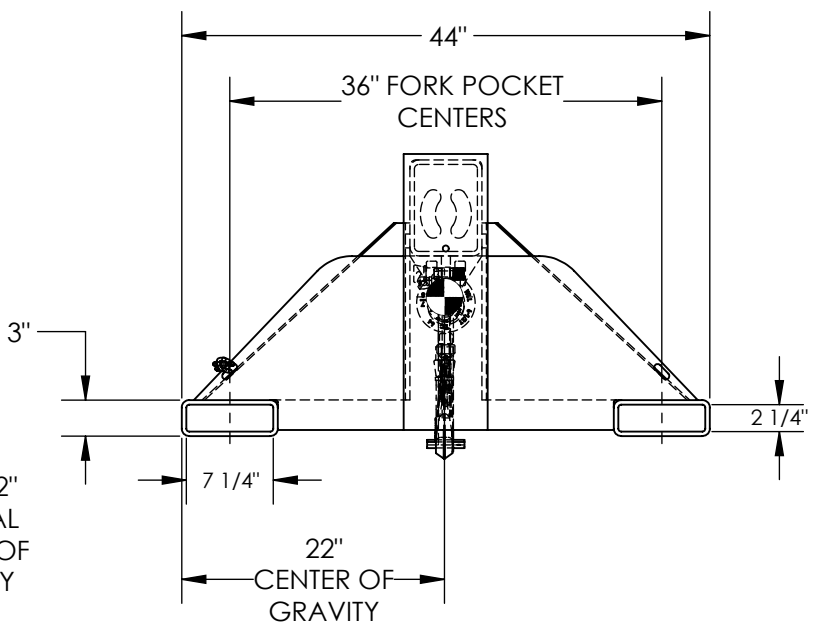
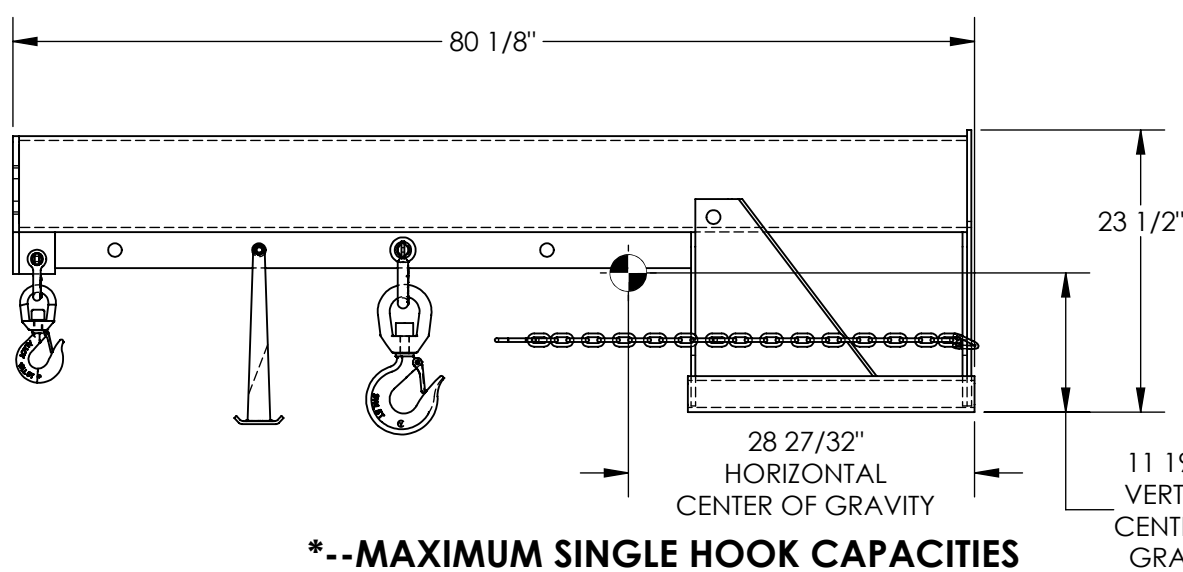


# LIFT MASTER BOOM, LIFT MASTER ONE, NON-TELESCOPING BOOM-LM-1NT-8-36

APPROX WEIGHT: 538.00 lbs.  
 DOES NOT INCLUDE WEIGHT OF POWER OR PACKAGING!!!

\*\*\* ANY ADDITIONS, DELETIONS, OR OMISSIONS MUST BE CORRECTED ON THIS DRAWING AS THIS DRAWING WILL BE CONSIDERED ALL INCLUSIVE \*\*\*  
 ALL GRAPHICS PROVIDED ARE FOR REFERENCE ONLY. IF CERTAIN DIMENSIONS ARE CRITICAL PLEASE VERIFY THOSE DIMENSIONS WITH YOUR SALESPERSON



### \*--MAXIMUM SINGLE HOOK CAPACITIES

DISTANCE	36"	48"	60"	72"	78"
CAPACITY	8000	6650	6000	5300	4850

### STANDARD FEATURES

- MODEL NUMBER IS LM-1NT-8-36
- CAPACITY IS 8,000 LBS
- OVERALL HEIGHT - 23 1/2"
- OVERALL LENGTH - 80 1/8"
- OVERALL WIDTH IS 44"
- 36" MINIMUM HOOK POINT
- 78" MAXIMUM HOOK POINT
- USABLE FORK POCKET - 2 1/4" x 7 1/4"
- 36" FORK POCKET CENTERS
- DURABLE BAKED IN POWDER COATED BLUE FINISH

### SPECIAL FEATURES

NONE

APPROX. WEIGHT / LOST LOAD = 538.00  
 MINIMUM EFFECTIVE THICKNESS = LESS THAN 1"  
 VERTICAL CENTER OF GRAVITY = 11 19/32"  
 HORIZONTAL CENTER OF GRAVITY = 28 27/32"

NEVER EXCEED LOAD CENTER RATING PER FORKTRUCK MANUFACTURERS GUIDELINES.  
 DO NOT USE THIS FORK TRUCK ATTACHMENT IF LOAD WILL EXCEED FORK TRUCK MANUFACTURER'S LOAD CENTER RATING

DIMENSION TOLERANCE ± 1/4"

**APPROVAL**

I, THE UNDERSIGNED, AGREE THAT THE PRODUCT AS REPRESENTED SATISFIES DESIGN AND DIMENSION REQUIREMENTS. I ALSO ACKNOWLEDGE MY DUTY TO CONFIRM PRODUCT AND INSTALLATION COMPLIANCE WITH ALL APPLICABLE FEDERAL, STATE AND LOCAL REGULATIONS AND STANDARDS.

**UNITS REQUIRING APPROVAL DRAWINGS OR MODIFIED ARE NON-RETURNABLE**

[ ] As drawn [ ] As marked

Signed: \_\_\_\_\_ Date: \_\_\_\_\_

Printed Name: \_\_\_\_\_

LEAD TIME WILL START UPON RECEIPT OF SIGNED APPROVAL DRAWING

DISTRIBUTOR'S NAME:		P.O.#	
VESTIL MANUFACTURING		X	
DRAWN BY: B.NOTHNAGEL		DATE: 7/13/2015	W.O.#
REFERENCE: X		SCALE: 1:16	X
QUOTED LEAD TIME: X		QUOTE #	FILE NAME:
		X	08-007-318