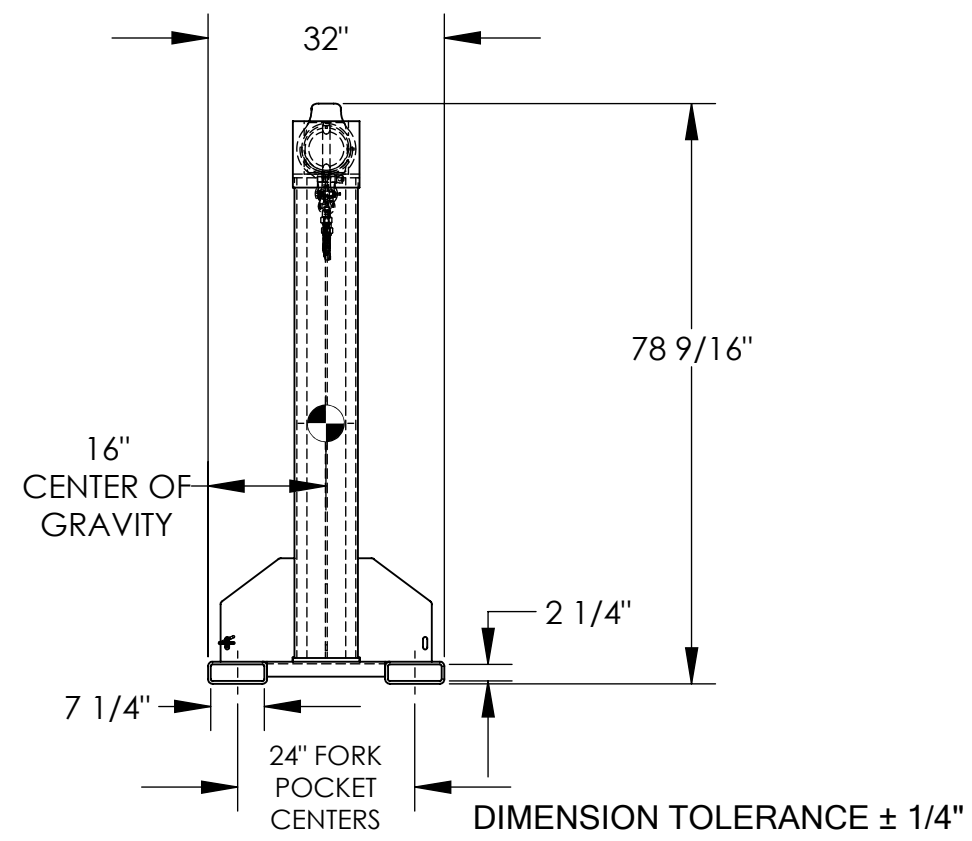
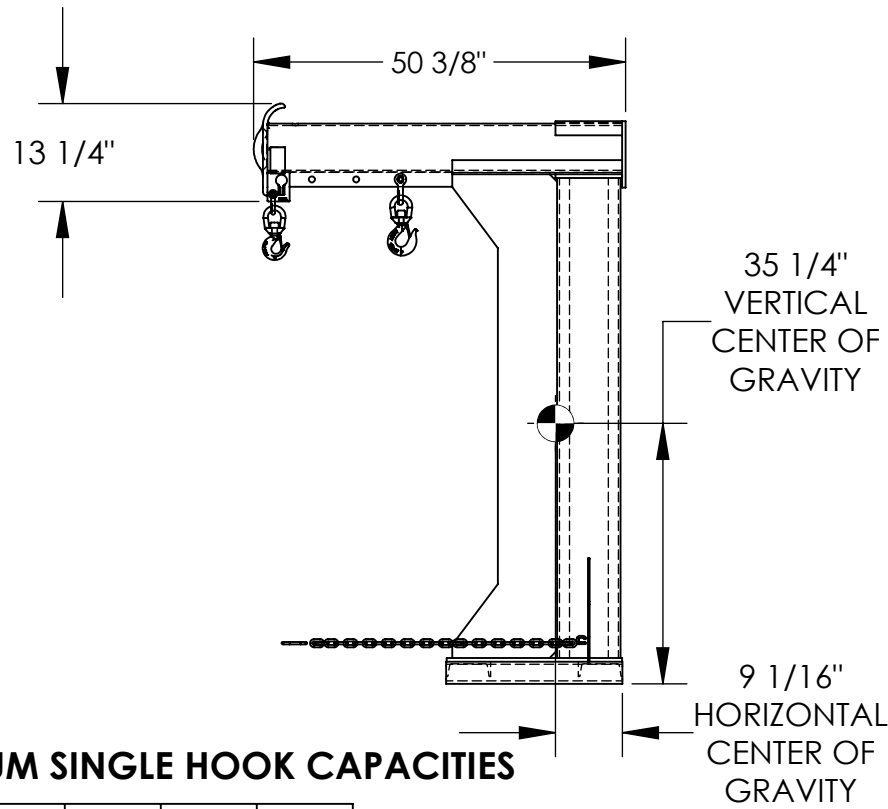


LIFT MASTER BOOM, HIGH RISE, NON-TELESCOPING BOOM - LM-HRNT-6-24

APPROX WEIGHT: 923.72 lbs.
 DOES NOT INCLUDE WEIGHT OF POWER OR PACKAGING!!!

*** ANY ADDITIONS, DELETIONS, OR OMISSIONS MUST BE CORRECTED ON THIS DRAWING AS THIS DRAWING WILL BE CONSIDERED ALL INCLUSIVE ***
 ALL GRAPHICS PROVIDED ARE FOR REFERENCE ONLY. IF CERTAIN DIMENSIONS ARE CRITICAL PLEASE VERIFY THOSE DIMENSIONS WITH YOUR SALESPERSON



*--MAXIMUM SINGLE HOOK CAPACITIES

DISTANCE	30"	36"	42"	48"
CAPACITY	6000	5000	4500	4000

APPROX. WEIGHT / LOST LOAD = 923.72
 MINIMUM EFFECTIVE THICKNESS = LESS THAN 1"
 NEVER EXCEED LOAD CENTER
 RATING PER FORKTRUCK
 MANUFACTURERS GUIDELINES.
 DO NOT USE THIS FORK TRUCK
 ATTACHMENT IF LOAD WILL EXCEED
 FORK TRUCK MANUFACTURER'S
 LOAD CENTER RATING

STANDARD FEATURES

- MODEL NUMBER: LM-HRNT-6-24
- CAPACITY: 6,000 LBS
- OVERALL HEIGHT - 78 9/16"
- LENGTH - 50 3/8"
- OVERALL WIDTH - 32"
- USABLE FORK POCKET - 2 1/4" X 7 1/4"
- 24" FORK POCKET CENTERS
- 30" MINIMUM HOOK POINT
- 48" MAXIMUM HOOK POINT
- TOUGH BAKED IN POWDER COATED BLUE FINISH

SPECIAL FEATURES

NONE

APPROVAL	I, THE UNDERSIGNED, AGREE THAT THE PRODUCT AS REPRESENTED SATISFIES DESIGN AND DIMENSION REQUIREMENTS. I ALSO ACKNOWLEDGE MY DUTY TO CONFIRM PRODUCT AND INSTALLATION COMPLIANCE WITH ALL APPLICABLE FEDERAL, STATE AND LOCAL REGULATIONS AND STANDARDS.	
	UNITS REQUIRING APPROVAL DRAWINGS OR MODIFIED ARE NON-RETURNABLE	
	[] As drawn [] As marked	
	Signed: _____	Date: _____
Printed Name: _____		
LEAD TIME WILL START UPON RECEIPT OF SIGNED APPROVAL DRAWING		

DISTRIBUTOR'S NAME:		P.O.#
VESTIL MANUFACTURING		X
DRAWN BY: BCN		DATE: 6/7/2016
REFERENCE: X		SALES: X
QUOTED LEAD TIME: X		SCALE: 1:30
QUOTE # X		FILE NAME: 08-007-008