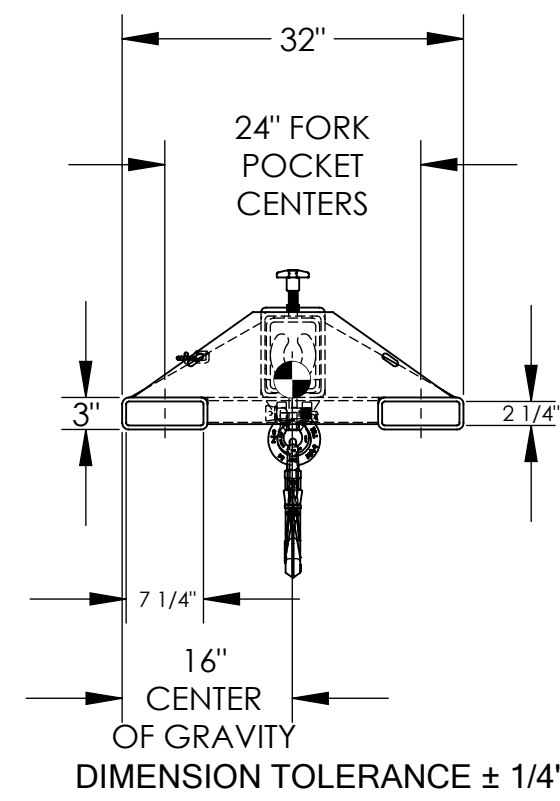
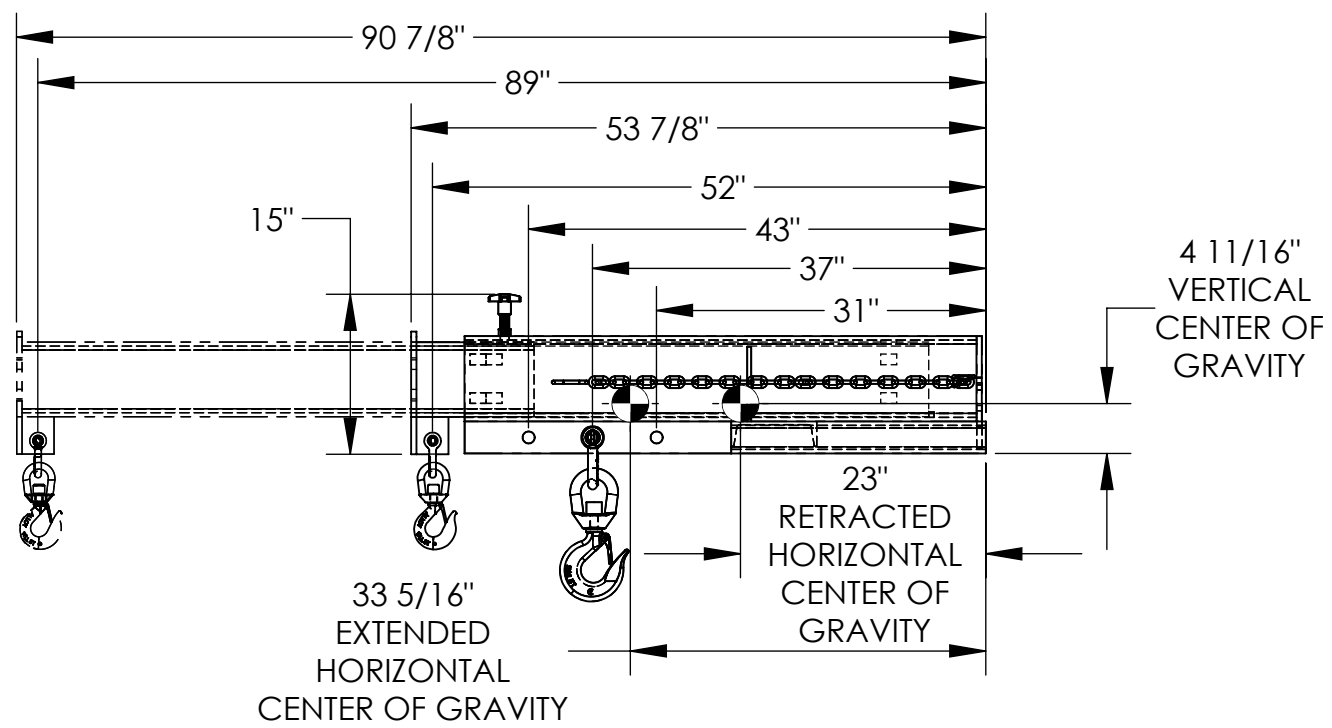


# SHORTY LIFT MASTER BOOM, TELESCOPING - LMS-EBT-46-8

APPROX WEIGHT: 443.12 lbs.  
 DOES NOT INCLUDE WEIGHT OF POWER OR PACKAGING!!!

\*\*\* ANY ADDITIONS, DELETIONS, OR OMISSIONS MUST BE CORRECTED ON THIS DRAWING AS THIS DRAWING WILL BE CONSIDERED ALL INCLUSIVE \*\*\*  
 ALL GRAPHICS PROVIDED ARE FOR REFERENCE ONLY. IF CERTAIN DIMENSIONS ARE CRITICAL PLEASE VERIFY THOSE DIMENSIONS WITH YOUR SALESPERSON



**\*--MAXIMUM SINGLE HOOK CAPACITIES**

<b>DISTANCE</b>	31"	37"	43"	52"	64"	76 1/2"	89"
<b>CAPACITY</b>	8000	7600	7200	6610	5825	5010	4200

## STANDARD FEATURES

- MODEL NUMBER IS LMS-EBT-46-8
- CAPACITY IS 8,000 LBS.
- OVERALL WIDTH IS 32"
- FORK POCKET CENTERS IS 24"
- OVERALL LENGTH (RETRACTED) IS 53 7/8"
- OVERALL LENGTH (EXTENDED) IS 90 7/8"
- OVERALL HEIGHT IS 15"
- USABLE FORK POCKET IS 2 1/4" X 7 1/4"
- 31" MINIMUM HOOK POINT
- 89" MAXIMUM HOOK POINT
- FRAME DURABLE LIQUID PAINT BLUE FINISH
- BOOM DURABLE LIQUID PAINT YELLOW FINISH

## SPECIAL FEATURES

- NONE
- APPROX. WEIGHT / LOST LOAD = 443.12
- MINIMUM EFFECTIVE THICKNESS = LESS THAN 1"
- NEVER EXCEED LOAD CENTER
- RATING PER FORKTRUCK
- MANUFACTURERS GUIDELINES.
- DO NOT USE THIS FORK TRUCK
- ATTACHMENT IF LOAD WILL EXCEED
- FORK TRUCK MANUFACTURER'S
- LOAD CENTER RATING

**APPROVAL**

I, THE UNDERSIGNED, AGREE THAT THE PRODUCT AS REPRESENTED SATISFIES DESIGN AND DIMENSION REQUIREMENTS. I ALSO ACKNOWLEDGE MY DUTY TO CONFIRM PRODUCT AND INSTALLATION COMPLIANCE WITH ALL APPLICABLE FEDERAL, STATE AND LOCAL REGULATIONS AND STANDARDS.

**UNITS REQUIRING APPROVAL DRAWINGS OR MODIFIED ARE NON-RETURNABLE**

As drawn       As marked

Signed: \_\_\_\_\_ Date: \_\_\_\_\_

Printed Name: \_\_\_\_\_

**LEAD TIME WILL START UPON RECEIPT OF SIGNED APPROVAL DRAWING**

DISTRIBUTOR'S NAME:		P.O.#
VESTIL MANUFACTURING		X
DRAWN BY: BCN	DATE: 8/22/2016	W.O.#
REFERENCE: X	SCALE: 1:18	X
QUOTED LEAD TIME: X	QUOTE #	FILE NAME:
	X	08-007-212