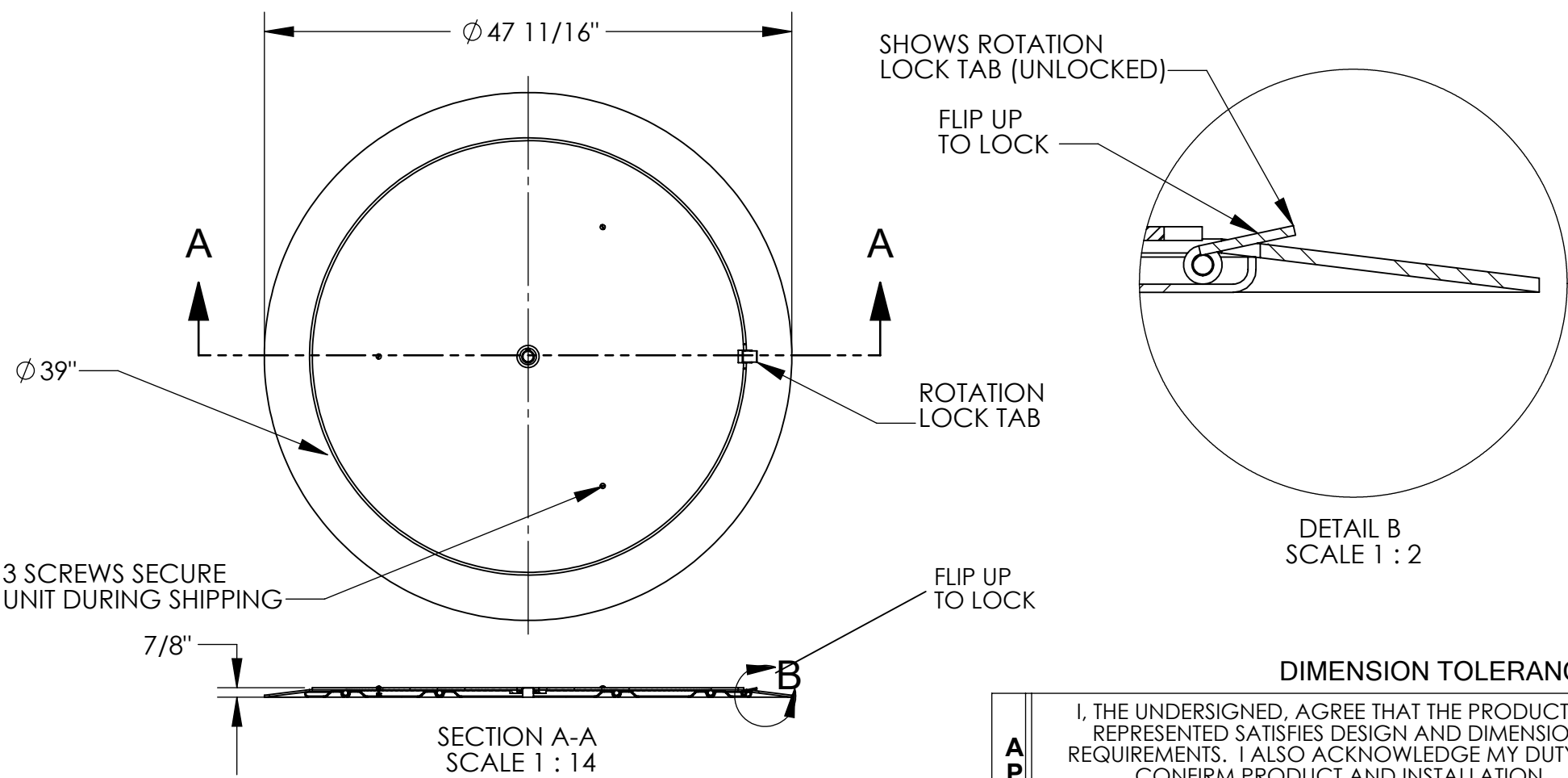


STAINLESS STEEL THIN SPIN - PALLET TRUCK LOADABLE CAROUSEL - LP-4000T-39-SS

APPROX WEIGHT: 137.89 lbs.
 DOES NOT INCLUDE WEIGHT OF POWER OR PACKAGING!!!

*** ANY ADDITIONS, DELETIONS, OR OMISSIONS MUST BE CORRECTED ON THIS DRAWING AS THIS DRAWING WILL BE CONSIDERED ALL INCLUSIVE ***
 ALL GRAPHICS PROVIDED ARE FOR REFERENCE ONLY. IF CERTAIN DIMENSIONS ARE CRITICAL PLEASE VERIFY THOSE DIMENSIONS WITH YOUR SALESPERSON



DETAIL B
 SCALE 1 : 2

DIMENSION TOLERANCE ± 1/4"

STANDARD FEATURES

- MODEL NUMBER IS LP-4000T-39-SS
- CAPACITY IS 4,000 LBS
- USEABLE DIAMETER IS 39"
- OVERALL DIAMETER IS 47 11/16"
- OVERALL HEIGHT IS 7/8"
- STARTING FORCE: 35 LBS @ 4,000 LBS
- MAINTAIN FORCE : 25 LBS @ 4,000 LBS
- STAINLESS STEEL CONSTRUCTION WITH UNPOLISHED (MILL) FINISH

SPECIAL FEATURES

NONE

APPROVAL	I, THE UNDERSIGNED, AGREE THAT THE PRODUCT AS REPRESENTED SATISFIES DESIGN AND DIMENSION REQUIREMENTS. I ALSO ACKNOWLEDGE MY DUTY TO CONFIRM PRODUCT AND INSTALLATION COMPLIANCE WITH ALL APPLICABLE FEDERAL, STATE AND LOCAL REGULATIONS AND STANDARDS.	
	UNITS REQUIRING APPROVAL DRAWINGS OR MODIFIED ARE NON-RETURNABLE	
	[] As drawn [] As marked	
	Signed: _____	Date: _____
Printed Name: _____		
LEAD TIME WILL START UPON RECEIPT OF SIGNED APPROVAL DRAWING		

DISTRIBUTOR'S NAME:		P.O.#
VESTIL MANUFACTURING		X
DRAWN BY: STL		DATE: 02/01/2016
REFERENCE: X		SCALE: 1:12
QUOTED LEAD TIME: X	QUOTE # X	SALES: X
		FILE NAME: 20-007-163