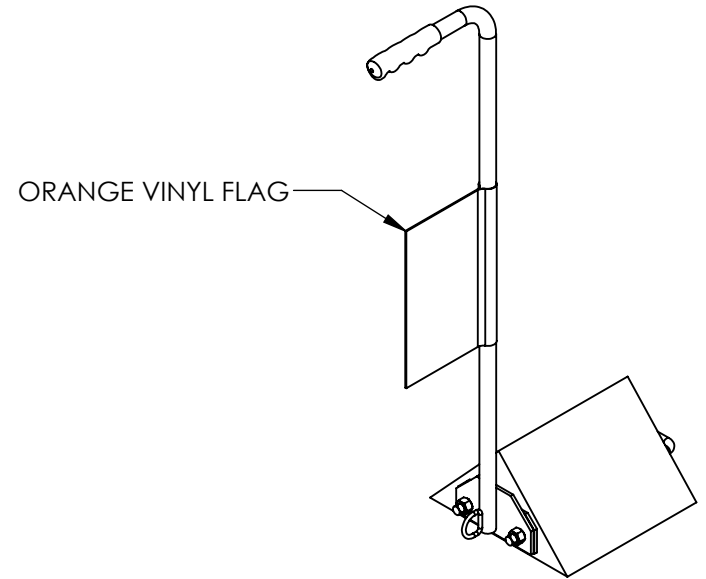
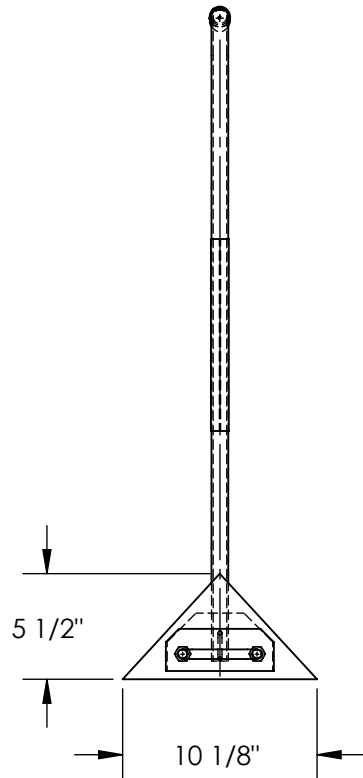
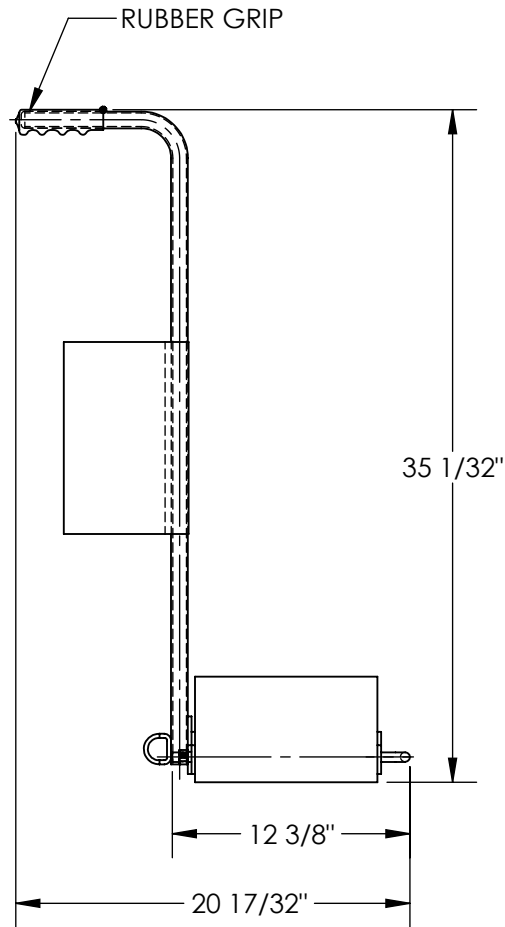


ERGO-HANDLE WHEEL CHOCK - LWC-14M-ERGO-FL

APPROX WEIGHT: 15 lbs.
 DOES NOT INCLUDE WEIGHT OF POWER OR PACKAGING!!!

*** ANY ADDITIONS, DELETIONS, OR OMISSIONS MUST BE CORRECTED ON THIS DRAWING AS THIS DRAWING WILL BE CONSIDERED ALL INCLUSIVE ***

ALL GRAPHICS PROVIDED ARE FOR REFERENCE ONLY. IF CERTAIN DIMENSIONS ARE CRITICAL PLEASE VERIFY THOSE DIMENSIONS WITH YOUR SALESPERSON



DIMENSION TOLERANCE $\pm 1/4"$

STANDARD FEATURES

- MODEL NUMBER: LWC-14M-ERGO-FL
- CHOCK WIDTH: 12 3/8"
- CHOCK LENGTH: 10 1/8"
- CHOCK HEIGHT: 5 1/2"
- OVERALL WIDTH: 20 17/32"
- OVERALL HEIGHT: 35 1/32"
- HANDLE COMES WITH RUBBER GRIP
- HIGH-VIS FLORESCENT ORANGE FLAG ON HANDLE
- TOUGH BAKED IN POWDER COATED YELLOW FINISH
- SHIPS KNOCKED DOWN

SPECIAL FEATURES

NONE

APPROVAL

I, THE UNDERSIGNED, AGREE THAT THE PRODUCT AS REPRESENTED SATISFIES DESIGN AND DIMENSION REQUIREMENTS. I ALSO ACKNOWLEDGE MY DUTY TO CONFIRM PRODUCT AND INSTALLATION COMPLIANCE WITH ALL APPLICABLE FEDERAL, STATE AND LOCAL REGULATIONS AND STANDARDS.

UNITS REQUIRING APPROVAL DRAWINGS OR MODIFIED ARE NON-RETURNABLE

As drawn As marked

Signed: _____ Date: _____

Printed Name: _____

LEAD TIME WILL START UPON RECEIPT OF SIGNED APPROVAL DRAWING

DISTRIBUTOR'S NAME:		P.O.#
VESTIL MANUFACTURING		X
DRAWN BY: MAS		W.O.#
DATE: 07/30/2021		X
REFERENCE: X	SCALE: 1:10	SALES: X
QUOTED LEAD TIME: X	QUOTE #	FILE NAME:
	X	29-007-337