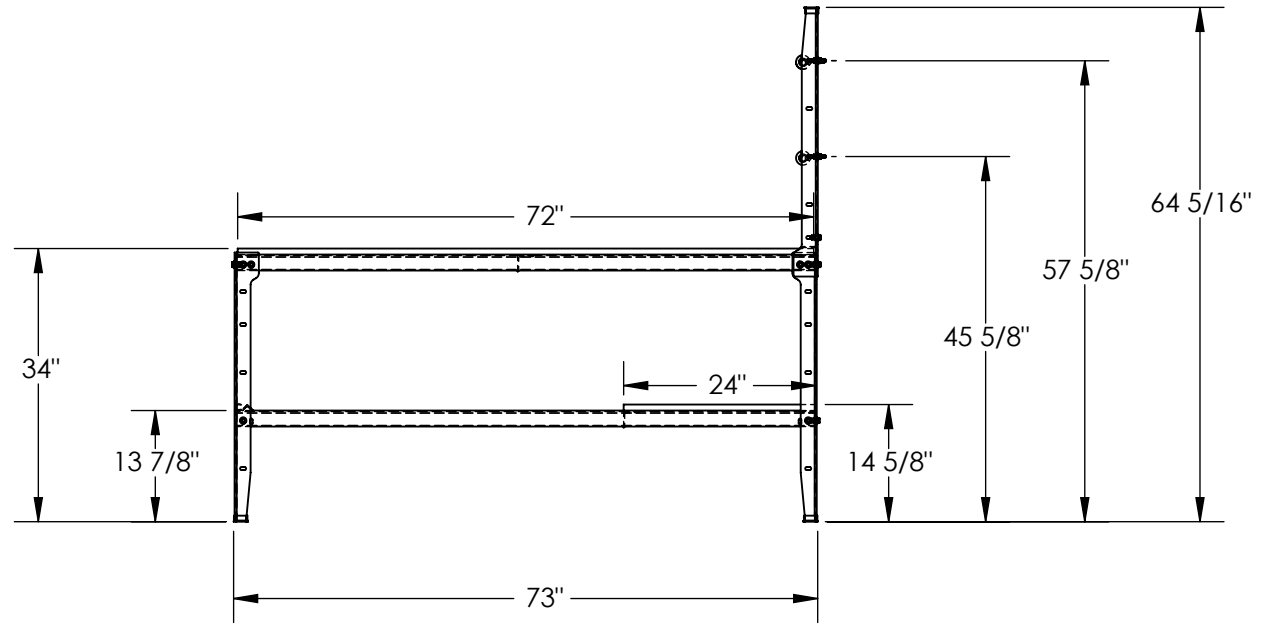
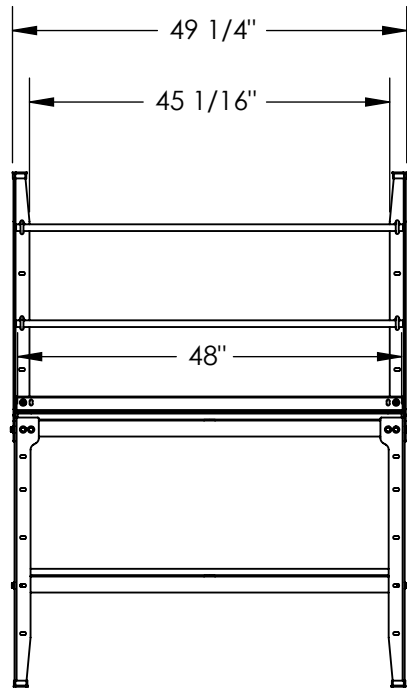


MULTI-PURPOSE PACKAGING BENCH - MPPB-4794

APPROX WEIGHT: 163.63 lbs.
 DOES NOT INCLUDE WEIGHT OF POWER OR PACKAGING!!!

*** ANY ADDITIONS, DELETIONS, OR OMISSIONS MUST BE CORRECTED ON THIS DRAWING AS THIS DRAWING WILL BE CONSIDERED ALL INCLUSIVE ***

ALL GRAPHICS PROVIDED ARE FOR REFERENCE ONLY. IF CERTAIN DIMENSIONS ARE CRITICAL PLEASE VERIFY THOSE DIMENSIONS WITH YOUR SALESPERSON

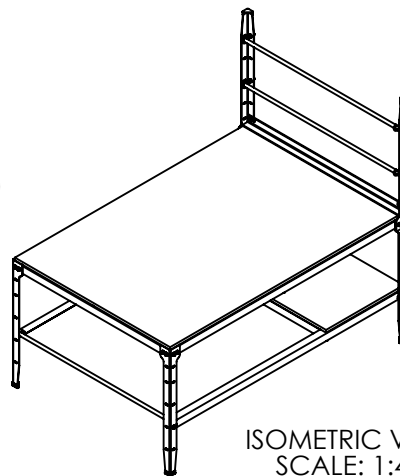


STANDARD FEATURES

- MODEL NUMBER: MPPB-4794
- OVERALL WIDTH: 49 1/4"
- OVERALL LENGTH: 73"
- OVERALL HEIGHT: 64 5/16"
- TOP SHELF: 48" X 72" LG
- BOTTOM SHELF: 48" X 24" LG
- MAXIMUM ROLL WIDTH: 44"
- MAXIMUM ROLL DIAMETER: 20"
- ROLL HEIGHTS: 46 1/8" & 58 1/2" (ADJUSTABLE)
- BOTTOM SHELF HEIGHT: 14 5/8" (ADJUSTABLE)
- TOP SHELF HEIGHT: 34"

SPECIAL FEATURES

NONE



ISOMETRIC VIEW
 SCALE: 1:42

I, THE UNDERSIGNED, AGREE THAT THE PRODUCT AS REPRESENTED SATISFIES DESIGN AND DIMENSION REQUIREMENTS. I ALSO ACKNOWLEDGE MY DUTY TO CONFIRM PRODUCT AND INSTALLATION COMPLIANCE WITH ALL APPLICABLE FEDERAL, STATE AND LOCAL REGULATIONS AND STANDARDS.

ALL SPECIAL UNITS ARE NON-RETURNABLE
 As drawn As marked

Signed: _____ Date: _____

LEAD TIME WILL START UPON RECEIPT OF SIGNED APPROVAL DRAWING

DISTRIBUTOR'S NAME:		P.O.#
VESTIL MANUFACTURING		X
DRAWN BY: X		W.O.#
DATE: XX/XX/XX		X
REFERENCE: X	SCALE: 1:24	SALES: X
QUOTED LEAD TIME: X	QUOTE # X	FILE NAME:
		43-007-007