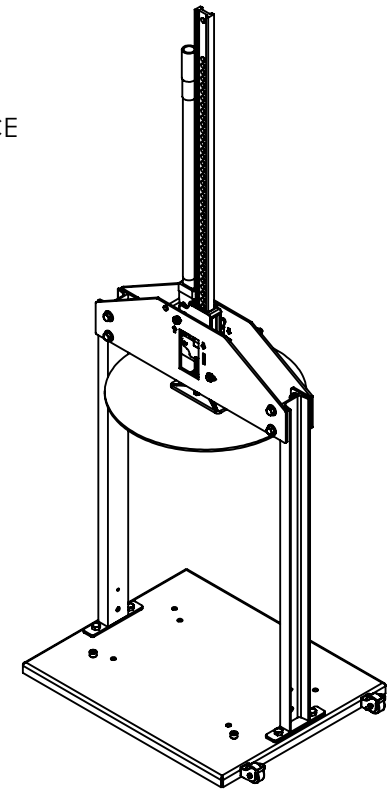
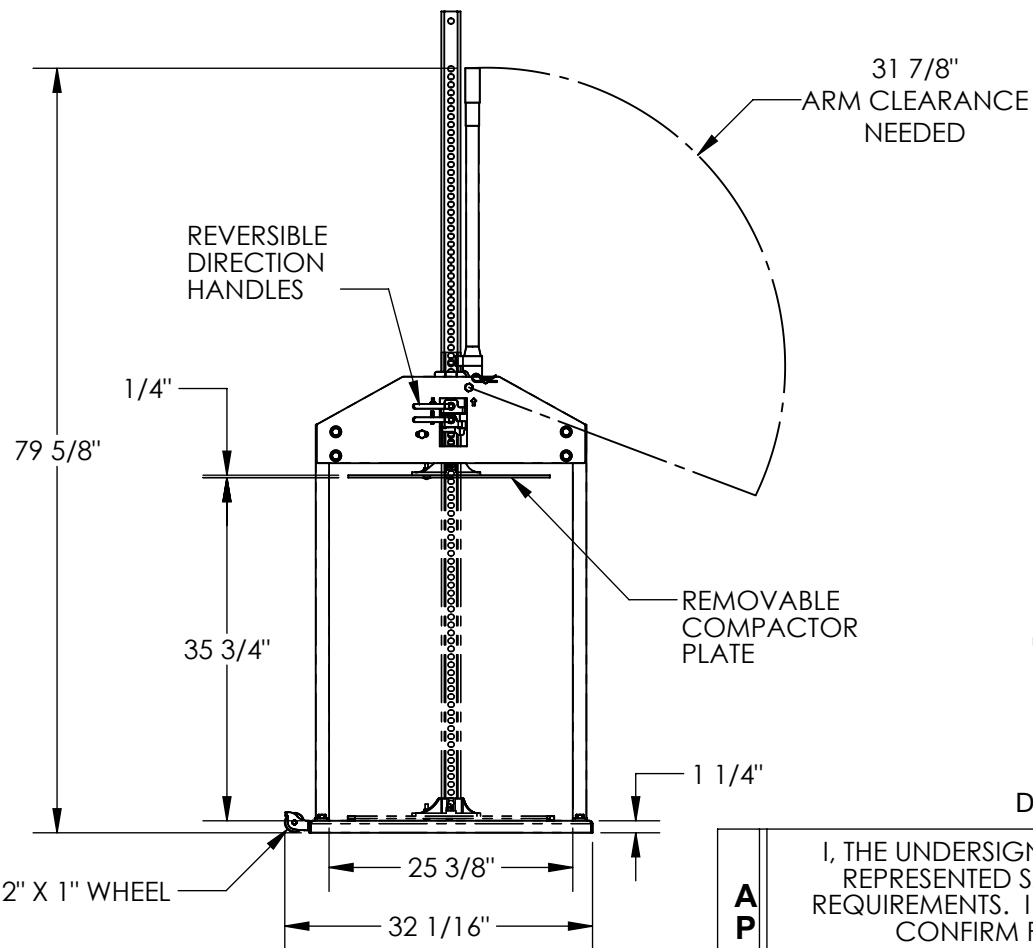
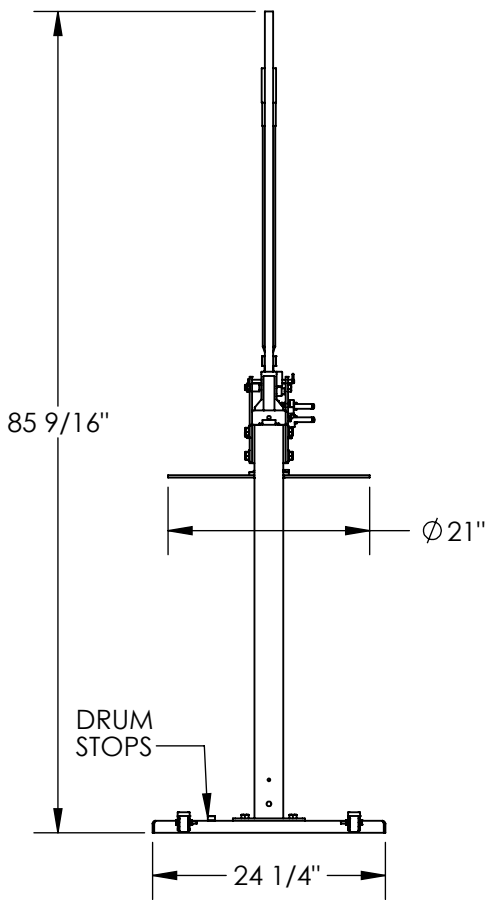


MECHANICAL TRASH COMPACTOR - MTC-55

APPROX WEIGHT: 166.42 lbs.
DOES NOT INCLUDE WEIGHT OF POWER OR PACKAGING!!!

*** ANY ADDITIONS, DELETIONS, OR OMISSIONS MUST BE CORRECTED ON THIS DRAWING AS THIS DRAWING WILL BE CONSIDERED ALL INCLUSIVE ***

ALL GRAPHICS PROVIDED ARE FOR REFERENCE ONLY. IF CERTAIN DIMENSIONS ARE CRITICAL PLEASE VERIFY THOSE DIMENSIONS WITH YOUR SALESPERSON



DIMENSION TOLERANCE $\pm 1/4$ "

STANDARD FEATURES

- MODEL NUMBER: MTC-55
- OVERALL WIDTH: 32 1/16"
- USABLE WIDTH: 25 3/8"
- OVERALL LENGTH: 24 1/4"
- USABLE LENGTH: 24 1/4"
- OVERALL HEIGHT: 85 9/16"
- SERVICE RANGE: 1 1/4" TO 35 3/4"
- COMPACTOR HEAD: 21"
- 7,000 LBS OF COMPACTING FORCE
- WHEELS: RUBBER - 2"
- DURABLE BAKED IN POWDER COATED BLUE FINISH
- DRUM USED: 55 GALLON

SPECIAL FEATURES

NONE

APPROVAL

I, THE UNDERSIGNED, AGREE THAT THE PRODUCT AS REPRESENTED SATISFIES DESIGN AND DIMENSION REQUIREMENTS. I ALSO ACKNOWLEDGE MY DUTY TO CONFIRM PRODUCT AND INSTALLATION COMPLIANCE WITH ALL APPLICABLE FEDERAL, STATE AND LOCAL REGULATIONS AND STANDARDS.

UNITS REQUIRING APPROVAL DRAWINGS OR MODIFIED ARE NON-RETURNABLE

As drawn As marked

Signed: _____ Date: _____

Printed Name: _____

LEAD TIME WILL START UPON RECEIPT OF SIGNED APPROVAL DRAWING

| | | |
|----------------------|------------------|------------|
| DISTRIBUTOR'S NAME: | | P.O.# |
| VESTIL MANUFACTURING | | X |
| DRAWN BY: WS | DATE: 02/03/2009 | W.O.# |
| REFERENCE: X | SCALE: 1:20 | X |
| QUOTED LEAD TIME: X | QUOTE # | SALES: X |
| | X | FILE NAME: |
| | | 22-007-007 |